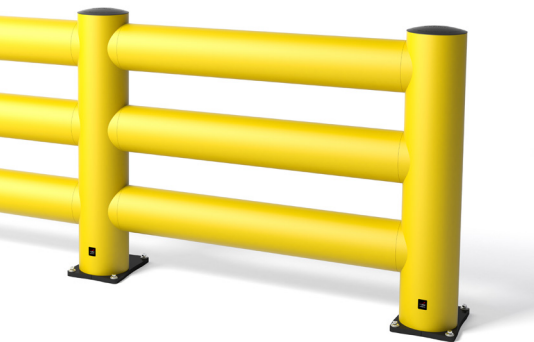




# TB SUPER TRIPLE BOPLAN SAFETY BARRIER SPECIFICATION SHEET

Revision: 3 December 2018 2:07 PM  
Boplan reference: TS400 ...



## PRODUCT SPECIFICATIONS

APPLICATION			
Environment	Extra-tough collision protection from heavy traffic with a high-impact risk.		
Advisory speed	10.5 km/h	For gross weight vehicle of 5000 kg	
	7.5 km/h	For gross weight vehicle of 10000 kg	
MATERIAL			
Posts and rails	Polyolefin - UV resistant - Fire class HB* - Non conductive - Impervious to most chemical products**		
STANDARD COLORS			
End post	Yellow		
Mid post	Yellow		
Impact tubes	Yellow		
BASEPLATES			
	Steel	Zinc Coated Steel	Stainless steel
Material	Steel 37	Steel 37	INOX (RVS 304)
Coating	Lacquered	Lacquered + electro plating	No lacquer / No coating
Color	High gloss black	Matt black	Natural color
FIXATIONS			
	ZINC COATED		INOX
HEAVY DUTY EXPANSION ANCHOR 	Length = 120 mm Size = M12 Drill hole diameter = 20 mm Max load (pull out) = 17 kN		Length = 120 mm Size = M12 Drill hole diameter = 20 mm Max load (pull out) = 10.7 kN
	THREADED ROD (WITH CHEMICAL ANCHOR) 		Length = 120 mm Size = M16 Drill hole diameter = 18 mm Max load (pull out) = 20 kN

\*Fire class HB = Slow burning; classification according to UL94: US Standard for Safety of Flammability of Plastics  
\*\*Ask your local sales office for resistance to specific chemicals.

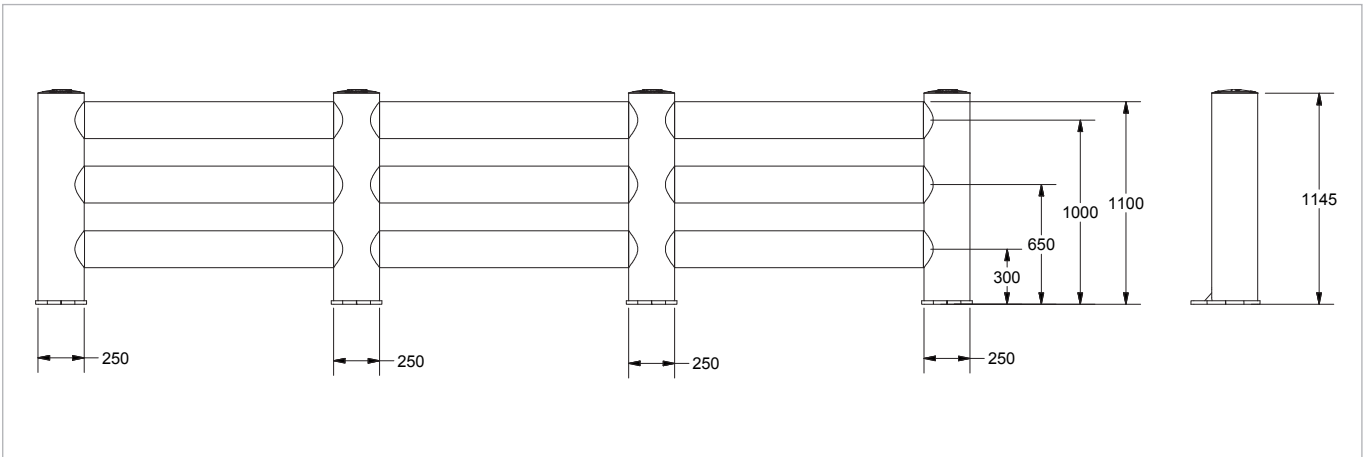
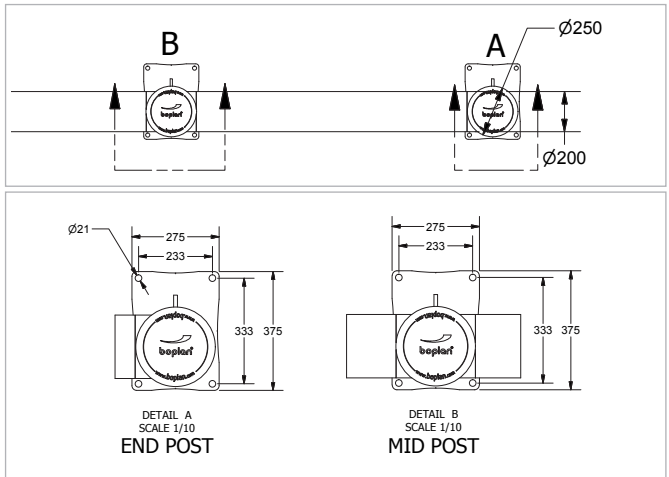


**FEATURES AND FUNCTIONALITY - TB SUPER TRIPLE**

SIZE	
Height end posts	1145 mm
Height mid post	1145 mm
Profile section tubes	Ø200 mm (11 mm thick)
Profile section end posts	Outer tube: Ø250 mm (11 mm thick) Inner profile: 112 mm x 112 mm (10 mm thick)
Profile section mid posts	Outer tube: Ø250 mm (11 mm thick) Inner profile: 112 mm x 112 mm (10 mm thick)
Standard rail length	1350 mm (other sizes: 750mm - 1750mm)
Baseplate	End Post: 375 mm x 275 mm (20 mm thick) Mid Post: 375 mm x 275 mm (20 mm thick)

REQUIREMENTS	
Concrete quality	minimum C25/30
Concrete floor plate thickness (mm)	minimum 150 mm
Concrete slab dimension around posts (mm)	900 (h) x 900 (w) x 600 (d)
Operational temperature	-10°C up to +40°C
Water and humidity	<b>Steel (standard):</b> dry indoor use only. <b>Zinc coated:</b> outdoor use in most environments. <b>RVS:</b> outdoor use or frequent exposure to water and humidity.

IMPACT PERFORMANCE		
Test conditions	Ambient temperature	20°C
	Tube length	1600mm (center - center)
90° impact	Fork lift weight	2300kg
	Floor	Industrial concrete
45° impact	Success criteria	Fork lift stopped by barrier
	Maximum impact on post	44500 Joule
	Maximum impact on tube	48300 Joule
	Maximum impact on tube	68300 Joule



S = Stainless steel (=inox = RVS)  
 Z = Zinc coated (=galvanized)  
 C = chamfered  
 YE = Yellow

CC = Center - Center distance

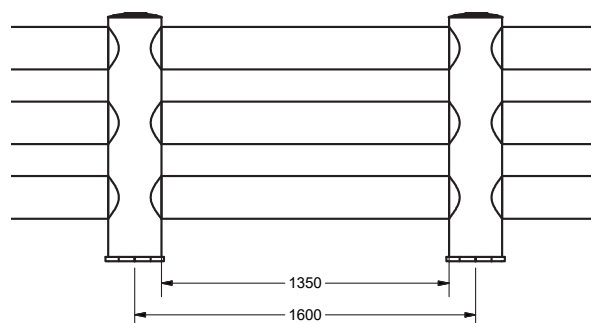


## REFERENCE LIST - TB SUPER TRIPLE

POSTS		
End post Left End post Left - SS End post Left - Zinc coated	TS4000-0001-EPLYE TS4000-0001-EPLYES TS4000-0001-EPLYEZ	
End post Right End post Right - SS End post Right - Zinc coated	TS4000-0001-EPRYE TS4000-0001-EPRYES TS4000-0001-EPRYEZ	
Mid post Mid post - Stainless steel Mid post - Zinc coated	TS4000-0001-MPYE TS4000-0001-MPYES TS4000-0001-MPYEZ	

CURVES		
Conn.tube Ø200 Curve 350mm - YE	TS4000-0350-C200YE	
Conn.tube Ø200 - 45° Curve 350mm - YE	TS4000-0350-C204YE	
Conn.tube Ø200 - 90° Curve 350mm - YE	TS4000-0350-C209YE	
Conn.tube Ø250 Curve 350mm - YE	TS4000-0350-C250YE	
Conn.tube Ø250 - 90° Curve 350mm - YE	TS4000-0350-C259YE	

RAIL SETS			
	Tube length	CC length	Reference
Standard rail	750 mm	1000 mm	TS4000-0750-1000YE
Standard rail	950 mm	1200 mm	TS4000-0950-1200YE
Standard rail	1150 mm	1400 mm	TS4000-1150-1400YE
Standard rail	1350 mm	1600 mm	TS4000-1350-1600YE
Standard rail	1550 mm	1800 mm*	TS4000-1550-1800YE
Standard rail	1750 mm	2000 mm*	TS4000-1750-2000YE
Short rail	600-1349 mm	850-1599 mm	TS4009-1599-SRYE
Long rail	1351-1749 mm	1601-2000 mm*	TS4009-2000-LRYE



\* The impact performance has not been tested for tube lengths > 1600 mm. Only use these lengths for non-critical applications.

S = Stainless steel (=inox = RVS)  
 Z = Zinc coated (=galvanized)  
 C = chamfered  
 YE = Yellow



## REFERENCE LIST - TB SUPER TRIPLE

### FIXED UNITS

TYPE	LENGTH	YELLOW		
no curves	750 mm	TS4000-0750-FUYE TS4000-0750-FUYES TS4000-0750-FUYEZ		
	751-1750 mm	TS4001-1750-FUYE TS4001-1750-FUYES TS4001-1750-FUYEZ		
1 curve	750 mm	TS4000-0750-FU1CYE TS4000-0750-FU1CYES TS4000-0750-FU1CYEZ + DEFINE CURVE		<p>CURVE RIGHT 1/ UP-DOWN-CONTINU 2/Ø200 - Ø250</p>
	751-1750 mm	TS4001-1750-FU1CYE TS4001-1750-FU1CYES TS4001-1750-FU1CYEZ + DEFINE CURVE		
2 curves	750 mm	TS4000-0750-FU2CYE TS4000-0750-FU2CYES TS4000-0750-FU2CYEZ + DEFINE CURVES		<p>CURVE LEFT 1/ UP-DOWN-CONTINU 2/Ø200 - Ø250</p> <p>CURVE RIGHT 1/ UP-DOWN-CONTINU 2/Ø200 - Ø250</p>
	751-1750 mm	DT4001-1750-FU2CYE DT4001-1750-FU2CYES DT4001-1750-FU2CYEZ + DEFINE CURVES		