

TB400 PLUS BOPLAN SAFETY BARRIER SPECIFICATION SHEET

Revision: 3 December 2018 9:08 AM
Boplan reference: TP4000 - ...



PRODUCT SPECIFICATIONS

APPLICATION

Environment	TB 400 Plus is used for creating walkways and protecting pedestrians from pallet trucks, lift trucks, forklifts or other vehicles.	
Advisory speed	9.0 km/h	For gross weight vehicle of 2500 kg
	6.5 km/h	For gross weight vehicle of 5000 kg

MATERIAL

Posts and rails	Polyolefin - UV resistant - Fire class HB* - Non conductive - Impervious to most chemical products**
-----------------	--



STANDARD COLORS

End post	Yellow
Mid post	Yellow
Impact tube	Yellow
Handrails	Yellow

BASEPLATES

	Steel	Zinc Coated Steel	Stainless steel
Material	Steel 37	Steel 37	INOX (RVS 304)
Coating	Lacquered	Lacquered + electro plating	No Itacquer / No coating
Color	High gloss black	Matt black	Natural color

FIXATIONS

	ZINC COATED	INOX
EXPANSION ANCHOR 	Length = 120 mm Size = M12 Drill hole diameter = 12 mm Max load (pull out) = 7.9 kN	Length = 120 mm Size = M12 Drill hole diameter = 12 mm Max load (pull out) = 7.9 kN
THREADED ROD (WITH CHEMICAL ANCHOR) 	Length = 120 mm Size = M12 Drill hole diameter = 14 mm Max load (pull out) = 16 kN	Length = 120 mm Size = M12 Drill hole diameter = 14 mm Max load (pull out) = 16 kN

*Fire class HB = Slow burning; classification according to UL94: US Standard for Safety of Flammability of Plastics

**Ask your local sales office for resistance to specific chemicals.

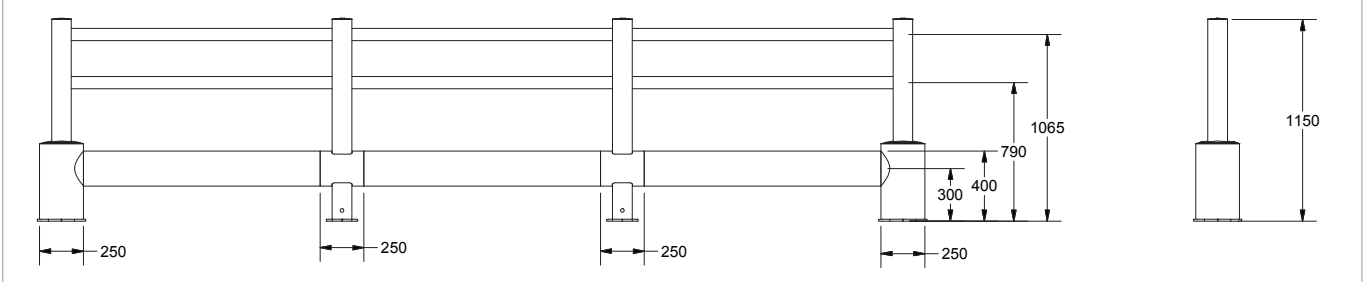
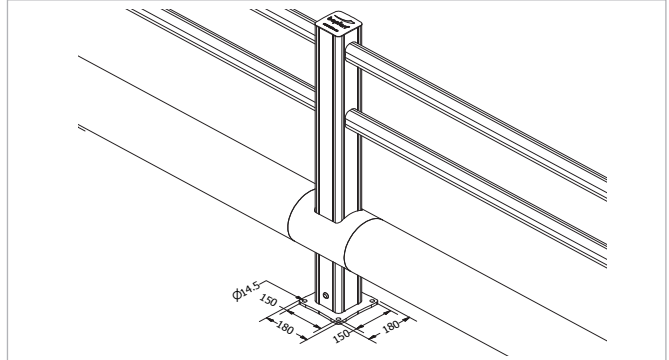
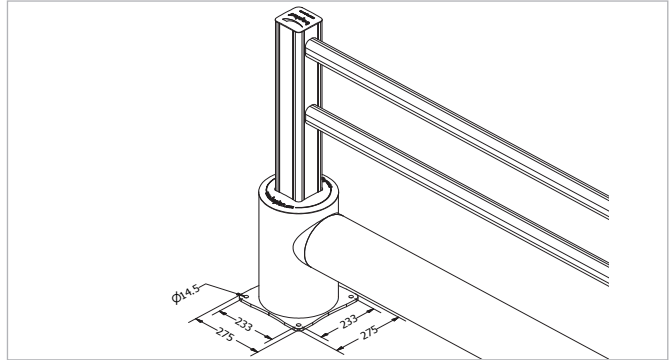


FEATURES AND FUNCTIONALITY TB400 PLUS

SIZE	
Height end posts	1150 mm
Height mid post	1150 mm
Profile section tubes	Ø200 mm (11 mm thick)
Profile section handrails	50 mm x 70 mm (6 mm thick)
Profile section end posts	Outer tube: Ø250 mm (11 mm thick) Inner profile: 112 mm x 112 mm (10 mm thick)
Profile section mid posts	Profile: 112 mm x 112 mm (10 mm thick)
Standard rail length	1350 mm (other sizes: 750 mm - 1750 mm)
Baseplate	End Post: 275 mm x 275 mm x 10 mm Mid Post: 180 mm x 180 mm x 10 mm

IMPACT PERFORMANCE		
Test conditions	Ambient temperature	20°C
	Tube length	1600mm (center - center)
90° impact	Fork lift weight	2300kg
	Floor	Industrial concrete
45° impact	Success criteria	Fork lift stopped by barrier
	Maximum impact on post	16100 Joule
	Maximum impact on tube	20100 Joule
	Maximum impact on tube	28400 Joule

REQUIREMENTS	
Concrete quality	minimum C25/30
Concrete floor plate thickness (mm)	minimum 150 mm
Concrete slab dimension around posts (mm)	600 (h) x 600 (w) x 300 (d)
Operational temperature	-10°C up to +40°C
Water and humidity	Steel (standard): dry indoor use only. Zinc coated: outdoor use in most environments. RVS: outdoor use or frequent exposure to water and humidity.



S = Stainless steel (=inox = RVS)
 Z = Zinc coated (=galvanized)
 C = chamfered
 YE = Yellow



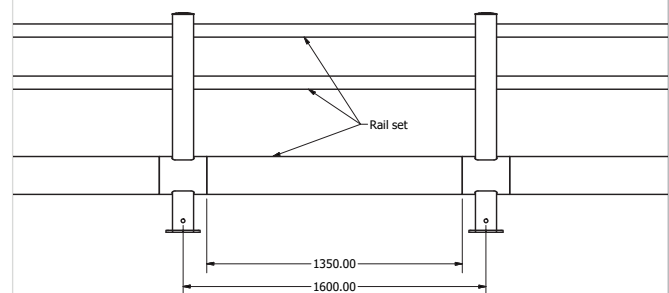
REFERENCE LIST - TB400 PLUS

POSTS		
End post End post - Stainless steel End post - Zinc coated	TP4000-0001-EPYE TP4000-0001-EPYES TP4000-0001-EPYEZ	
Mid post Mid post - Stainless steel Mid post - Zinc coated	TP4000-0001-MPYE TP4000-0001-MPYES TP4000-0001-MPYEZ	
T end post* T end post - Stainless steel* T end post - Zinc coated*	TP4000-0001-TPYE TP4000-0001-TPYES TP4000-0001-TPYEZ	
Corner post - 90° - Up Corner post - 90° - Up - SS Corner post - 90° - Up - ZC	TP4000-0001-CPUYE TP4000-0001-CPUYES TP4000-0001-CPUYEZ	
Corner post - 90° - Down Corner post - 90° - Down - SS Corner post - 90° - Down - Zc	TP4000-0001-CPDYE TP4000-0001-CPDYES TP4000-0001-CPDYEZ	

* 2 caps included to close handrail hole

CURVES		
Conn.tube Ø200 Curve 350mm - YE	TP4000-0350-C200YE	
Conn.tube Ø200 - 45° Curve 350mm - YE	TP4000-0350-C204YE	
Conn.tube Ø200 - 90° Curve 350mm - YE	TP4000-0350-C209YE	
Conn.tube Ø250 Curve 350mm - YE	TP4000-0350-C250YE	
Conn.tube Ø250 - 90° Curve 350mm - YE	TP4000-0350-C259YE	

RAIL SETS			
	Tube length	CC length	Reference
Standard rail	750 mm	1000 mm	TP4000-0750-1000YE
Standard rail	950 mm	1200 mm	TP4000-0950-1200YE
Standard rail	1150 mm	1400 mm	TP4000-1150-1400YE
Standard rail	1350 mm	1600 mm	TP4000-1350-1600YE
Standard rail	1550 mm	1800 mm*	TP4000-1550-1800YE
Standard rail	1750 mm	2000 mm*	TP4000-1750-2000YE
Short rail	600-1349 mm	850-1599 mm	TP4009-1599-SRYE
Long rail	1351-1749 mm	1601-2000 mm*	TP4009-2000-LRYE



* The impact performance has not been tested for tube lengths > 1600 mm. Only use these lengths for non-critical applications.

S = Stainless steel (=inox = RVS)
 Z = Zinc coated (=galvanized)
 C = chamfered
 YE = Yellow



REFERENCE LIST - TB400 PLUS

FIXED UNITS				
TYPE	LENGTH	YELLOW		
no curves	750 mm	TP4000-0750-FUYE TP4000-0750-FUYES TP4000-0750-FUYEZ		
	751-1750 mm	TP4001-1750-FUYE TP4001-1750-FUYES TP4001-1750-FUYEZ		
1 curve	750 mm	TP4000-0750-FU1CYE TP4000-0750-FU1CYES TP4000-0750-FU1CYEZ + DEFINE CURVE		<p>DEFINE AS LEFT OR RIGHT 1/ UP-DOWN-CONTINU 2/Ø200 - Ø250</p>
	751-1750 mm	TP4001-1750-FU1CYE TP4001-1750-FU1CYES TP4001-1750-FU1CYEZ + DEFINE CURVE		
2 curves	750 mm	TP4000-0750-FU2CYE TP4000-0750-FU2CYES TP4000-0750-FU2CYEZ + DEFINE CURVES		<p>DEFINE AS LEFT OR RIGHT 1/ UP-DOWN-CONTINU 2/Ø200 - Ø250</p>
	751-1750 mm	TP4001-1750-FU2CYE TP4001-1750-FU2CYES TP4001-1750-FU2CYEZ + DEFINE CURVES		