

TB400 DOUBLE PLUS BOPLAN SAFETY BARRIER SPECIFICATION SHEET

Revision: 3 December 2018 3:48 PM
Boplan reference: DP4000 - ...



PRODUCT SPECIFICATIONS

APPLICATION

Environment	Double guardrail with extra handrail to separate heavy vehicles from pedestrian zones.	
Advisory speed	8.0 km/h	For gross weight vehicle of 5000 kg
	6.0 km/h	For gross weight vehicle of 10000 kg

MATERIAL

Posts and rails	Polyolefin - UV resistant - Fire class HB* - Non conductive - Impervious to most chemical products**
-----------------	--

STANDARD COLORS

End post	Yellow
Mid post	Yellow
Impact tube	Yellow
Handrails	Yellow

BASEPLATES

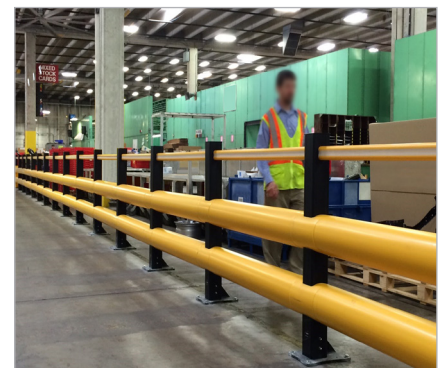
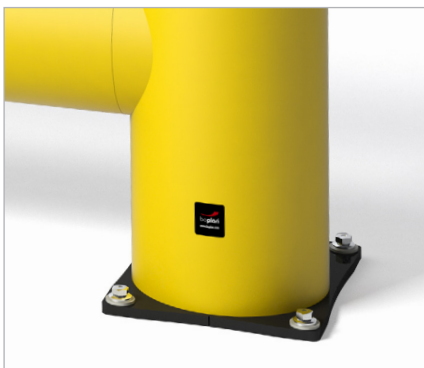
	Steel	Zinc Coated Steel	Stainless steel
Material	Steel 37	Steel 37	INOX (RVS 304)
Coating	Lacquered	Lacquered + electro plating	No lacquer / No coating
Color	High gloss black	Matt black	Natural color

FIXATIONS

	ZINC COATED	INOX
HEAVY DUTY EXPANSION ANCHOR 	Length = 120 mm Size = M12 Drill hole diameter = 20 mm Max load (pull out) = 17 kN	Length = 120 mm Size = M12 Drill hole diameter = 20 mm Max load (pull out) = 10.7 kN
THREADED ROD (WITH CHEMICAL ANCHOR) 	Length = 120 mm Size = M16 Drill hole diameter = 18 mm Max load (pull out) = 20 kN	Length = 120 mm Size = M16 Drill hole diameter = 18 mm Max load (pull out) = 20 kN

*Fire class HB = Slow burning; classification according to UL94: US Standard for Safety of Flammability of Plastics

**Ask your local sales office for resistance to specific chemicals.

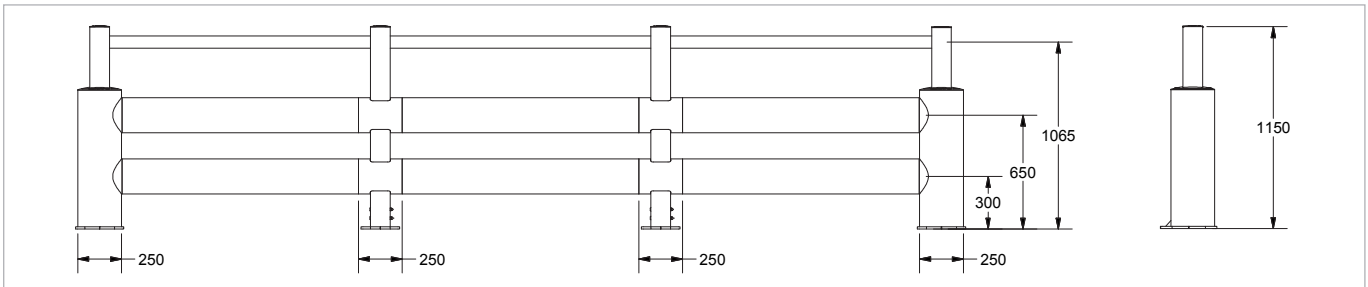
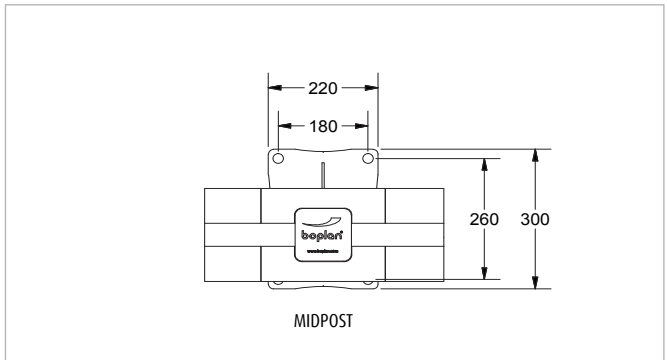
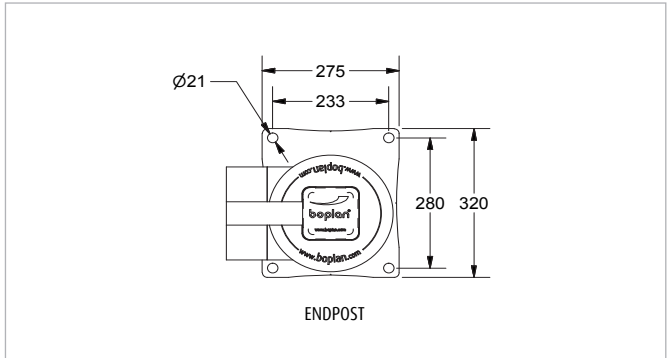


FEATURES AND FUNCTIONALITY TB400 DOUBLE PLUS

SIZE	
Height end posts	1150 mm
Height mid post	1150 mm
Profile section tubes	Ø200 mm (11 mm thick)
Profile section handrails	50 mm x 70 mm (6 mm thick)
Profile section end posts	Outer tube: Ø250 mm (11 mm thick) Inner profile: 112 mm x 112 mm (10 mm thick)
Profile section mid posts	Profile: 112 mm x 112 mm (10 mm thick)
Standard rail length	1350 mm (other sizes: 750 mm - 1750 mm)
Baseplate	End Post: 275 mm x 320 mm x 12 mm Mid Post: 220 mm x 300 mm x 12 mm

IMPACT PERFORMANCE		
Test conditions	Ambient temperature	20°C
	Tube length	1600mm (center - center)
	Fork lift weight	2300kg
	Floor	Industrial concrete
90° impact	Success criteria	Fork lift stopped by barrier
	Maximum impact on post	30700 Joule
45° impact	Maximum impact on tube	39100 Joule
	Maximum impact on tube	55300 Joule

REQUIREMENTS	
Concrete quality	minimum C25/30
Concrete floor plate thickness (mm)	minimum 150 mm
Concrete slab dimension around posts (mm)	800 (h) x 800 (w) x 600 (d)
Operational temperature	-10°C up to +40°C
Water and humidity	Steel (standard): dry indoor use only. Zinc coated: outdoor use in most environments. RVS: outdoor use or frequent exposure to water and humidity.



REFERENCE LIST - TB400 DOUBLE PLUS

POSTS		
End post Left End post Left - Stainless steel End post Left - Zinc coated	DP4000-0001-EPLYE DP4000-0001-EPLYES DP4000-0001-EPLYEZ	
Corner post Left - 90° - Up Corner post Left - 90° - Up - SS Corner post Left - 90° - Up - ZC	DP4000-0001-CPULYE DP4000-0001-CPULYES DP4000-0001-CPULYEZ	
Corner post Left - 90° - Down Corner post Left - 90° - Down - SS Corner post Left - 90° - Down - ZC	DP4000-0001-CPDLYE DP4000-0001-CPDLYES DP4000-0001-CPDLYEZ	
End post Right End post Right - Stainless steel End post Right - Zinc coated	DP4000-0001-EPRYE DP4000-0001-EPRYES DP4000-0001-EPRYEZ	
Corner post Right - 90° - Up Corner post Right - 90° - Up - SS Corner post Right - 90° - Up - ZC	DP4000-0001-CPURYE DP4000-0001-CPURYES DP4000-0001-CPURYEZ	
Corner post Right - 90° - Down Corner post Right - 90° - Down - SS Corner post Right - 90° - Down - ZC	DP4000-0001-CPDRYE DP4000-0001-CPDRYES DP4000-0001-CPDRYEZ	
Mid post Mid post - Stainless steel Mid post - Zinc coated	DP4000-0001-MPYE DP4000-0001-MPYES DP4000-0001-MPYEZ	
T end post Left* T end post Left - Stainless steel* T end post Left - Zinc coated*	References coming soon	
T end post Right* T end post Right - Stainless steel* T end post Right - Zinc coated*	References coming soon	

* 1 caps included to close handrail tube

CURVES		
Conn.tube Ø200 Curve 350mm - YE	DP4000-0350-C200YE	
Conn.tube Ø200 - 45° Curve 350mm - YE	DP4000-0350-C204YE	
Conn.tube Ø200 - 90° Curve 350mm - YE	DP4000-0350-C209YE	
Conn.tube Ø250 Curve 350mm - YE	DP4000-0350-C250YE	
Conn.tube Ø250 - 90° Curve 350mm - YE	DP4000-0350-C259YE	

RAIL SETS			
	Tube length	CC length	Reference
Standard rail	750 mm	1000 mm	DP4000-0750-1000YE
Standard rail	950 mm	1200 mm	DP4000-0950-1200YE
Standard rail	1150 mm	1400 mm	DP4000-1150-1400YE
Standard rail	1350 mm	1600 mm	DP4000-1350-1600YE
Standard rail	1550 mm	1800 mm*	DP4000-1550-1800YE
Standard rail	1750 mm	2000 mm*	DP4000-1750-2000YE
Short rail	600-1349 mm	850-1599 mm	DP4009-1599-SRYE
Long rail	1351-1749 mm	1601-2000 mm*	DP4009-2000-LRYE

* The impact performance has not been tested for tube lengths > 1600 mm. Only use these lengths for non-critical applications.

Boplan bvba Head Office | Muizelstraat 12, 8560 Moorsele, Belgium | +32 56 20 64 20 | sales@boplan.com | www.boplan.com

DISCLAIMER: ALL PRODUCT SPECIFICATIONS AND DATA ARE SUBJECT TO CHANGE WITHOUT NOTICE TO IMPROVE RELIABILITY, FUNCTION OR DESIGN OR OTHERWISE.
© Boplan, the Boplan logo, Flex Impact and RackBull are trademarks of Boplan bvba. All other trademarks are property of their respective owners.

S = Stainless steel (=inox = RVS)
 Z = Zinc coated (=galvanized)
 C = chamfered
 YE = Yellow



REFERENCE LIST - TB400 DOUBLE PLUS

FIXED UNITS				
TYPE	LENGTH	YELLOW		
no curves	750 mm	DP4000-0750-FUYE DP4000-0750-FUYES DP4000-0750-FUYEZ		
	751-1750 mm	DP4001-1750-FUYE DP4001-1750-FUYES DP4001-1750-FUYEZ		
1 curve	750 mm	DP4000-0750-FU1CYE DP4000-0750-FU1CYES DP4000-0750-FU1CYEZ + DEFINE CURVE		
	751-1750 mm	DP4001-1750-FU1CYE DP4001-1750-FU1CYES DP4001-1750-FU1CYEZ + DEFINE CURVE		
2 curves	750 mm	DP4000-0750-FU2CYE DP4000-0750-FU2CYES DP4000-0750-FU2CYEZ + DEFINE CURVES		
	751-1750 mm	DP4001-1750-FU2CYE DP4001-1750-FU2CYES DP4001-1750-FU2CYEZ + DEFINE CURVES		