

# TB260 PLUS BOPLAN SAFETY BARRIER SPECIFICATION SHEET

Revision: 3 December 2018 3:44 PM  
Boplan reference: TP2600 - ...



## PRODUCT SPECIFICATIONS

### APPLICATION

Environment	TB260 Plus is used for creating walkways and protecting pedestrians from pallet trucks, lift trucks, forklifts or other vehicles. The lower tube prevents goods or pallets sliding under the barriers and hitting pedestrians or causing damage to machines or equipment.	
Advisory speed	7.5 km/h	For gross weight vehicle of 2500 kg
	5.5 km/h	For gross weight vehicle of 5000 kg

### MATERIAL

Posts and rails	Polyolefin - UV resistant - Fire class HB <sup>§</sup> - Non conductive - Impervious to most chemical products <sup>**</sup>
-----------------	--


### STANDARD COLORS

End post	Yellow
Mid post	Yellow
Impact tube	Yellow
Handrails	Yellow

### BASEPLATES

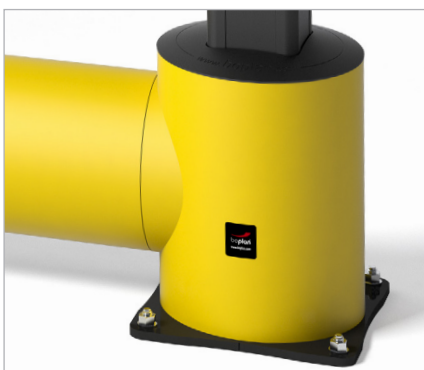
	Steel	Zinc Coated Steel	Stainless steel
Material	Steel 37	Steel 37	INOX (RVS 304)
Coating	Lacquered	Lacquered + electro plating	No lacquer / No coating
Color	High gloss black	Matt black	Natural color

### FIXATIONS

	ZINC COATED	INOX
EXPANSION ANCHOR 	Length = 120 mm Size = M12 Drill hole diameter = 12 mm Max load (pull out) = 7.9 kN	Length = 120 mm Size = M12 Drill hole diameter = 12 mm Max load (pull out) = 7.9 kN
THREADED ROD (WITH CHEMICAL ANCHOR) 	Length = 120 mm Size = M12 Drill hole diameter = 14 mm Max load (pull out) = 16 kN	Length = 120 mm Size = M12 Drill hole diameter = 14 mm Max load (pull out) = 16 kN

<sup>§</sup>Fire class HB = Slow burning; classification according to UL94: US Standard for Safety of Flammability of Plastics

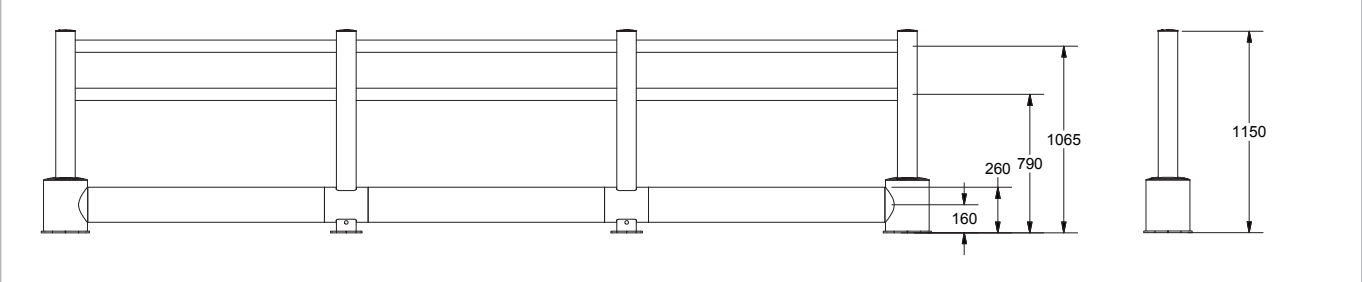
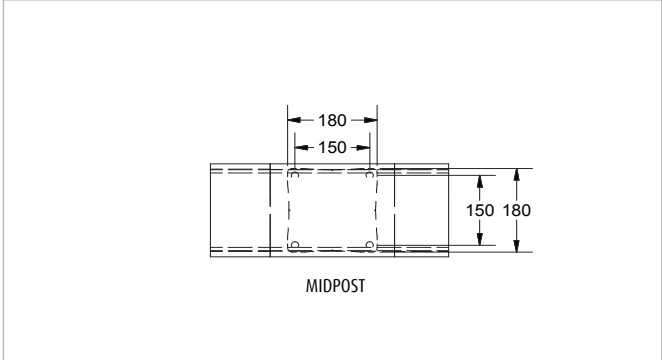
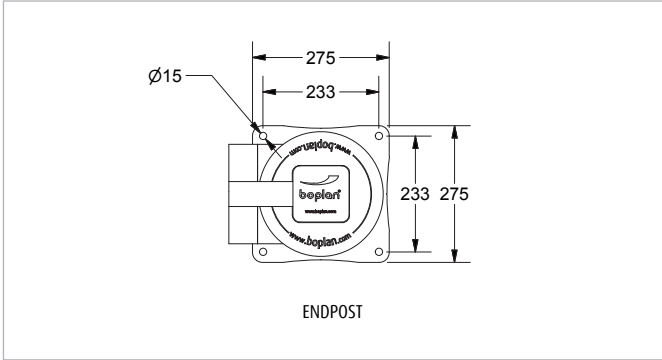
<sup>\*\*</sup>Ask your local sales office for resistance to specific chemicals.



**FEATURES AND FUNCTIONALITY TB260 PLUS**

SIZE		
Height end posts	1150 mm	
Height mid post	1150 mm	
Profile section tubes	Ø200 mm (11 mm thick)	
Profile section handrails	50 mm x 70 mm (6 mm thick)	
Profile section end posts	Outer tube: Ø250 mm (11 mm thick) Inner profile: 112 mm x 112 mm (10 mm thick)	
Profile section mid posts	Profile: 112 mm x 112 mm (10 mm thick)	
Standard rail length	1350 mm (other sizes: 750 mm - 1750 mm)	
Baseplate	End Post: 275 mm x 275 mm x 10 mm Mid Post: 180 mm x 180 mm x 10 mm	
IMPACT PERFORMANCE		
Test conditions	Ambient temperature	20°C
	Tube length	1600mm (center - center)
	Fork lift weight	2300kg
	Floor	Industrial concrete
90° impact	Maximum impact on post	12000 Joule
	Maximum impact on tube	21200 Joule
45° impact	Maximum impact on tube	30000 Joule

REQUIREMENTS	
Concrete quality	minimum C25/30
Concrete floor plate thickness (mm)	minimum 150 mm
Concrete slab dimension around posts (mm)	600 (h) x 600 (w) x 300 (d)
Operational temperature	-10°C up to +40°C
Water and humidity	<b>Steel</b> (standard): dry indoor use only. <b>Zinc coated:</b> outdoor use in most environments. <b>RVS:</b> outdoor use or frequent exposure to water and humidity.



S = Stainless steel (=inox = RVS)  
 Z = Zinc coated (=galvanized)  
 C = chamfered  
 YE = Yellow



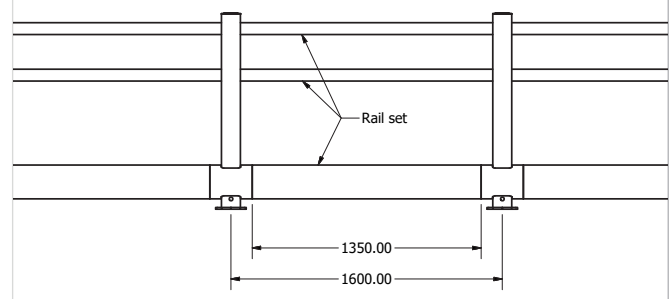
## REFERENCE LIST - TB260 PLUS

POSTS		
End post End post - Stainless steel End post - Zinc coated	TP2600-0001-EPYE TP2600-0001-EPYES TP2600-0001-EPYEZ	
Mid post Mid post - Stainless steel Mid post - Zinc coated	TP2600-0001-MPYE TP2600-0001-MPYES TP2600-0001-MPYEZ	
T end post* T end post - Stainless steel* T end post - Zinc coated*	TP2600-0001-TPYE TP2600-0001-TPYES TP2600-0001-TPYEZ	
Corner post - 90° - Up Corner post - 90° - Up - SS Corner post - 90° - Up - ZC	TP2600-0001-CPUYE TP2600-0001-CPUYES TP2600-0001-CPUYEZ	
Corner post - 90° - Down Corner post - 90° - Down - SS Corner post - 90° - Down - ZC	TP2600-0001-CPDYE TP2600-0001-CPDYES TP2600-0001-CPDYEZ	

\* 2 caps included to close handrail hole

CURVES		
Conn.tube Ø200 Curve 350mm - YE	TP2600-0350-C200YE	
Conn.tube Ø200 - 45° Curve 350mm - YE	TP2600-0350-C204YE	
Conn.tube Ø200 - 90° Curve 350mm - YE	TP2600-0350-C209YE	
Conn.tube Ø250 Curve 350mm - YE	TP2600-0350-C250YE	
Conn.tube Ø250 - 90° Curve 350mm - YE	TP2600-0350-C259YE	

RAIL SETS			
	Tube length	CC length	Reference
Standard rail	750 mm	1000 mm	TP2600-0750-1000YE
Standard rail	950 mm	1200 mm	TP2600-0950-1200YE
Standard rail	1150 mm	1400 mm	TP2600-1150-1400YE
Standard rail	1350 mm	1600 mm	TP2600-1350-1600YE
Standard rail	1550 mm	1800 mm*	TP2600-1550-1800YE
Standard rail	1750 mm	2000 mm*	TP2600-1750-2000YE
Short rail	600-1349 mm	850-1599 mm	TP2609-1599-SRYE
Long rail	1351-1749 mm	1601-2000 mm*	TP2609-2000-LRYE



\* The impact performance has not been tested for tube lengths > 1600 mm. Only use these lengths for non-critical applications.

S = Stainless steel (=inox = RVS)  
 Z = Zinc coated (=galvanized)  
 C = chamfered  
 YE = Yellow



**REFERENCE LIST - TB260 PLUS**

FIXED UNITS				
TYPE	LENGTH	YELLOW		
no curves	750 mm	TP2600-0750-FUYE TP2600-0750-FUYES TP2600-0750-FUYEZ		
	751-1750 mm	TP2601-1750-FUYE TP2601-1750-FUYES TP2601-1750-FUYEZ		
1 curve	750 mm	TP2600-0750-FU1CYE TP2600-0750-FU1CYES TP2600-0750-FU1CYEZ + DEFINE CURVE		
	751-1750 mm	TP2601-1750-FU1CYE TP2601-1750-FU1CYES TP2601-1750-FU1CYEZ + DEFINE CURVE		
2 curves	750 mm	TP2600-0750-FU2CYE TP2600-0750-FU2CYES TP2600-0750-FU2CYEZ + DEFINE CURVES		
	751-1750 mm	TP2601-1750-FU2CYE TP2601-1750-FU2CYES TP2601-1750-FU2CYEZ + DEFINE CURVES		