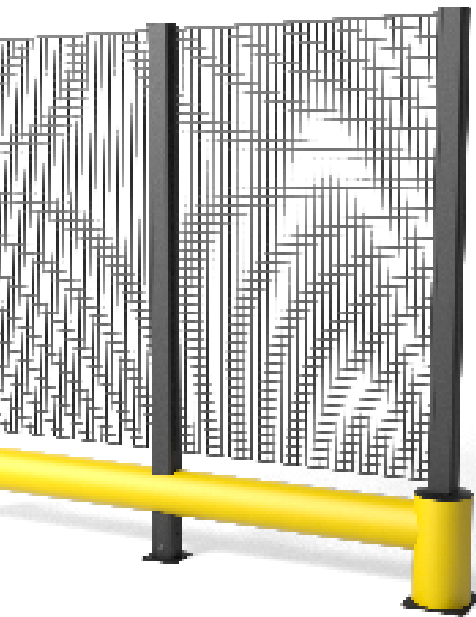


TB400 PLUS FENCE BOPLAN SAFETY BARRIER SPECIFICATION SHEET

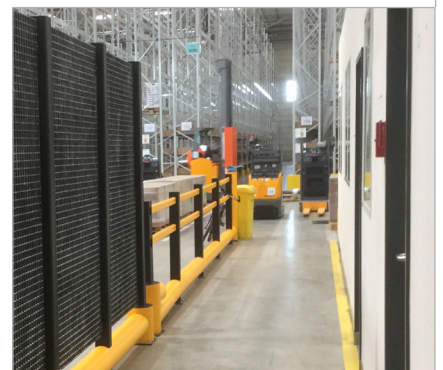
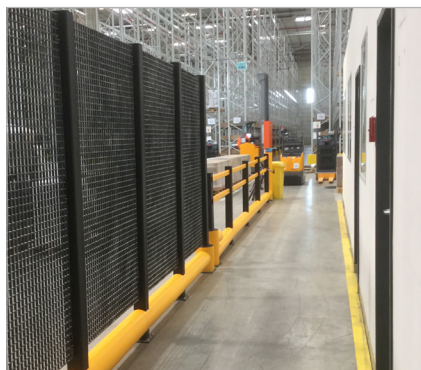
Boplan reference: TF4000
Revision: 3 December 2018 11:46 AM



PRODUCT SPECIFICATIONS

APPLICATION	
Environment	TB400 Plus Fence provides an effective crash protection with machine guard fencing.
Compliance	The narrow mesh size allows a close safety distance of 200mm towards the danger. (According machine directive 2006/42/EC)
Advisory speed	9.0 km/h For gross weight vehicle of 2500 kg
	6.5 km/h For gross weight vehicle of 5000 kg
MATERIAL	
Posts	Polyolefin - UV resistant - Fire class HB* - Non conductive - Impervious to most chemical products**
Mesh	Glass fiber reinforced composite
STANDARD COLORS	
End post	Yellow
Mid post	Yellow
Impact tube	Yellow
Mesh	Black
BASEPLATES	
	Steel
Material	Steel 37
Coating	Lacquered
Color	High gloss black
FIXATIONS	
	ZINC COATED
EXPANSION ANCHOR 	Length = 120 mm Size = M12 Drill hole diameter = 12 mm Max load (pull out) = 7.9 kN On request
THREADED ROD (WITH CHEMICAL ANCHOR) 	Length = 120 mm Size = M12 Drill hole diameter = 14 mm Max load (pull out) = 16 kN On request

*Fire class HB = Slow burning; classification according to UL94: US Standard for Safety of Flammability of Plastics
**Ask your local sales office for resistance to specific chemicals.



FEATURES AND FUNCTIONALITY

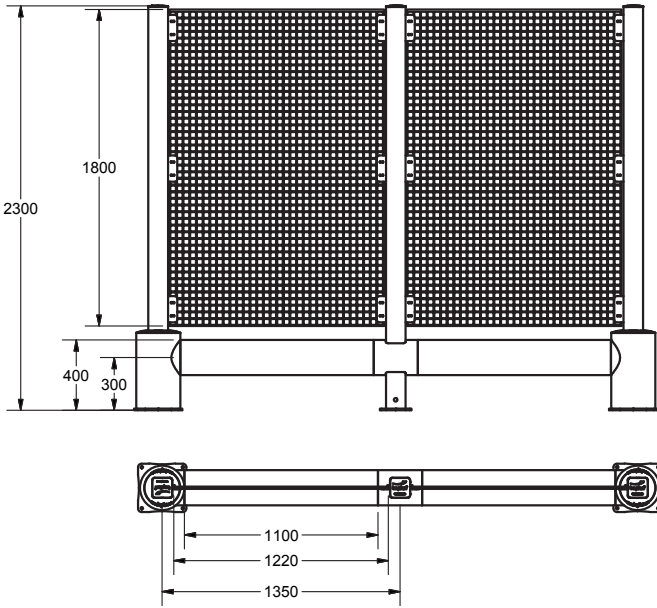
SIZE		
Height end posts	2300 mm	
Height mid post	2300 mm	
Profile section tubes	Ø200 mm (11 mm thick)	
Mesh	1220 mm x 1800 mm (13mm thick) Mesh inner dimension 33 mm x 33 mm	
Profile section end posts	Outer tube: Ø250 mm (11 mm thick) Inner profile: 112 mm x 112 mm (10 mm thick)	
Profile section mid posts	Profile: 112 mm x 112 mm (10 mm thick)	
Standard rail length	1350 mm (center - center dimension) Other sizes: 850 mm - 1349 mm (center - center dimension)	
Baseplate	End Post: 275 mm x 275 mm x 10 mm Mid Post: 180 mm x 180 mm x 10 mm	
IMPACT PERFORMANCE		
Test conditions	Ambient temperature 20°C Tube length 1600mm (center - center) Fork lift weight 2300kg Floor Industrial concrete Success criteria Fork lift stopped by barrier	
90° impact	Maximum impact on post	16100 Joule
	Maximum impact on tube	20100 Joule
45° impact	Maximum impact on tube	28400 Joule
Impact resistance of mesh	Static point load of 450 N gives a maximum deflection of 15.7 mm.	

REQUIREMENTS	
Concrete quality	minimum C25/30
Concrete floor plate thickness (mm)	minimum 150 mm
Concrete slab dimension around posts (mm)	600 (h) x 600 (w) x 300 (d)
Operational temperature	-10°C up to +40°C
Water and humidity	Steel (standard): dry indoor use only. Zinc coated: outdoor use in most environments. RVS: outdoor use or frequent exposure to water and humidity.

REFERENCE LIST - TB400 PLUS FENCE

POSTS			
End post - YE	End Corner post - YE - 90° - Up	End Corner post - YE - 90° - Down	Mid post - YE
TF4000-0001-EPYE	TF4000-0001-CPUYE	TF4000-0001-CPDYE	TF4000-0001-MPYE

RAIL SETS			
	Tube length	CC length	REFERENCE
Standard rail	1100 mm	1350 mm	TF4000-1100-1350YE
Short rail	600-1099 mm	850-1349 mm	TF4000-1349 - SRYE



CURVES	
Conn.tube Ø250mm - 90° - Curve 350mm - YE	TF4000-0350-C259YE