

TB 260 PLUS FENCE BOPLAN SAFETY BARRIER SPECIFICATION SHEET

Boplan reference: TF2600- ...
Revision: 3 December 2018 11:41 AM



PRODUCT SPECIFICATIONS

APPLICATION

Environment	TB 260 Plus Fence provides an effective low to the ground crash protection with machine guard fencing. The low centre of gravity prevents goods or pallets sliding under the barrier.	
Compliance	The narrow mesh size allows a close safety distance of 200mm towards the danger. (According machine directive 2006/42/EC)	
Advisory speed	7.5 km/h	For gross weight vehicle of 2500 kg
	5.5 km/h	For gross weight vehicle of 5000 kg

MATERIAL

Posts	Polyolefin - UV resistant - Fire class HB [*] - Non conductive - Impervious to most chemical products ^{**}	
Mesh	Glass fiber reinforced composite	



STANDARD COLORS

End post	Yellow
Mid post	Yellow
Impact tube	Yellow
Mesh	Black

BASEPLATES

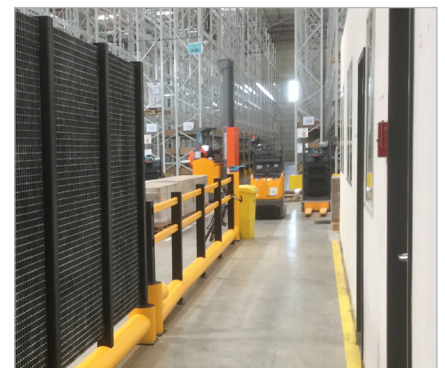
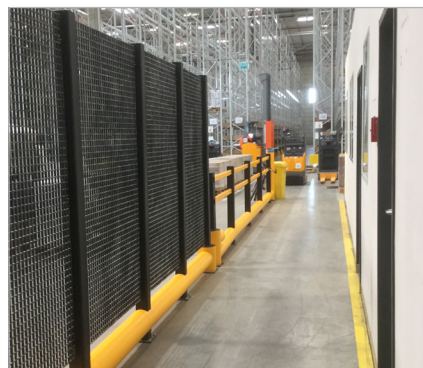
	Steel
Material	Steel 37
Coating	Lacquered
Color	High gloss black

FIXATIONS

	ZINC COATED
 EXPANSION ANCHOR	Length = 120 mm Size = M12 Drill hole diameter = 12 mm Max load (pull out) = 7.9 kN
 THREADED ROD (WITH CHEMICAL ANCHOR)	Length = 120 mm Size = M12 Drill hole diameter = 14 mm Max load (pull out) = 16 kN

*Fire class HB = Slow burning; classification according to UL94: US Standard for Safety of Flammability of Plastics

**Ask your local sales office for resistance to specific chemicals.



FEATURES AND FUNCTIONALITY

SIZE		
Height end posts	2300 mm	
Height mid post	2300 mm	
Profile section tubes	Ø200 mm (11 mm thick)	
Mesh	1220 mm x 1800 mm (13mm thick) Mesh inner dimension 33 mm x 33 mm	
Profile section end posts	Outer tube: Ø250 mm (11 mm thick) Inner profile: 112 mm x 112 mm (10 mm thick)	
Profile section mid posts	Profile: 112 mm x 112 mm (10 mm thick)	
Standard rail length	1350 mm (center - center dimension) Other sizes: 850 mm - 1349 mm (center - center dimension)	
Baseplate	End Post: 275 mm x 275 mm x 10 mm Mid Post: 180 mm x 180 mm x 10 mm	
IMPACT PERFORMANCE		
Test conditions	Ambient temperature 20°C Tube length 1600mm (center - center) Fork lift weight 2300kg Floor Industrial concrete Success criteria Fork lift stopped by barrier	
90° impact	Maximum impact on post	12000 Joule
	Maximum impact on tube	21200 Joule
45° impact	Maximum impact on tube	30000 Joule
Impact resistance of mesh	Static point load of 450 N gives a maximum deflection of 15.7 mm.	

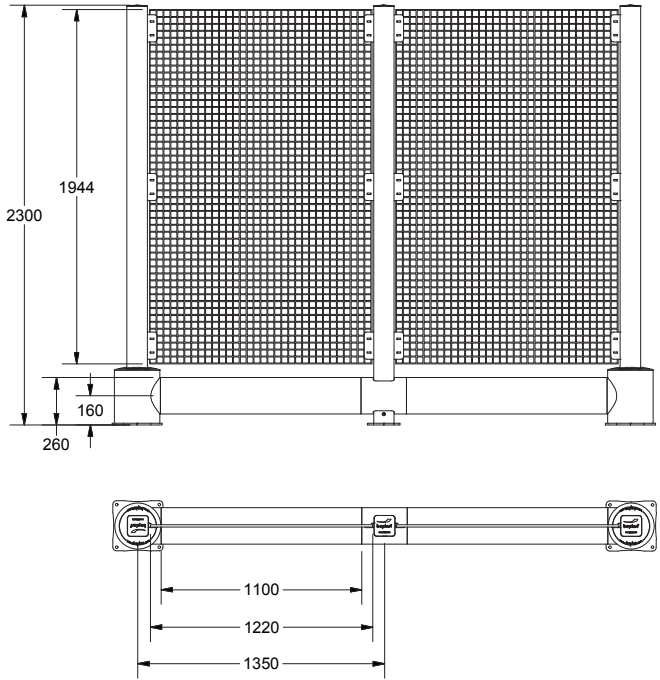
REQUIREMENTS	
Concrete quality	minimum C25/30
Concrete floor plate thickness (mm)	minimum 150 mm
Concrete slab dimension around posts (mm)	600 (h) x 600 (w) x 300 (d)
Operational temperature	-10°C up to +40°C
Water and humidity	Steel (standard): dry indoor use only. Zinc coated: outdoor use in most environments. RVS: outdoor use or frequent exposure to water and humidity.

REFERENCE LIST - TB260 PLUS FENCE

POSTS

End post - YE	End Corner post - YE - 90° - Up	End Corner post - YE - 90° - Down	Mid post - YE
TF2600-0001-EPYE	TF2600-0001-CPUYE	TF2600-0001-CPDYE	TF2600-0001-MPYE

RAIL SETS

	Tube length	CC length	REFERENCE	
Standard rail	1100 mm	1350 mm	TF2600-1100-1350YE	
Short rail	600-1099 mm	850-1349 mm	TF2600-1349 - SRYE	

CURVES

Conn.tube Ø250mm - 90° - Curve 350mm - YE	TF2600-0350-C259YE	
---	--------------------	--