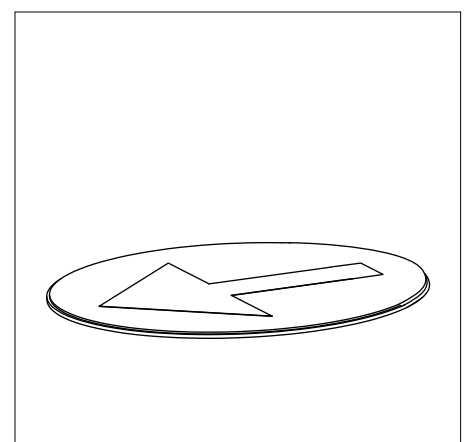
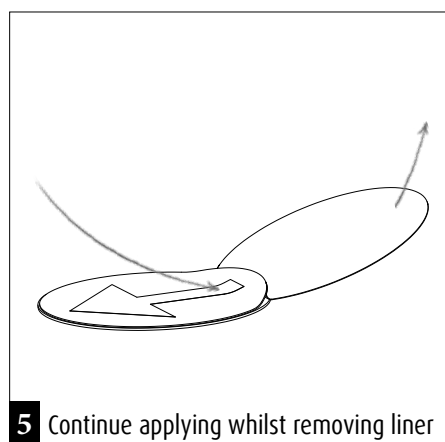
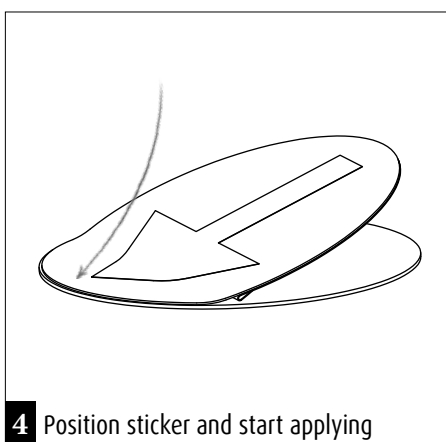
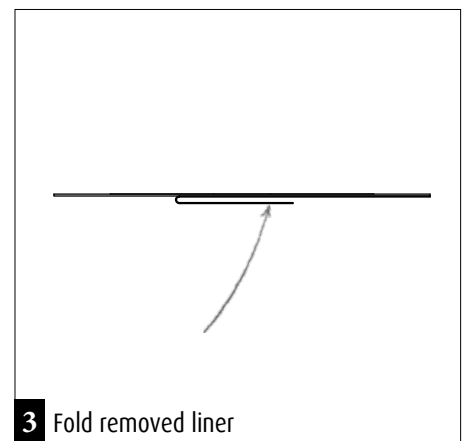
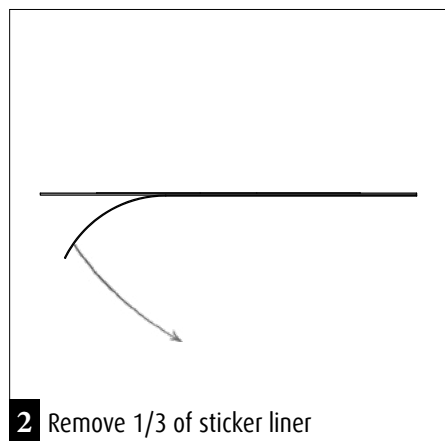
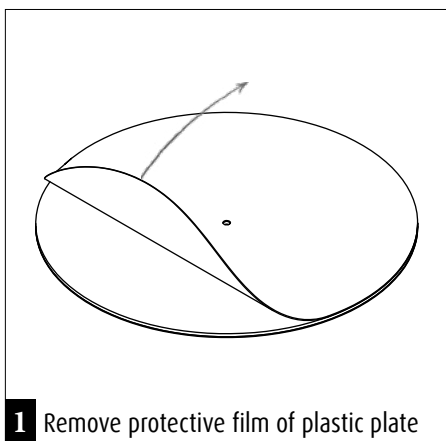
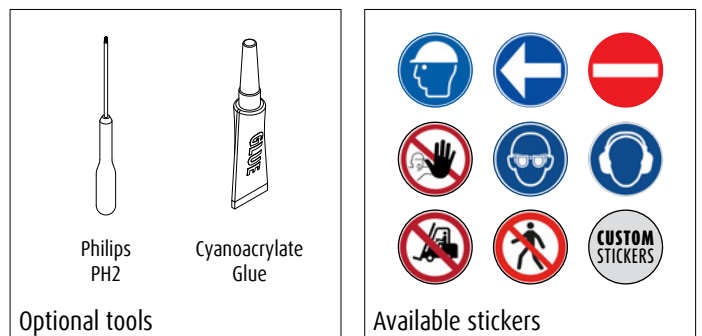
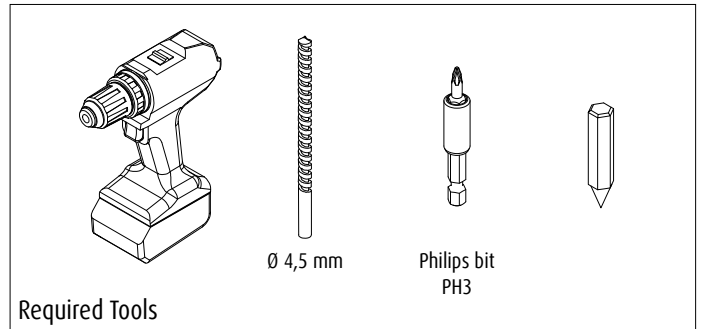


SIGN MARK

INSTALLATION SHEET

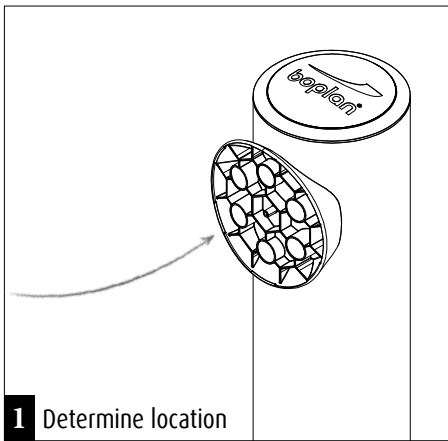
SS0001-0200-...



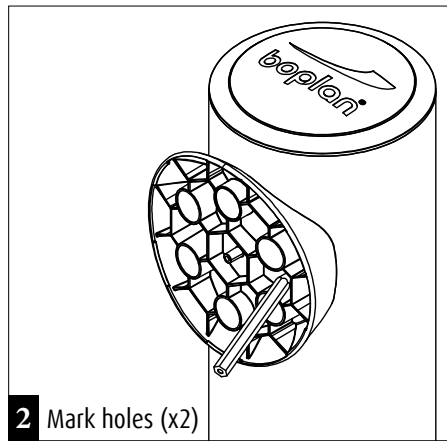
For more information, please visit www.boplan.com

Rev: 29 November 2021 3:54 pm

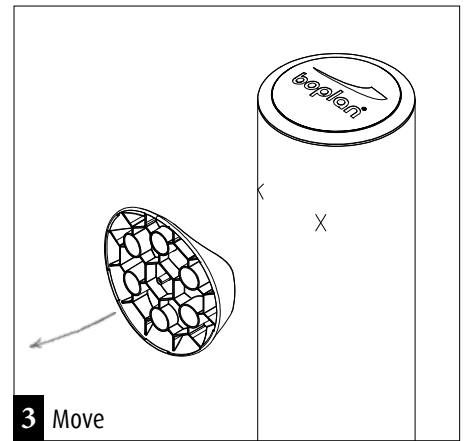




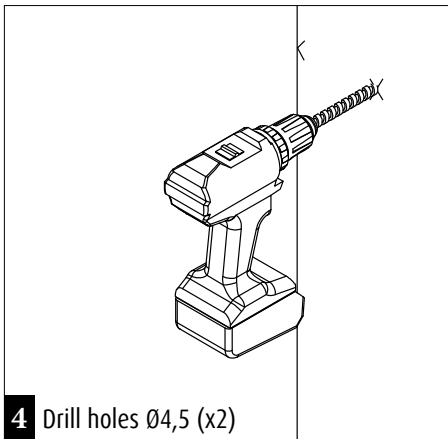
1 Determine location



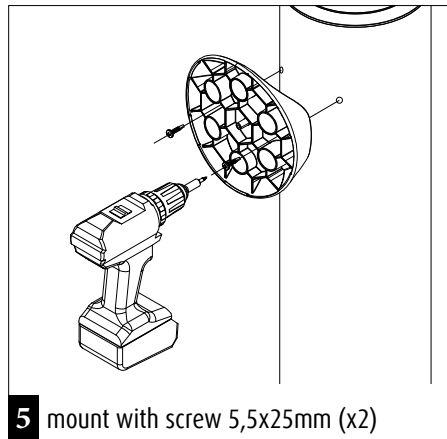
2 Mark holes (x2)



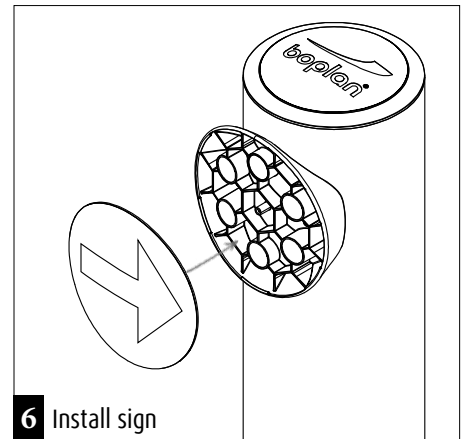
3 Move



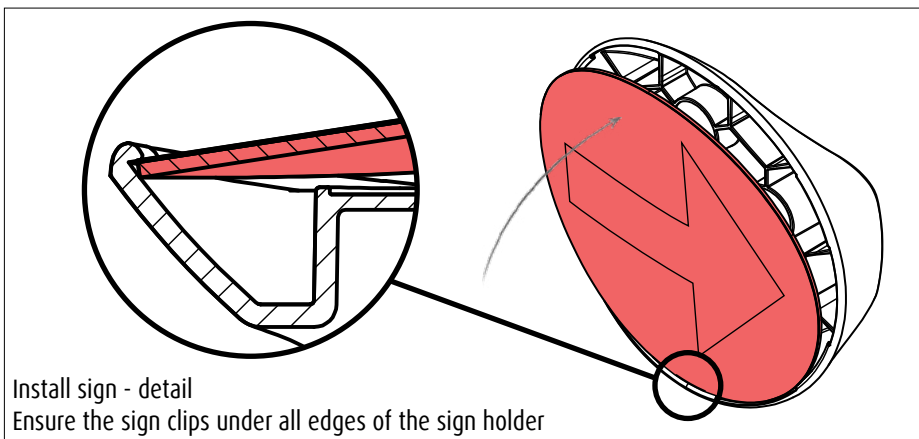
4 Drill holes Ø4,5 (x2)



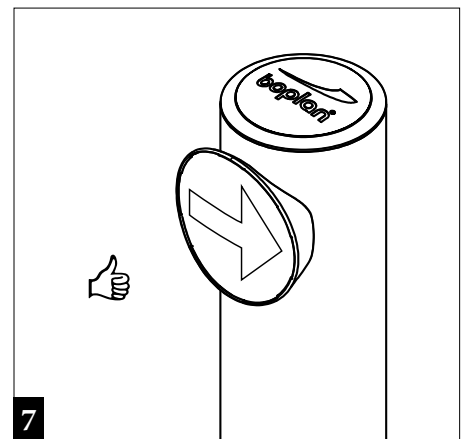
5 mount with screw 5,5x25mm (x2)



6 Install sign

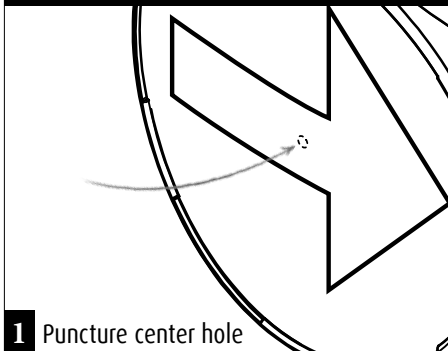


Install sign - detail
Ensure the sign clips under all edges of the sign holder

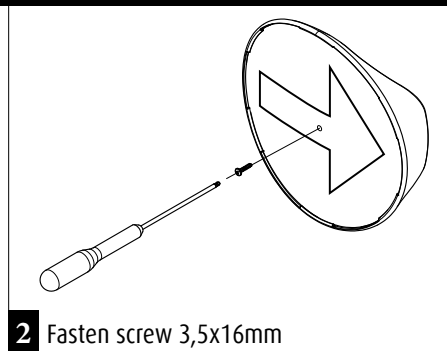


7

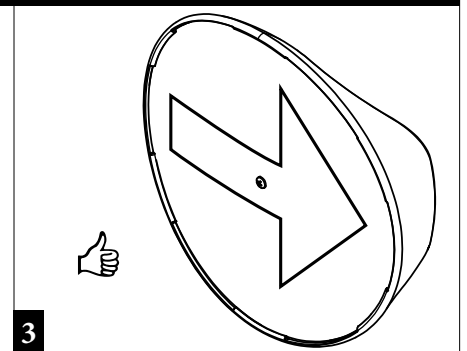
Optional Sign Board Screw fixation



1 Puncture center hole



2 Fasten screw 3,5x16mm



3



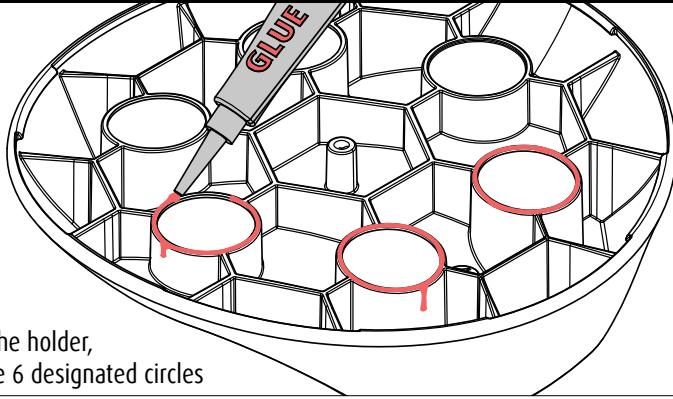
For more information, please visit www.boplan.com

Rev: 29 November 2021 3:54 pm

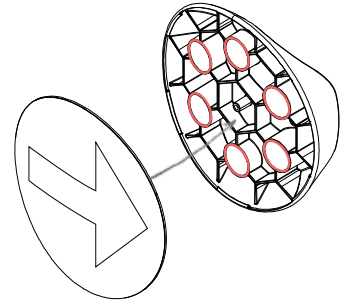


Optional permanent glue fixation

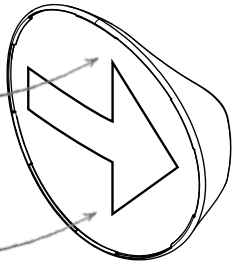
⚠ After gluing, the mounting holes are no longer accessible.



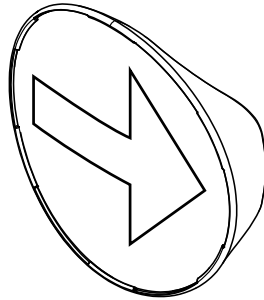
1 After mounting the holder, apply glue on the 6 designated circles



2 Install sign plate



3 Apply pressure as specified on glue packaging



4



For more information, please visit www.boplan.com

Rev: 29 November 2021 3:54 pm

