

KP 300 BOPLAN COLUMN PROTECTOR SPECIFICATION SHEET

Revision: 22 October 2018 4:20 PM
Boplan reference: KP3000-1100-S200YE



PRODUCT SPECIFICATIONS

APPLICATION

| | | |
|----------------|---|-------------------------------------|
| Environment | Air columns for controlled impact absorption. Retain its original shape thanks to its extensive absorbing capacities. Column protectors prevent structural damage to columns, posts & pillars in warehouses, production halls, airports and parking facilities. Stackable on top of each other for higher protection. | |
| Advisory speed | 3.4 km/h | For gross weight vehicle of 2500 kg |
| | 2.4 km/h | For gross weight vehicle of 5000 kg |

MATERIAL

| | |
|------------------|--|
| Column protector | Polyethylene - UV resistant - Fire class HB* - Non conductive - Impervious to most chemical products** |
| Straps | Velcro® ties |



STANDARD COLORS

| | |
|------------------|--------|
| Column protector | Yellow |
| Straps | Black |

FIXATIONS

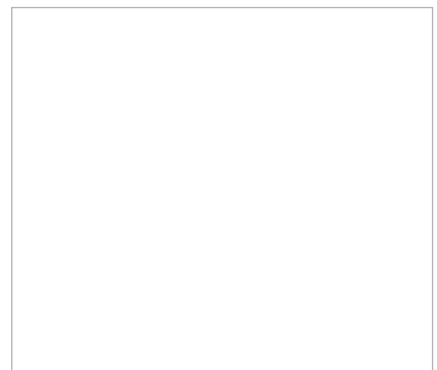
| | |
|---------------|---|
| Velcro straps | 3 black straps to hold both halves together |
|---------------|---|

REQUIREMENTS

| | | |
|----------------------------|--|---|
| Maximum pillars dimensions |  |  |
| | 300 x 300 mm column | 250 x 250 mm column |
| Environment | Indoor and outdoor use | |
| Working Temperatures | -15°C up to +40°C | |

*Fire class HB = Slow burning; classification according to UL94: US Standard for Safety of Flammability of Plastics

**Ask your local sales office for resistance to specific chemicals.

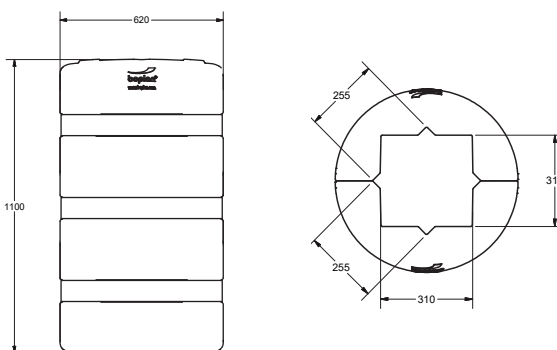
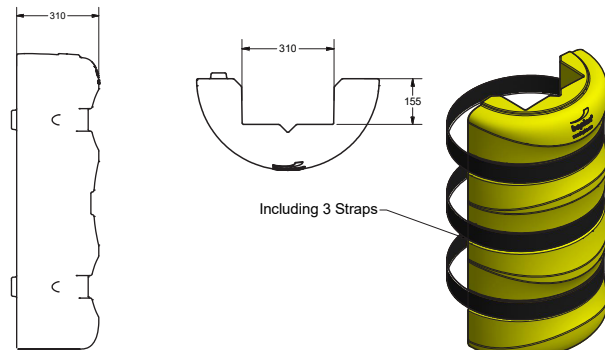


FEATURES AND FUNCTIONALITY

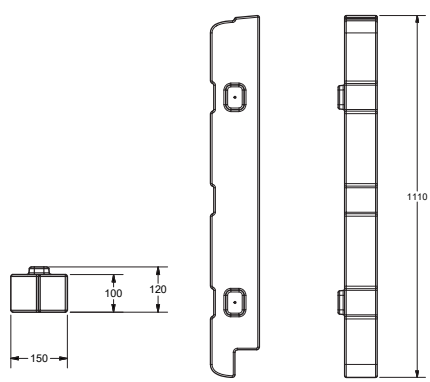
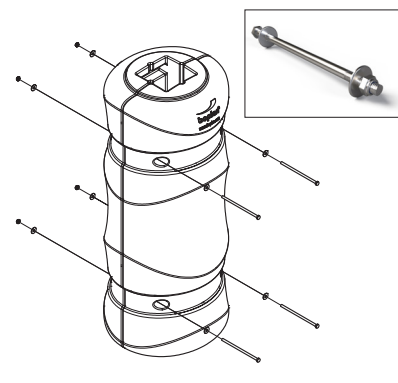
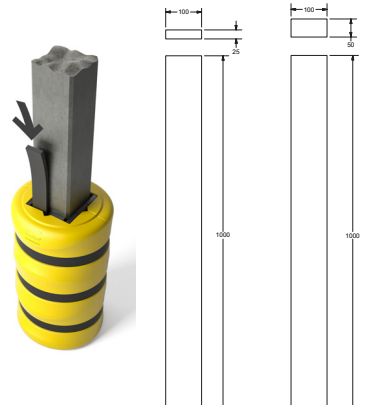
| SIZE | |
|-----------------|--------------------------------------|
| Outer diameter | Ø 620 mm |
| Inner dimension | 310 mm x 310 mm (255 mm x 155 mm) |
| Weight | 21.2 kg (10.6 kg per piece) |
| Straps | 3 x 2400 mm |

| IMPACT PERFORMANCE | | |
|--------------------|---|---|
| Test conditions | Ambient temperature Fork lift weight Success criteria | 20°C 2300kg No permanent damage of the Column protector |
| 90° impact | Maximum impact | 2200 Joule |
| 45° impact | Maximum impact | 3100 Joule |

REFERENCES PRODUCT - COLUMN PROTECTOR 300

| KP3000-1100-S200YE | KP3000-1100-S100YE |
|--|---|
| 2 halves (2 straps included) | 1 halve (3 straps included) |
|  |  |

REFERENCES PRODUCT - ACCESSORIES

| KP0099-1100-300YE | KP0099-8180-5400ZC | KP0099-1000-1025BL - KP0099-1000-1050BL |
|---|--|---|
| KP extensions - 100 mm - 1 PIECE | Bolt fixation (L = 180mm) - set of 4 | KP Fill up foam - 25mm thick / 50 mm thick |
|  |  |  |