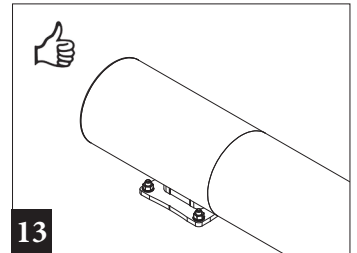
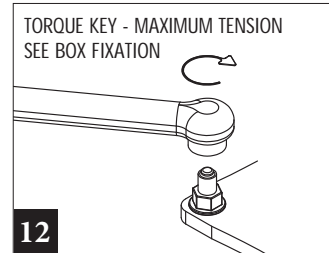
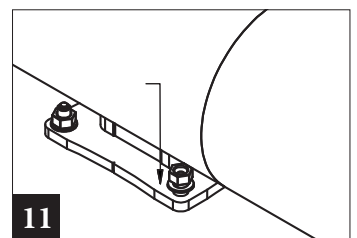
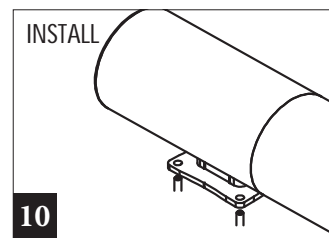
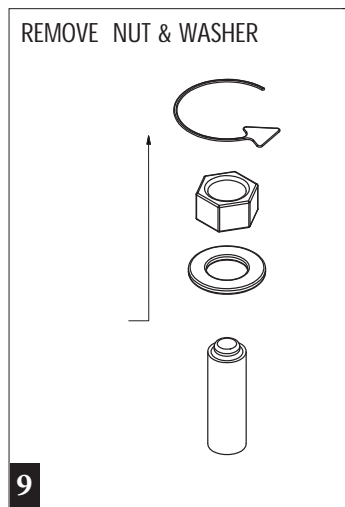
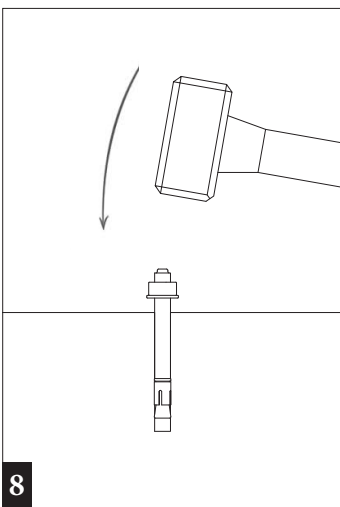
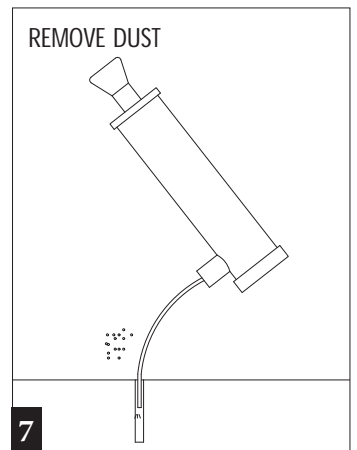
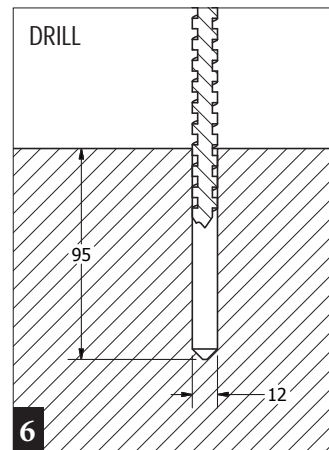
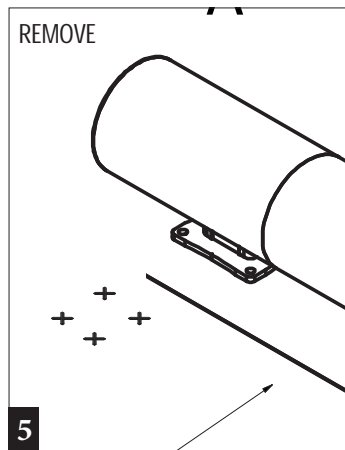
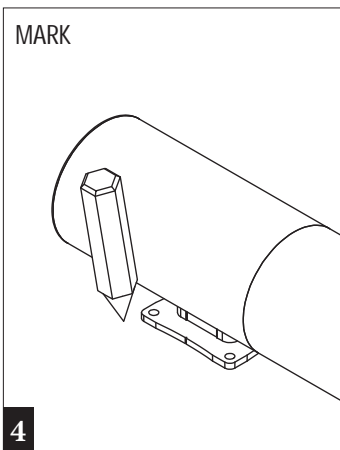
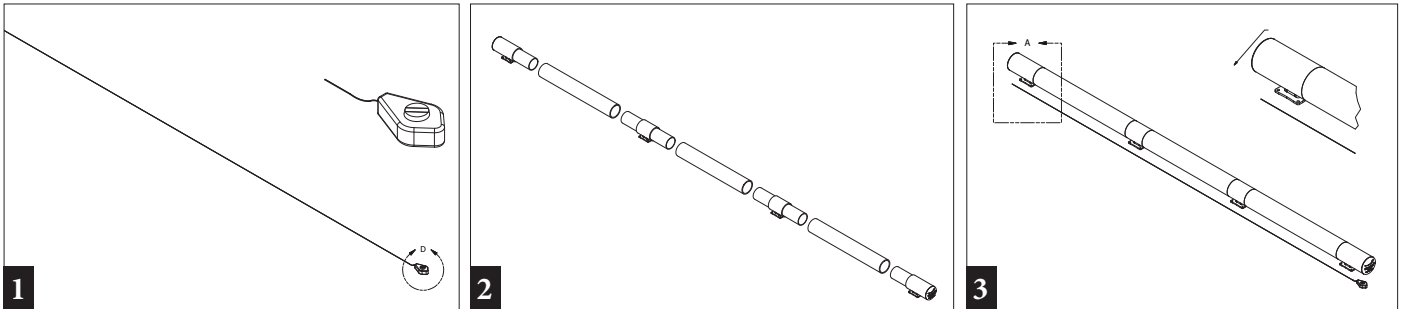
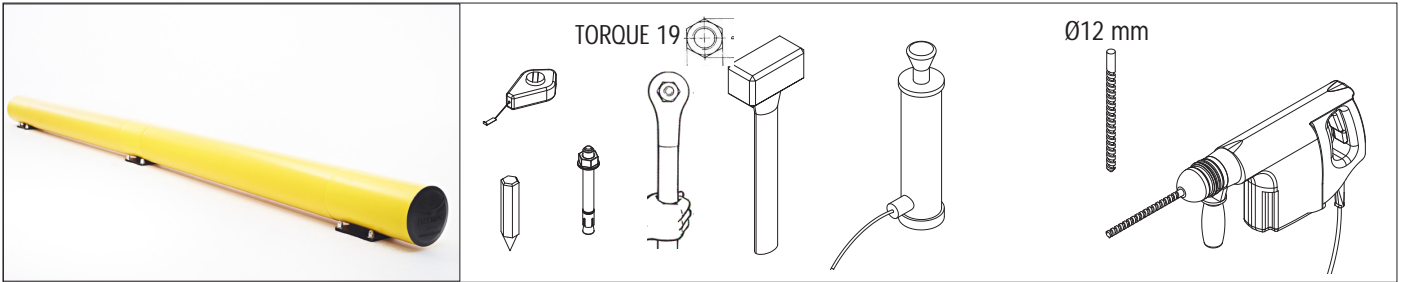


TB 200

INSTALLATION SHEET

Effective and economic solution for barrier installation



For more information, please visit www.boplan.com

