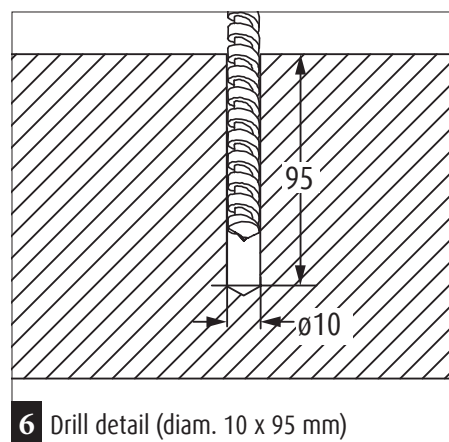
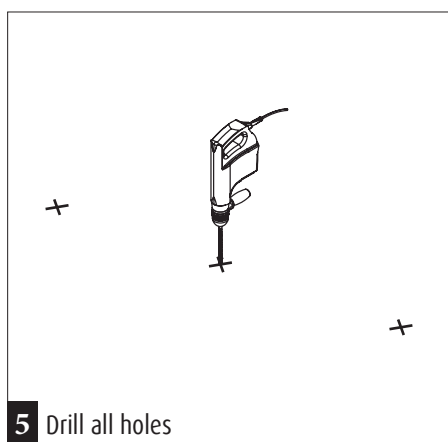
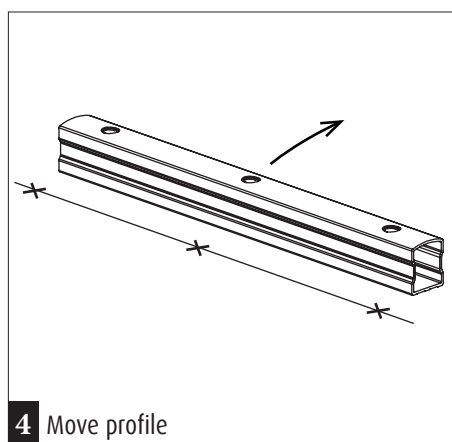
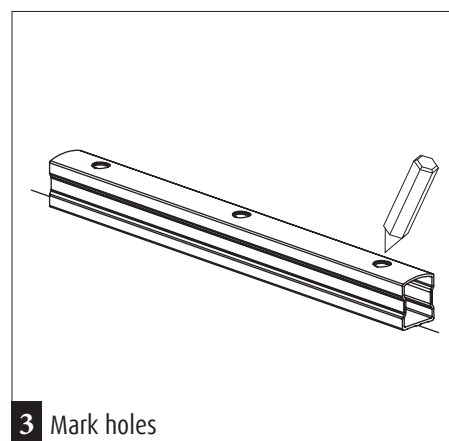
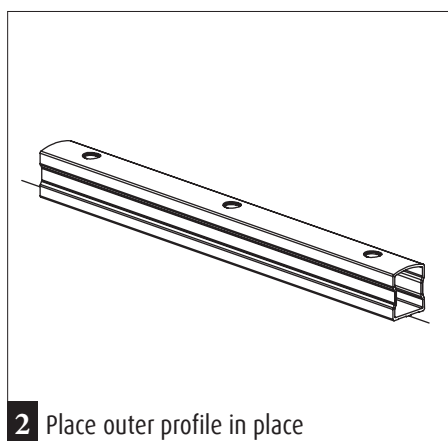
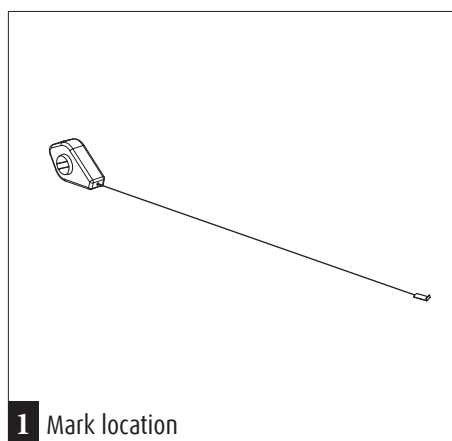
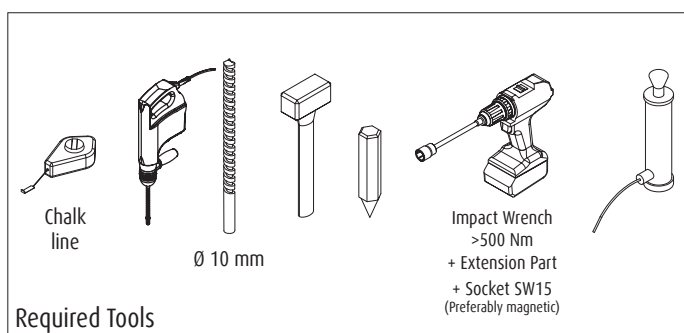


# FLIP 120

## INSTALLATION SHEET

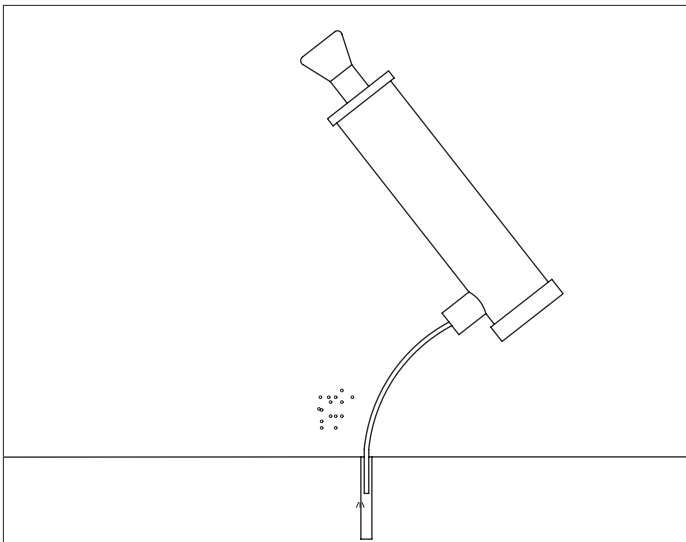
Reference PL1210-...



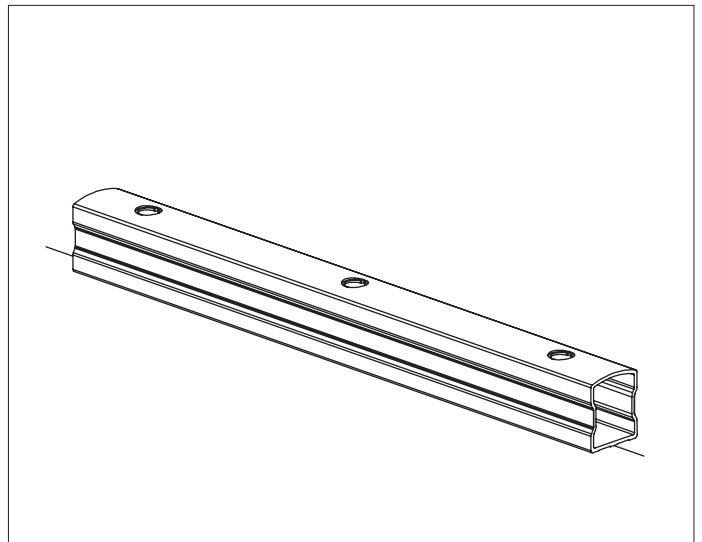
For more information, please visit [www.boplan.com](http://www.boplan.com)

Rev: 22 March 2022 11:33 am

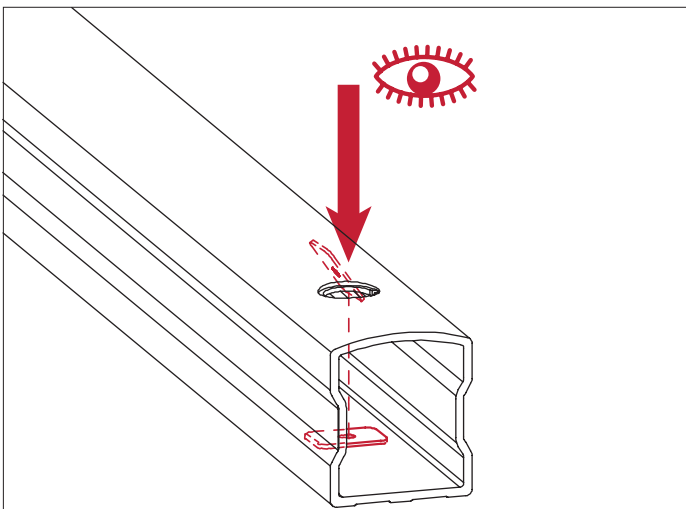




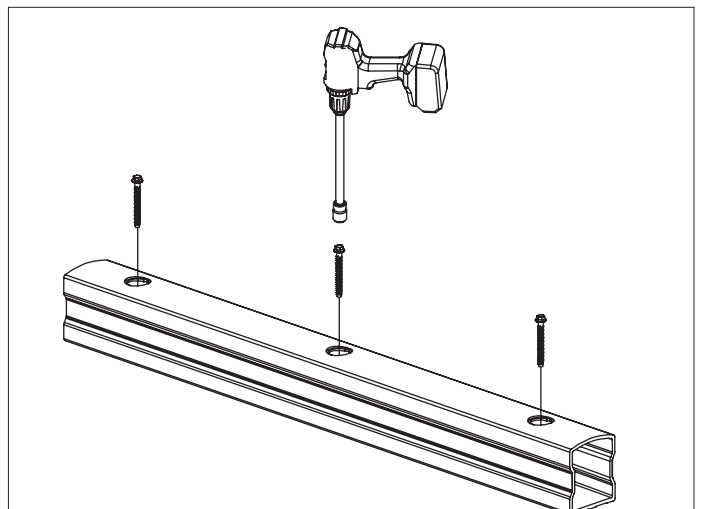
**7** Remove dust



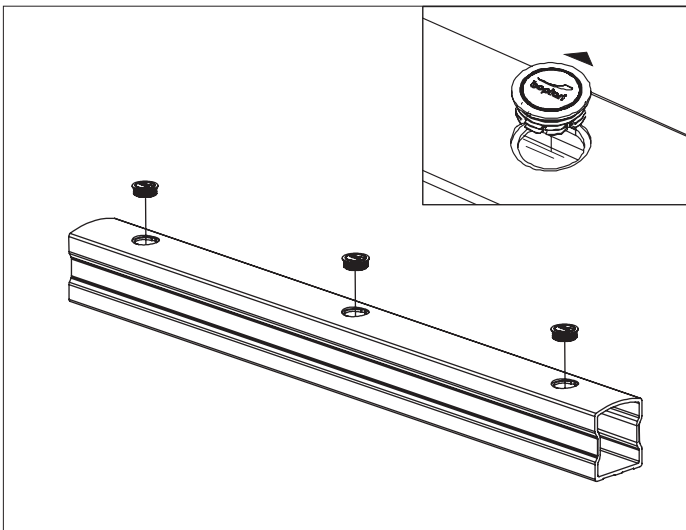
**8** Place the profile back in place and align the holes



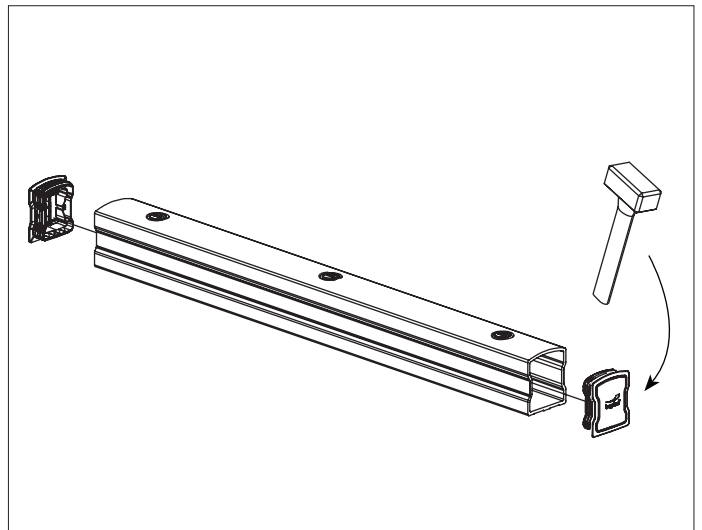
**9** Place a washer trough each hole and position correctly



**10** Position the screws and tighten with impact wrench.  
Torque = 80 Nm



**11** Mount flex caps



**12** Mount end caps



For more information, please visit [www.boplan.com](http://www.boplan.com)

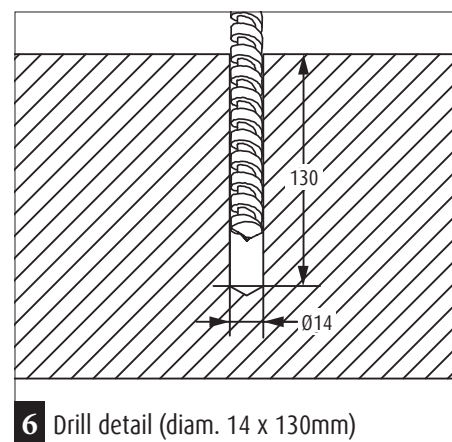
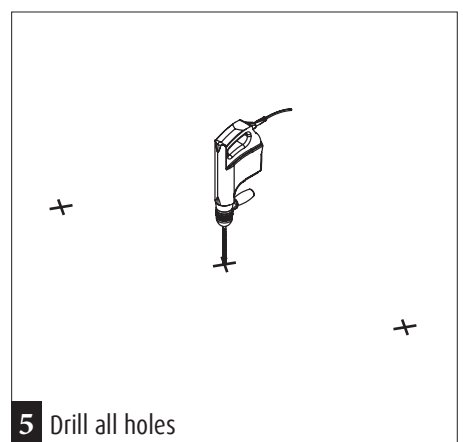
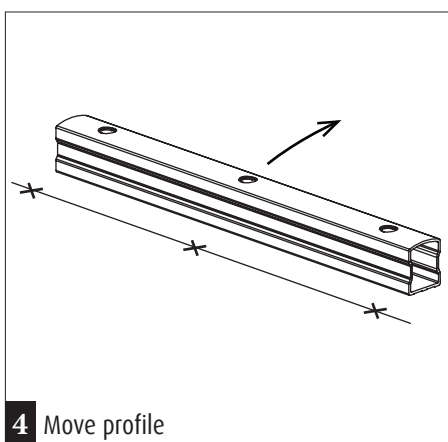
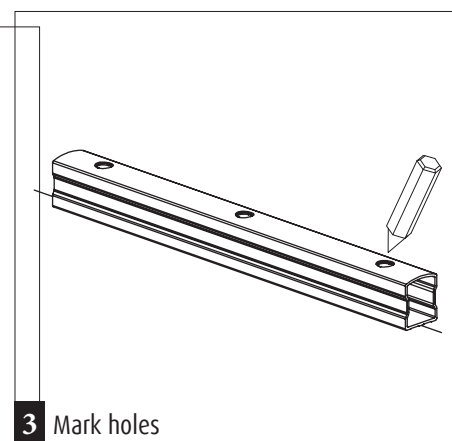
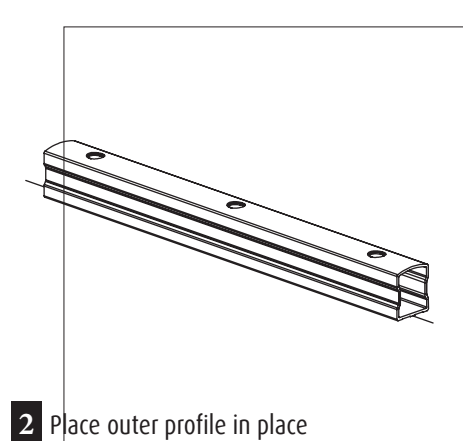
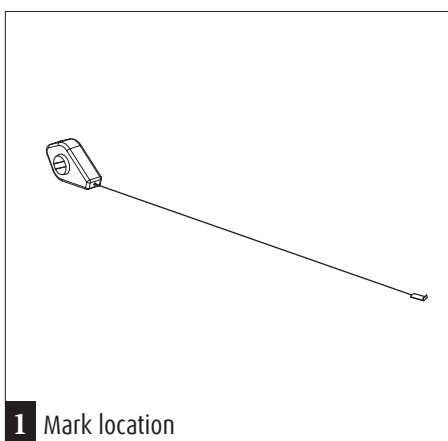
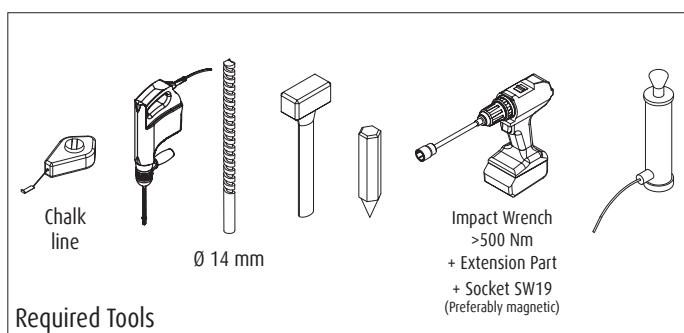
Rev: 22 March 2022 11:33 am



# FLIP 180

## INSTALLATION SHEET

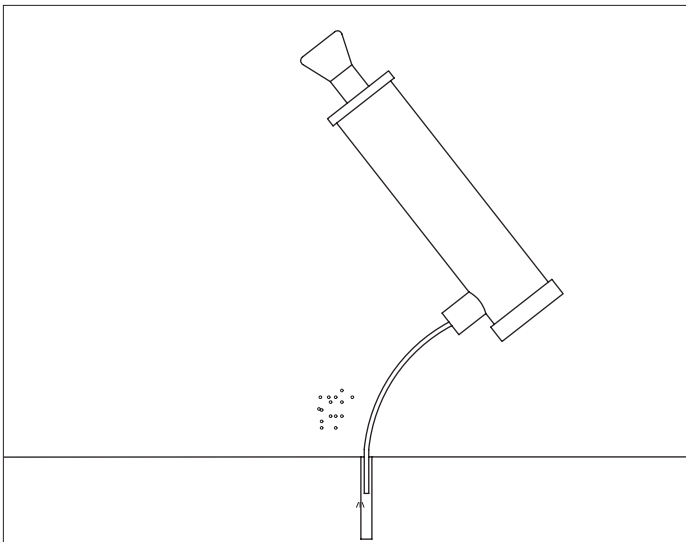
Reference PL1810-...



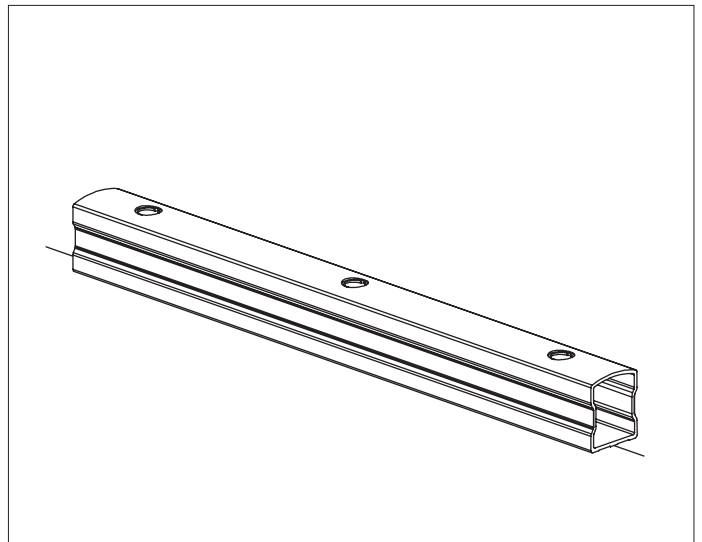
For more information, please visit [www.boplan.com](http://www.boplan.com)

Rev: 24 March 2022 4:21 pm

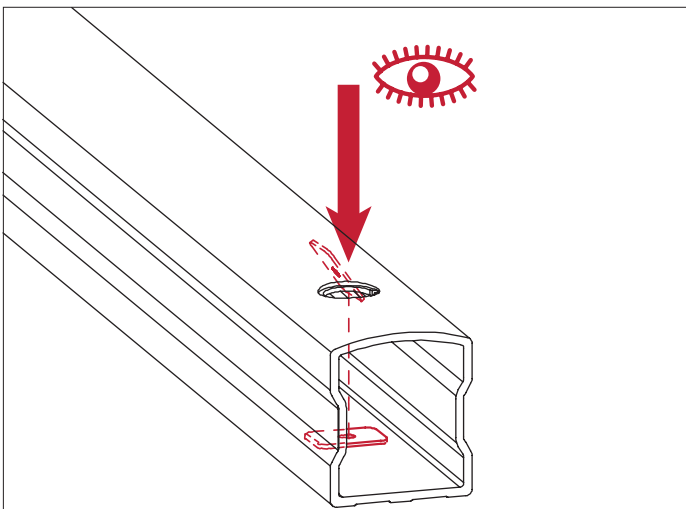




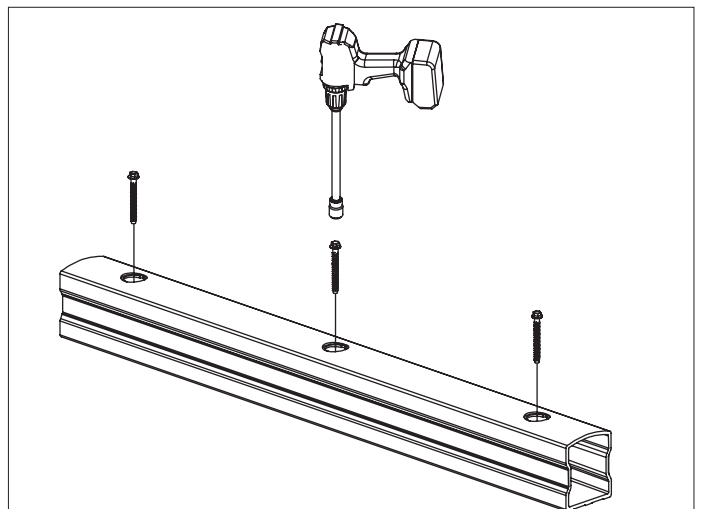
**7** Remove dust



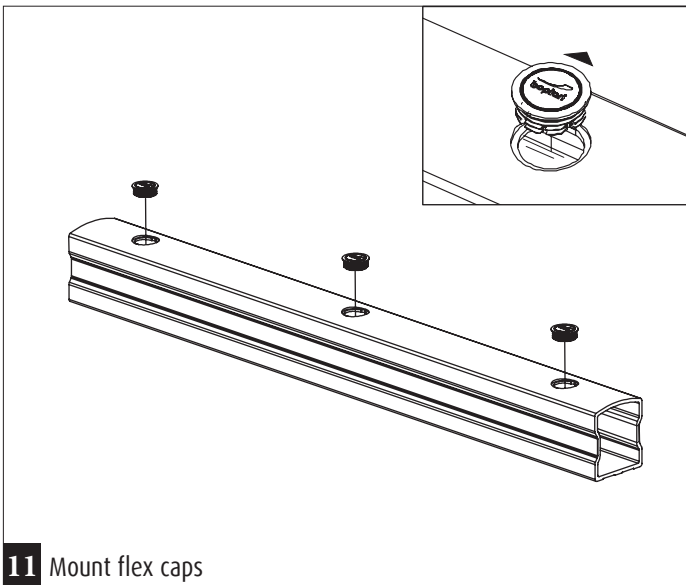
**8** Place the profile back in place and align the holes



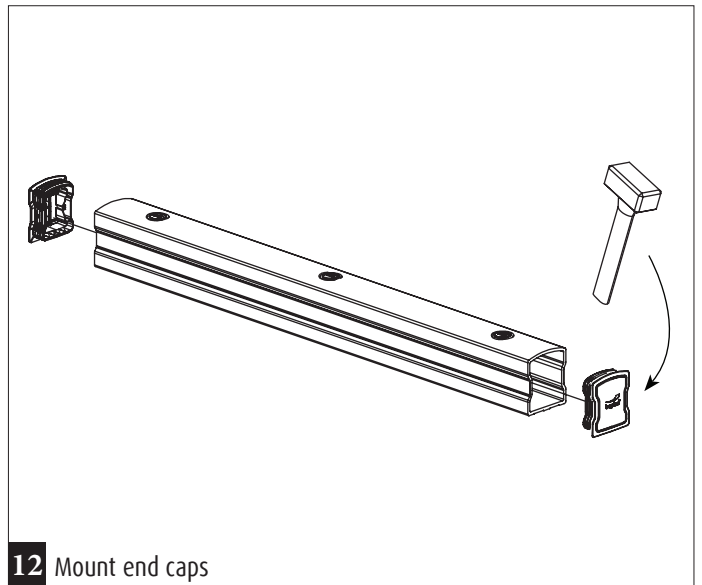
**9** Place a washer trough each hole and position correctly



**10** Position the screws and tighten with impact wrench  
Torque = 100 Nm



**11** Mount flex caps



**12** Mount end caps



For more information, please visit [www.boplan.com](http://www.boplan.com)

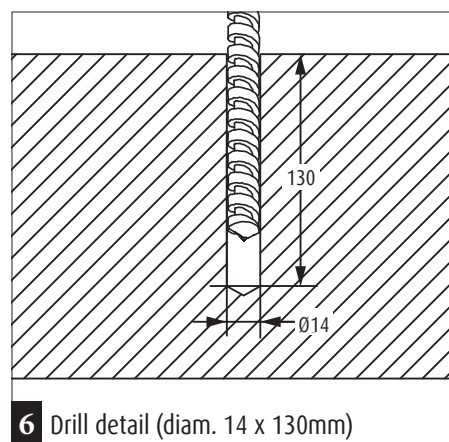
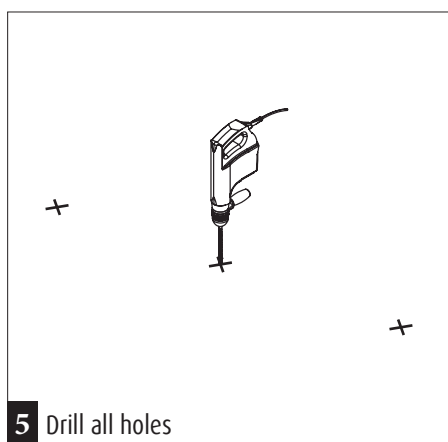
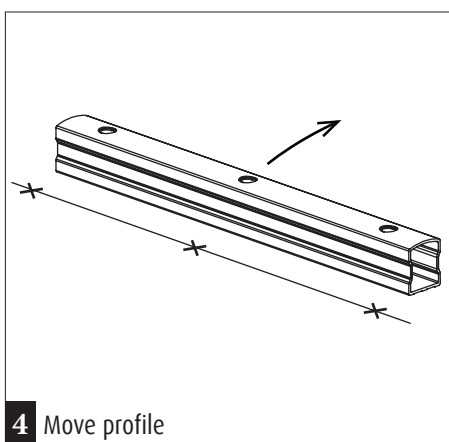
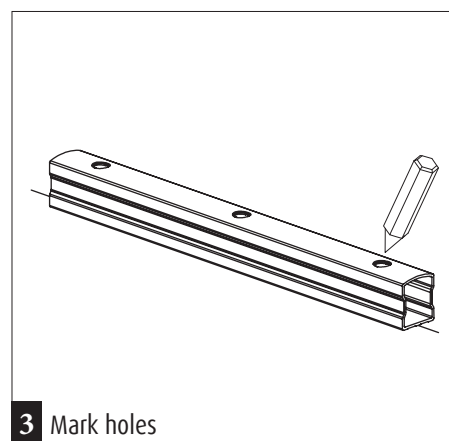
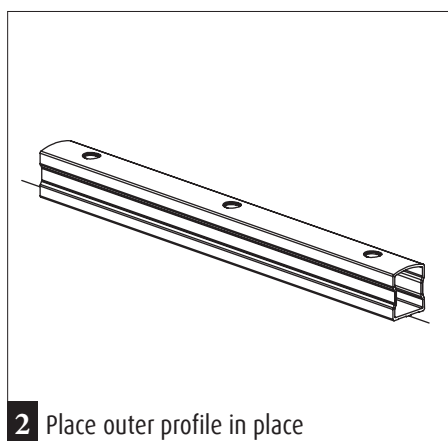
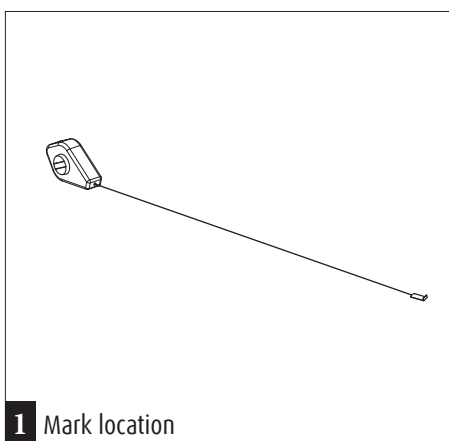
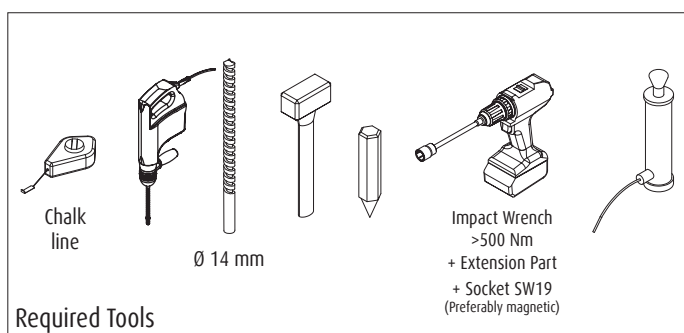
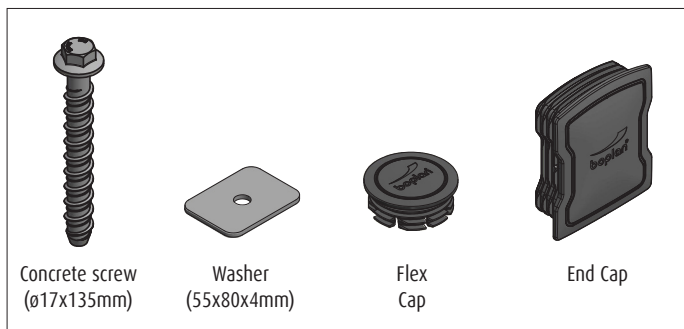
Rev: 24 March 2022 4:21 pm



# FLIP 200

## INSTALLATION SHEET

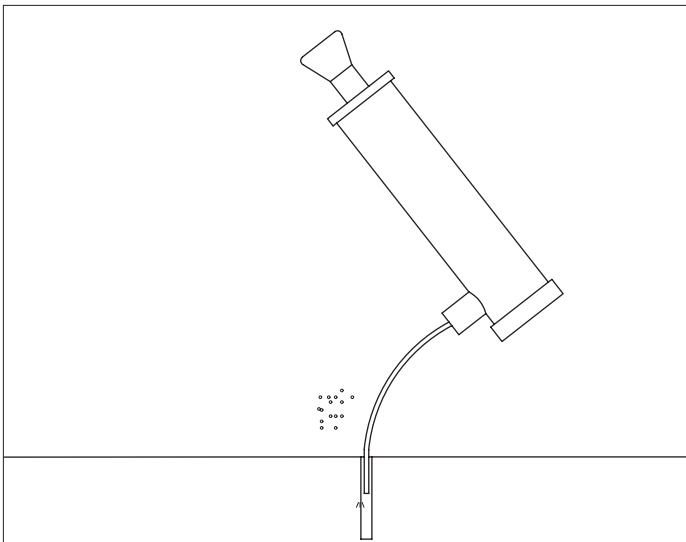
Reference PL2010-...



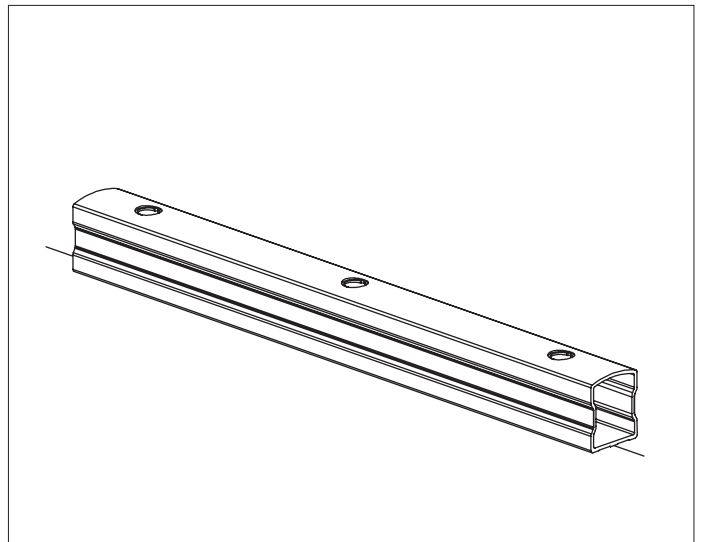
For more information, please visit [www.boplan.com](http://www.boplan.com)

Rev: 22 March 2022 11:52 am

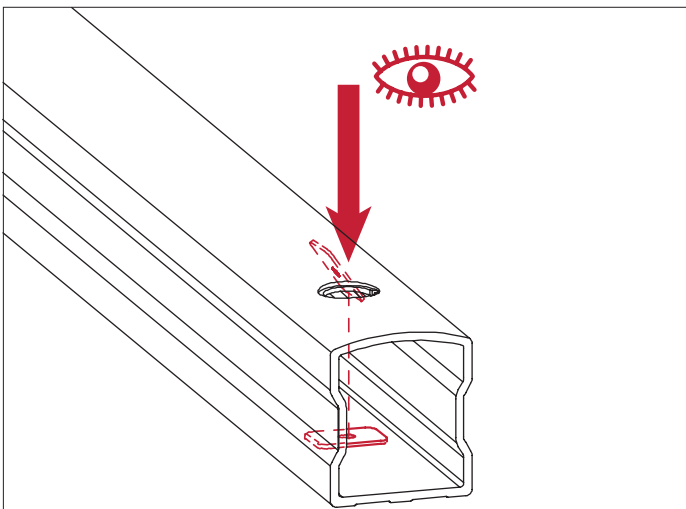




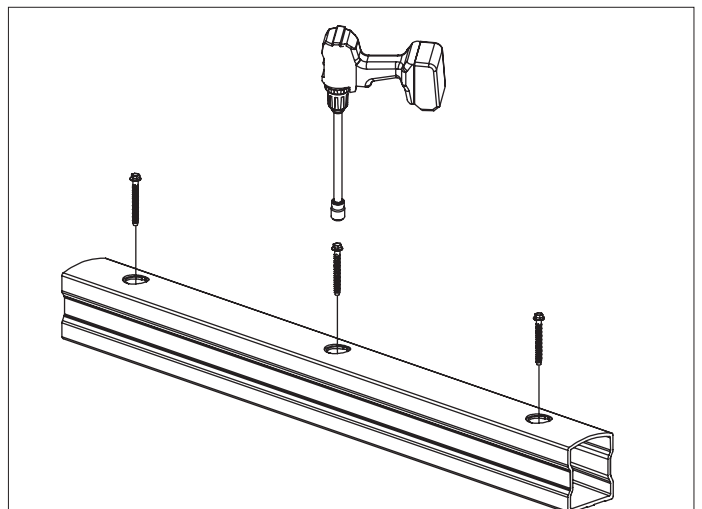
**7** Remove dust



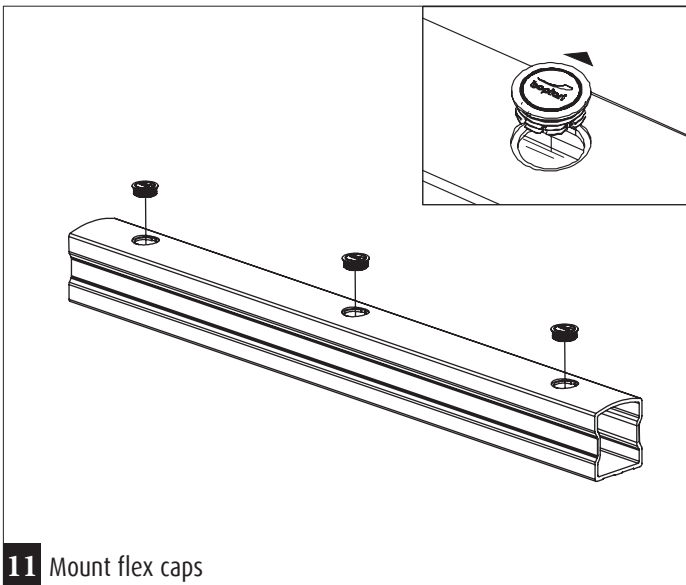
**8** Place the profile back in place and align the holes



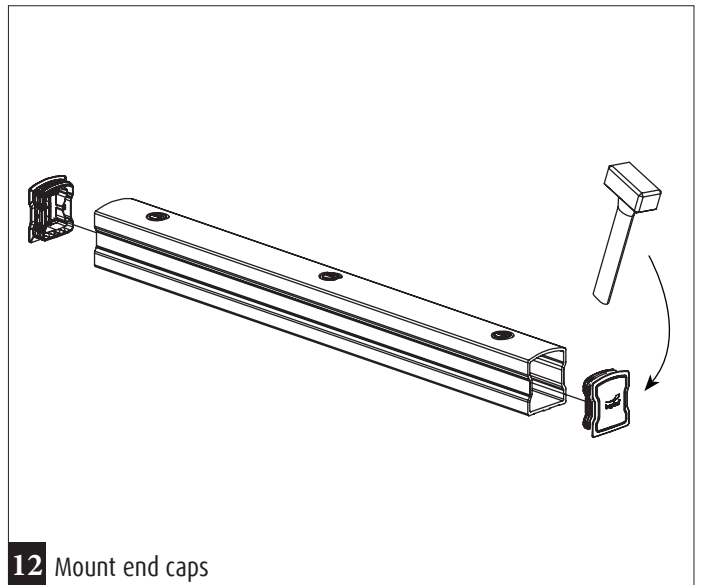
**9** Place a washer trough each hole and position correctly



**10** Position the screws and tighten with impact wrench;  
Torque = 100 Nm



**11** Mount flex caps

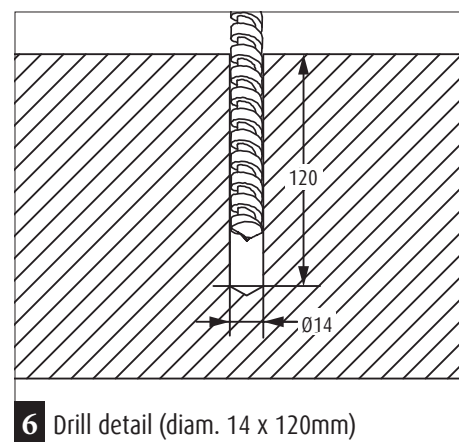
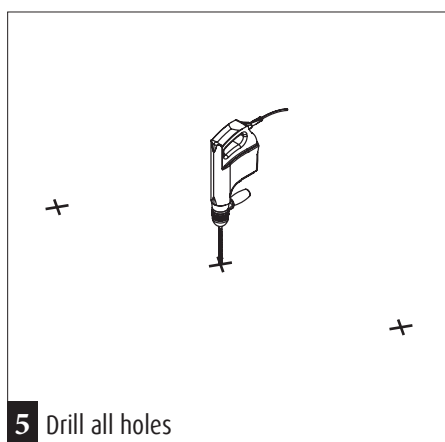
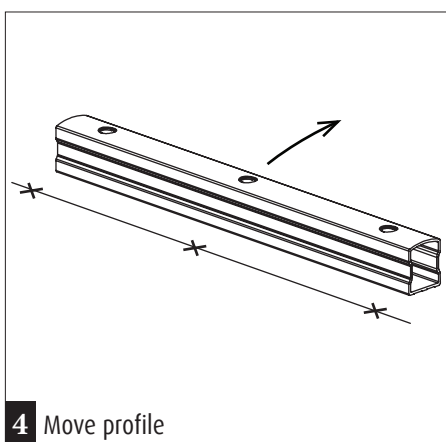
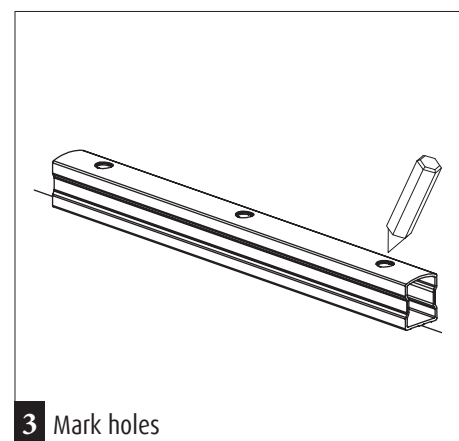
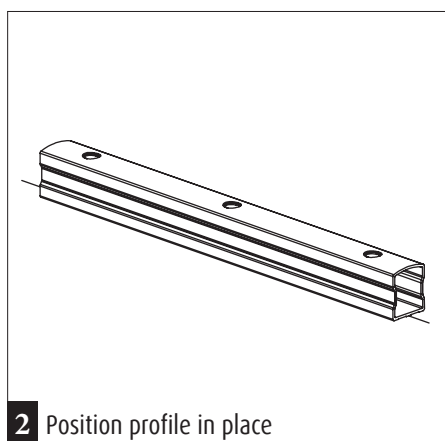
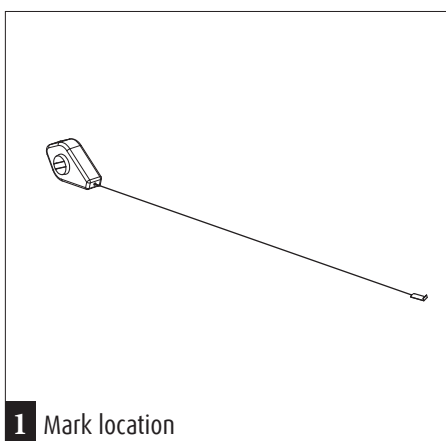
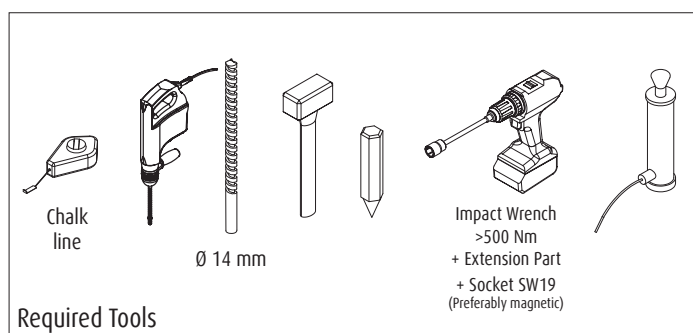
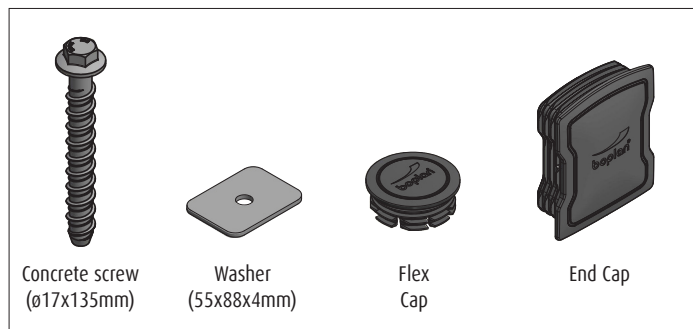


**12** Mount end caps

# FLIP 200 FORCE

## INSTALLATION SHEET

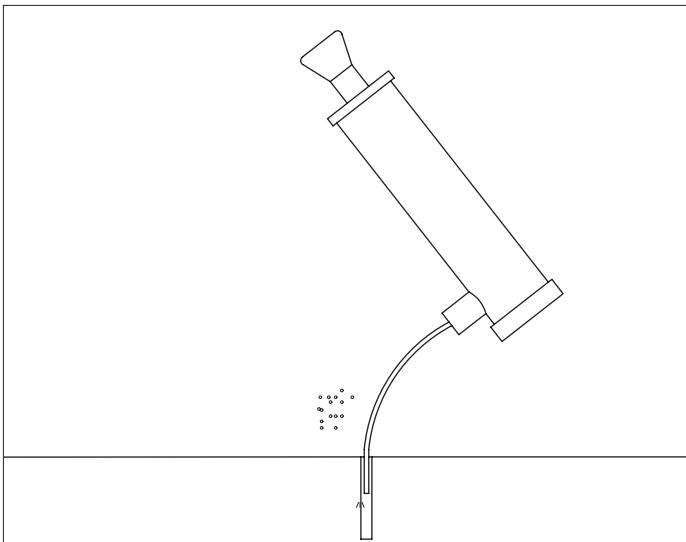
Reference PL2020-...



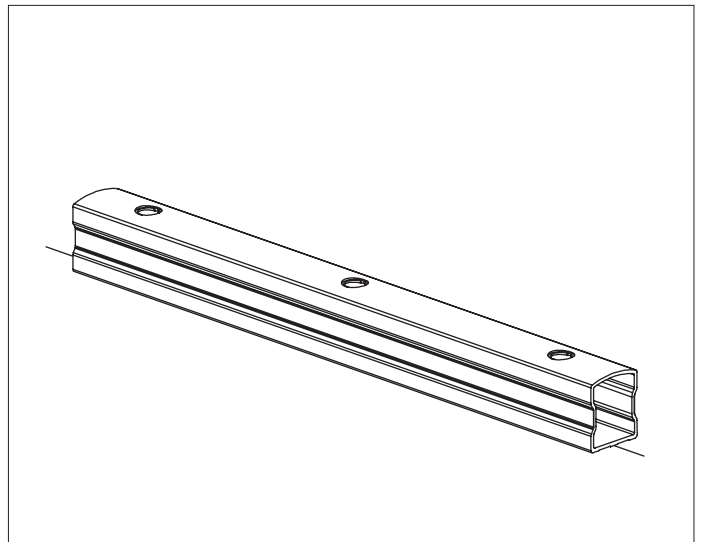
For more information, please visit [www.boplan.com](http://www.boplan.com)

Rev: 27 April 2022 9:47 am

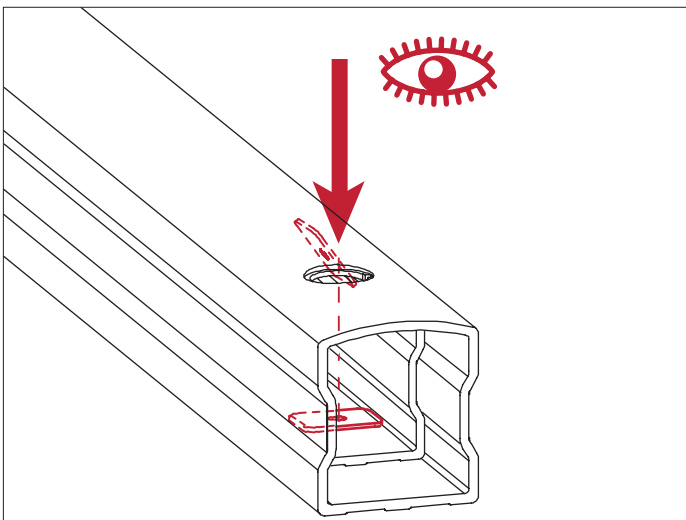




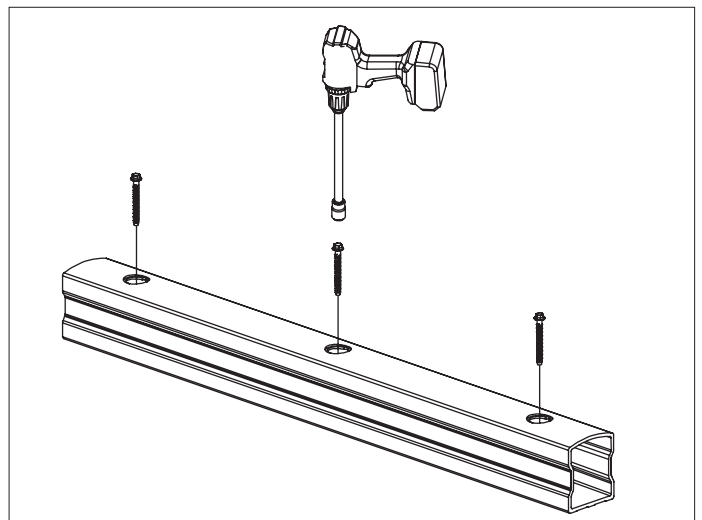
**7** Remove dust



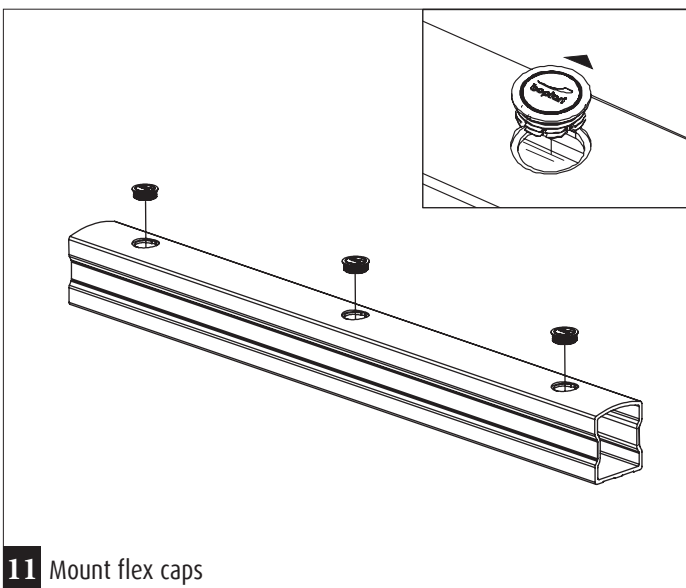
**8** Place the profile back in place and align the holes



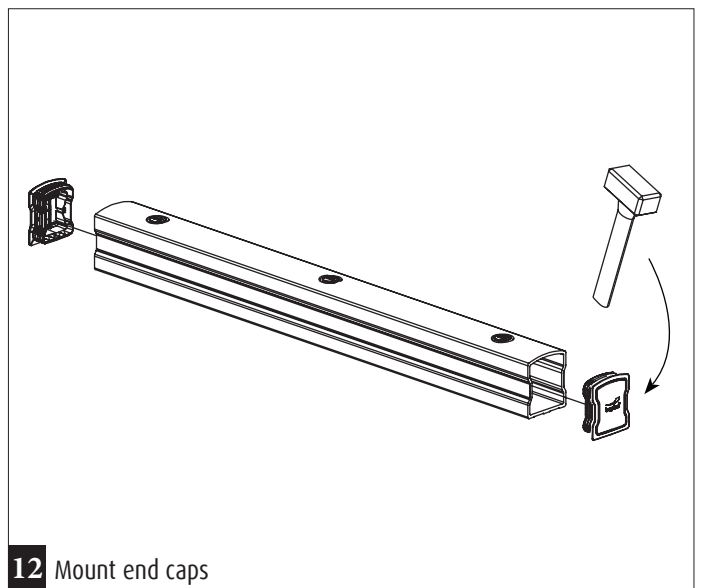
**9** Place a washer trough each hole and position correctly



**10** Position the screws and tighten with impact wrench;  
Torque = 100 Nm



**11** Mount flex caps



**12** Mount end caps