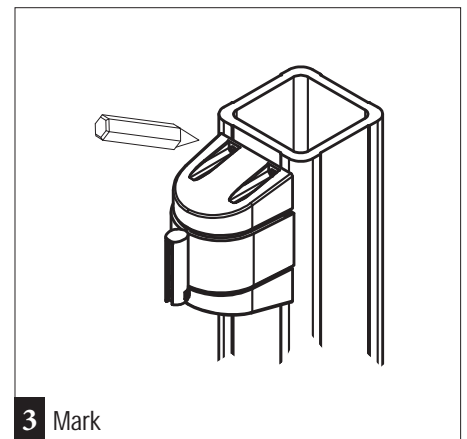
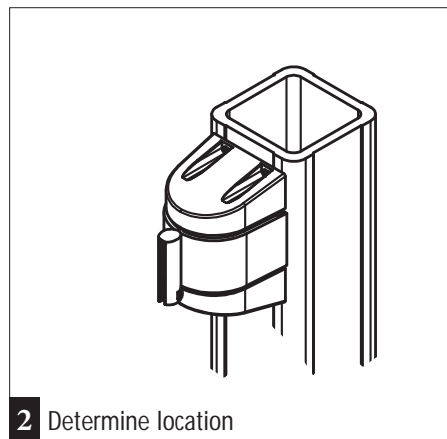
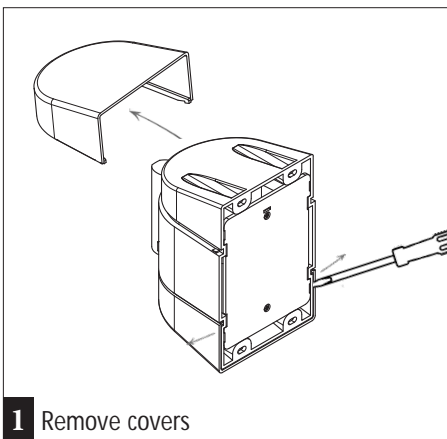
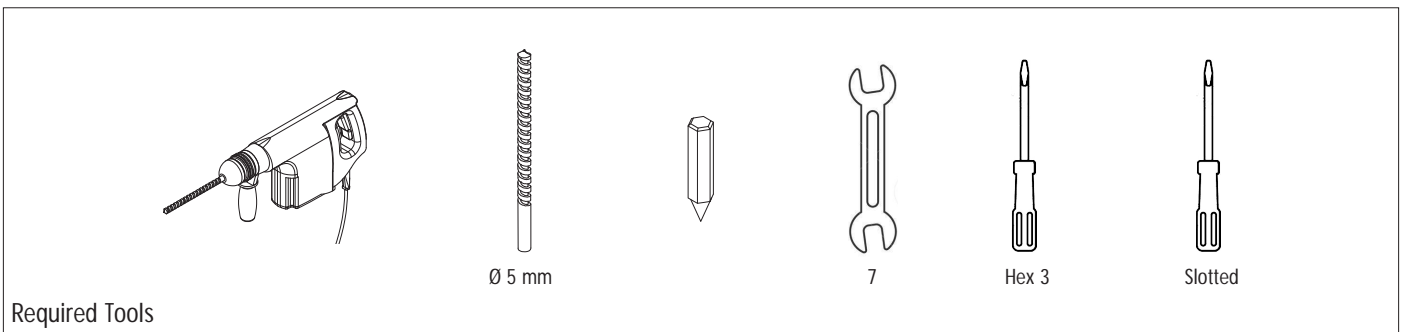
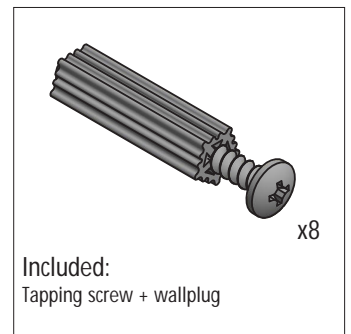
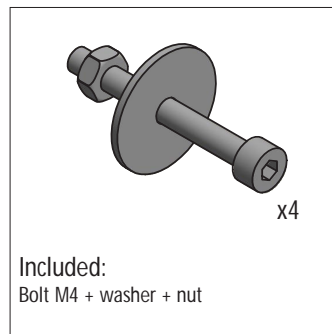
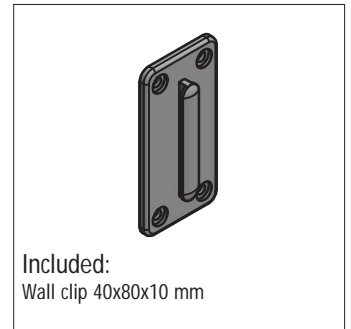
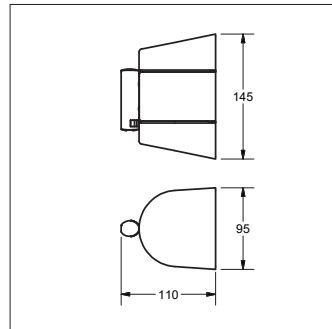
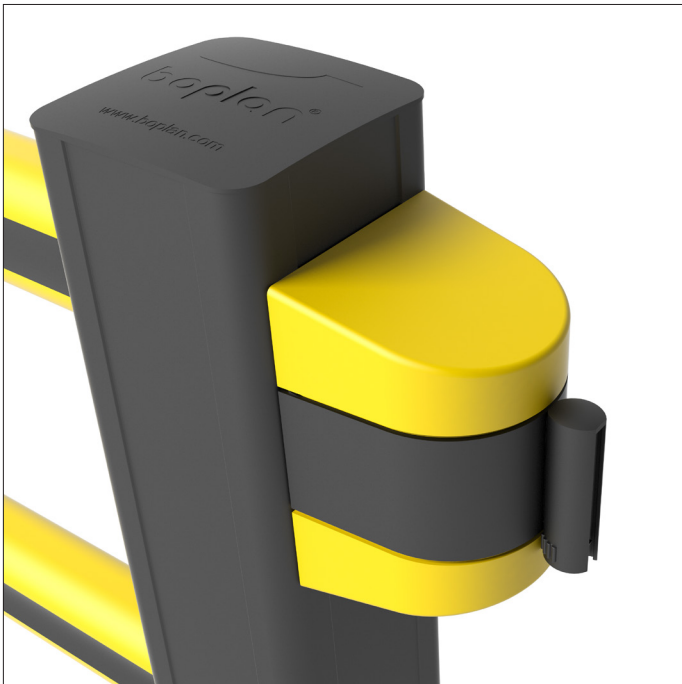


# BB BELT BARRIER

BB10/0005  
BB10/0010

## INSTALLATION SHEET



For more information, please visit [www.boplan.com](http://www.boplan.com)

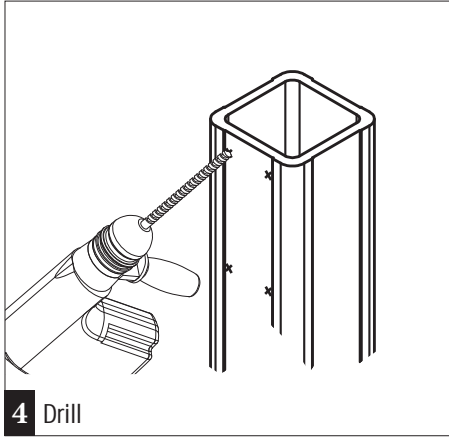
Rev: 17 April 2020 2:56 pm



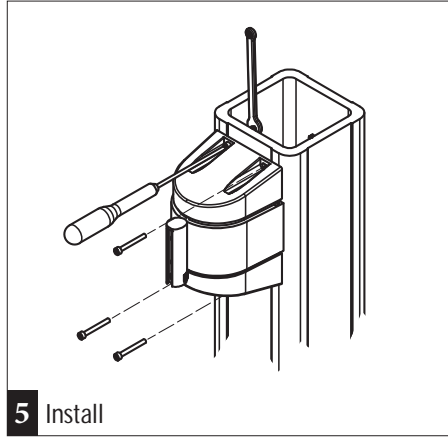
# BB BELT BARRIER

BB10/0005  
BB10/0010

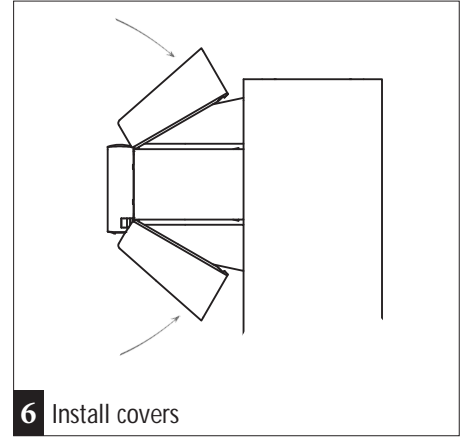
## INSTALLATION SHEET



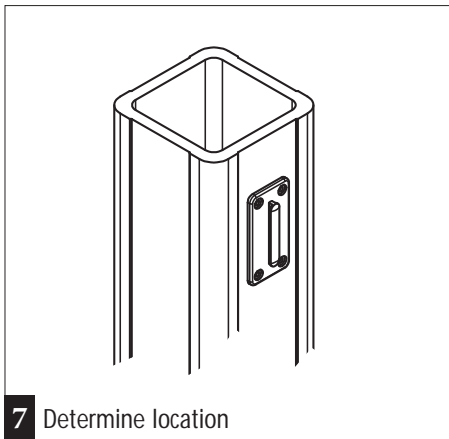
4 Drill



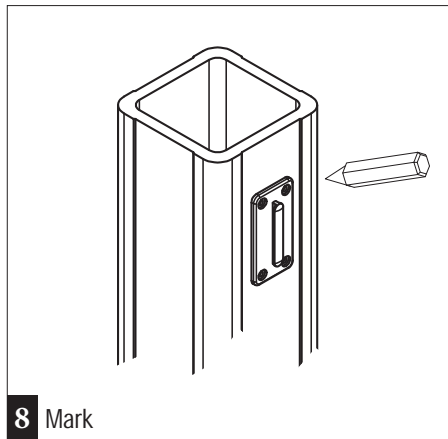
5 Install



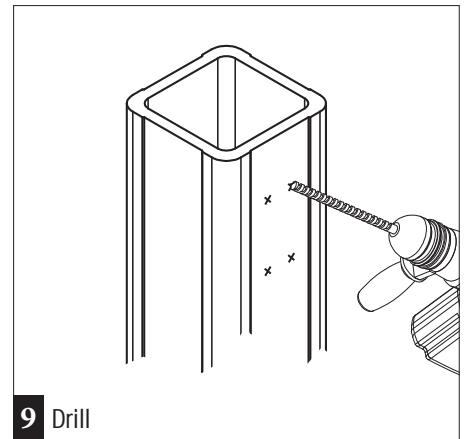
6 Install covers



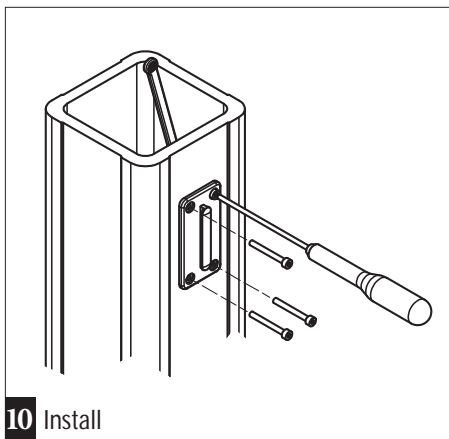
7 Determine location



8 Mark



9 Drill



10 Install



11



For more information, please visit [www.boplan.com](http://www.boplan.com)

Rev: 17 April 2020 2:56 pm

