

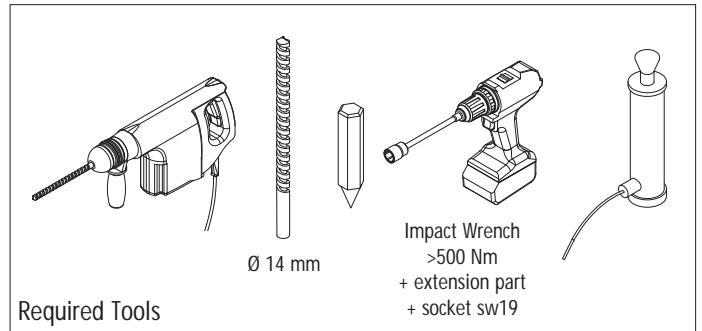
# DOCK BUMPER

## INSTALLATION SHEET

DB0450-0250-100..

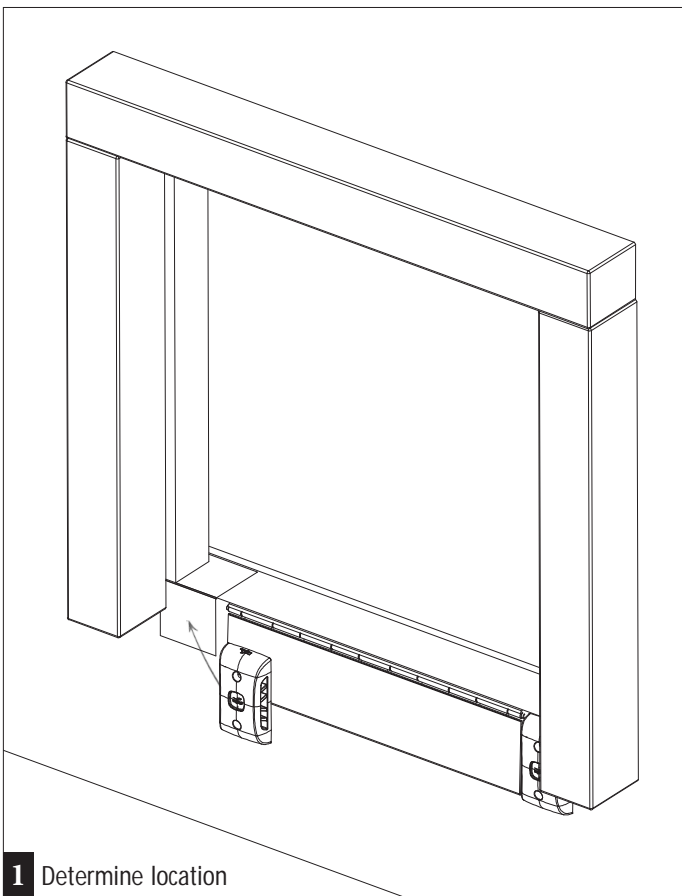


Included:  
Concrete screw (x2)  
Washer (x2)

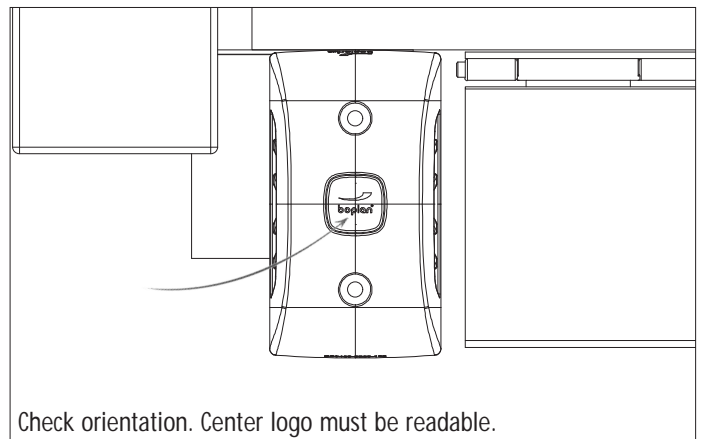


Required Tools

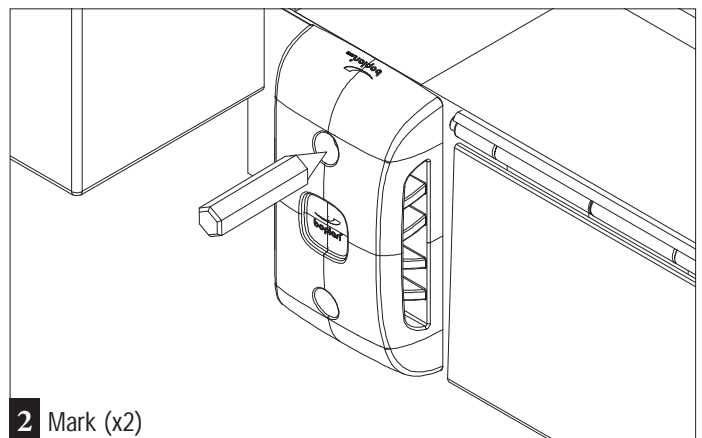
Impact Wrench  
>500 Nm  
+ extension part  
+ socket sw19



**1** Determine location



Check orientation. Center logo must be readable.



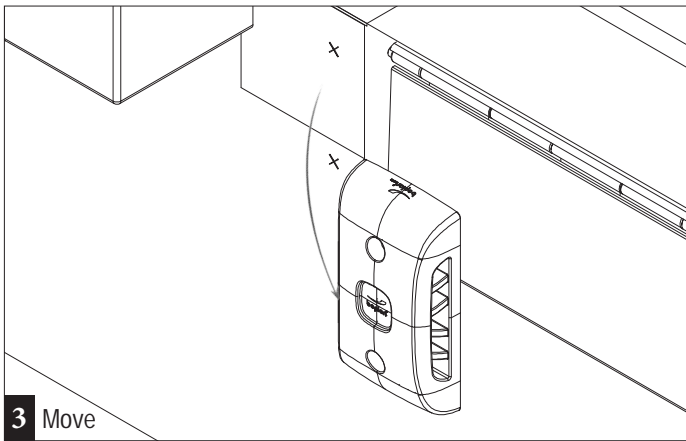
**2** Mark (x2)



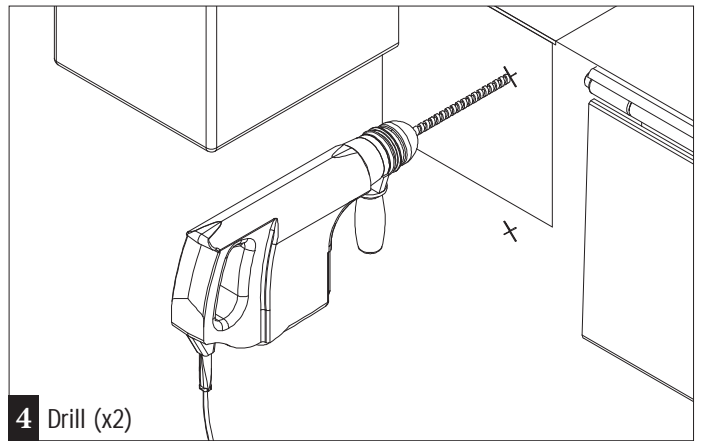
For more information, please visit [www.boplan.com](http://www.boplan.com)

Rev: 29 August 2019 12:00 pm

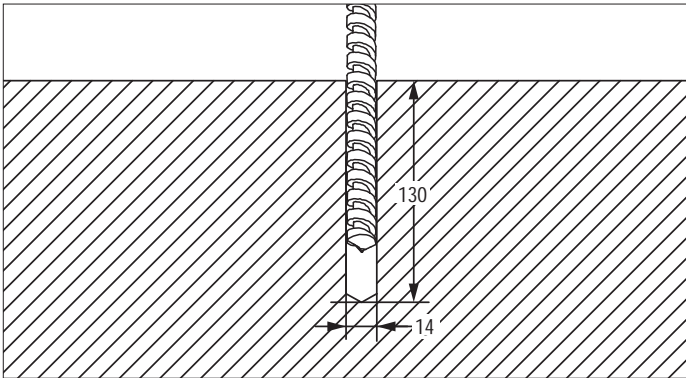




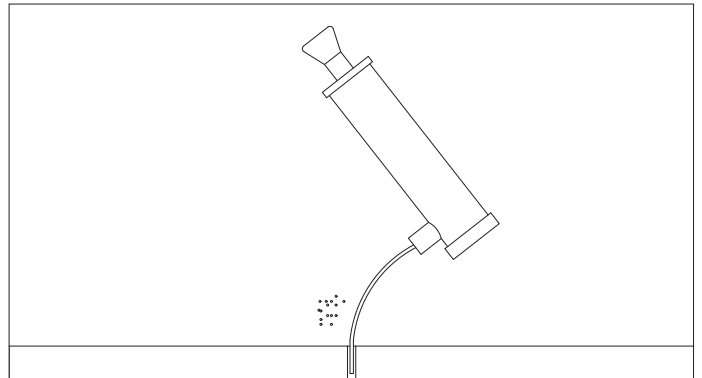
3 Move



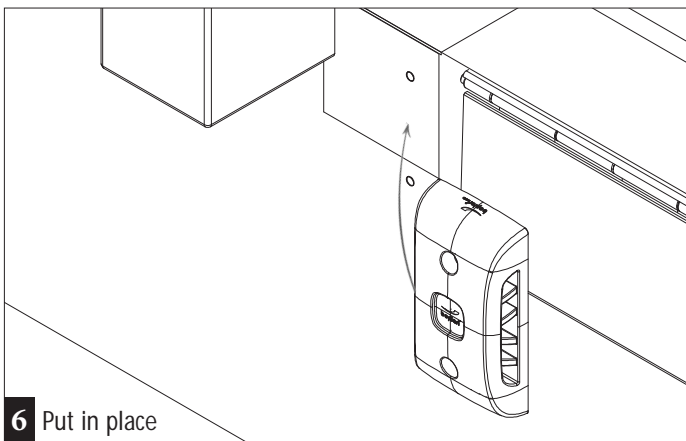
4 Drill (x2)



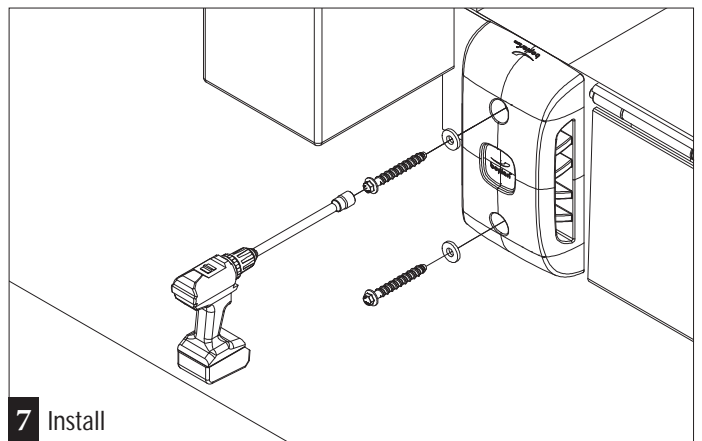
Drill Detail



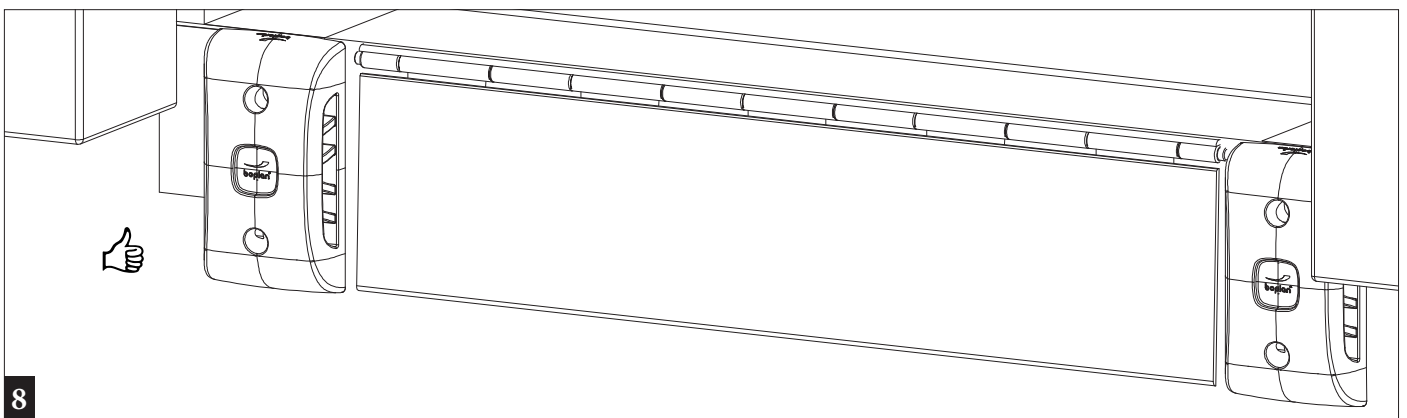
5 Remove dust from hole (x2)



6 Put in place



7 Install



8