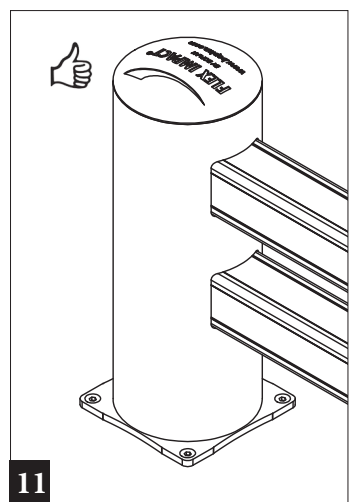
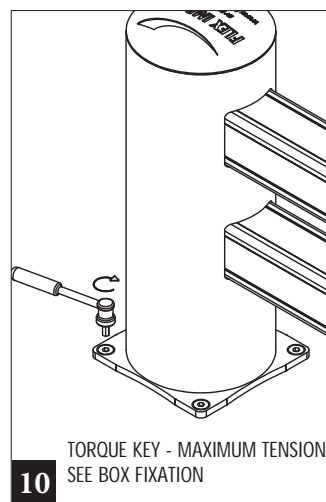
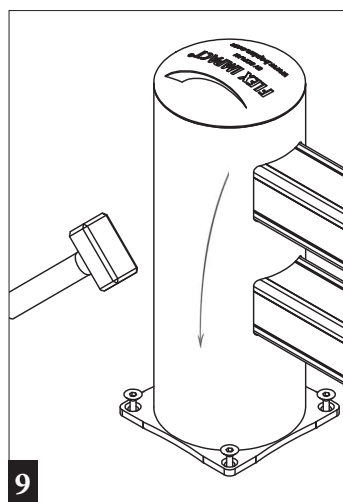
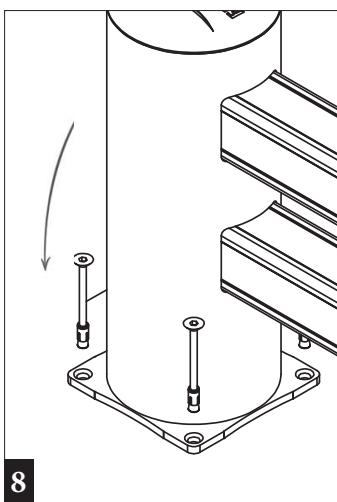
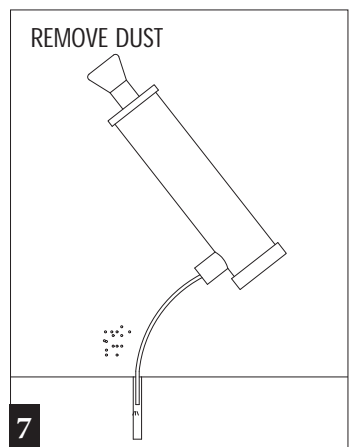
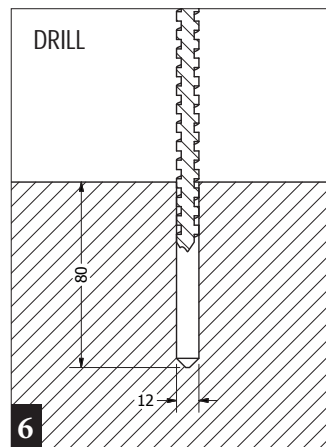
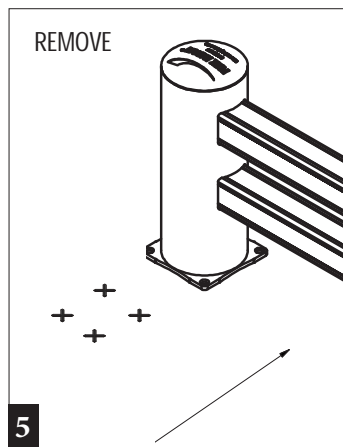
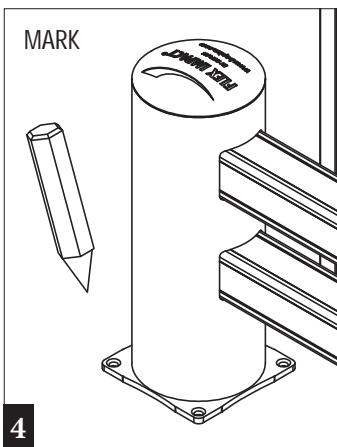
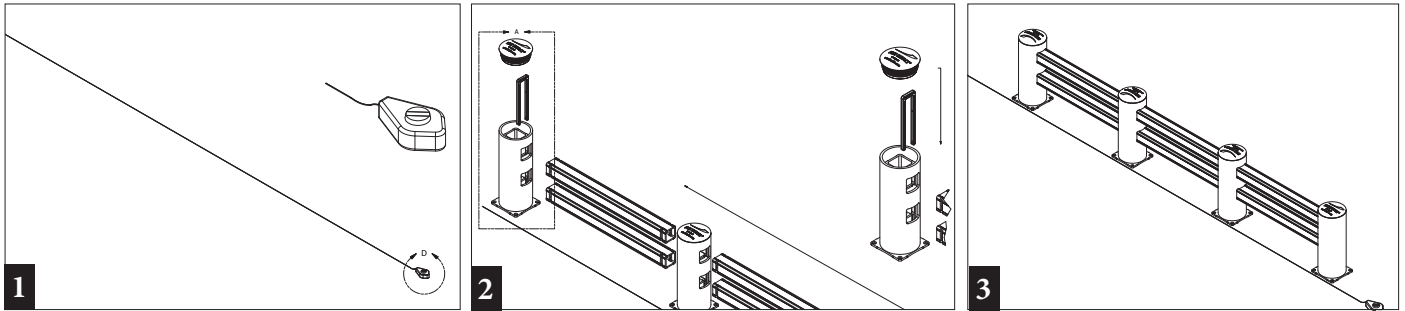
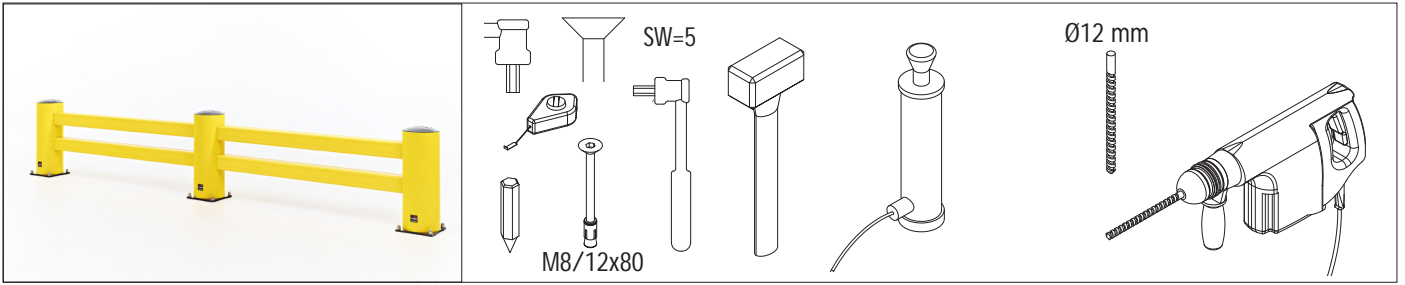


# RE Rack end BO 200

## INSTALLATION SHEET

Effective and economic solution for barrier installation



For more information, please visit [www.boplan.com](http://www.boplan.com)

