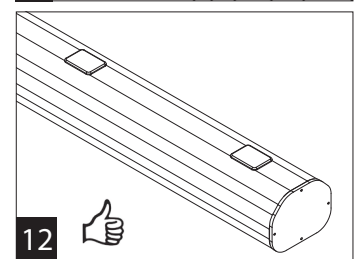
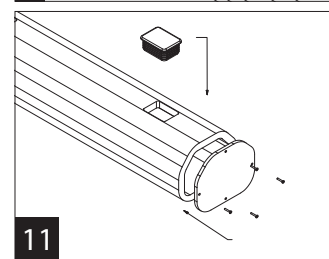
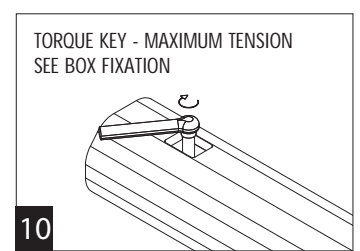
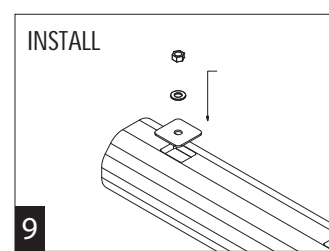
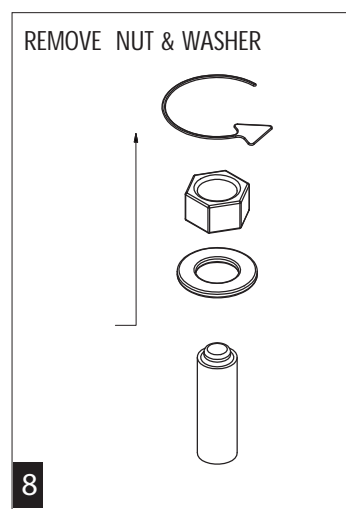
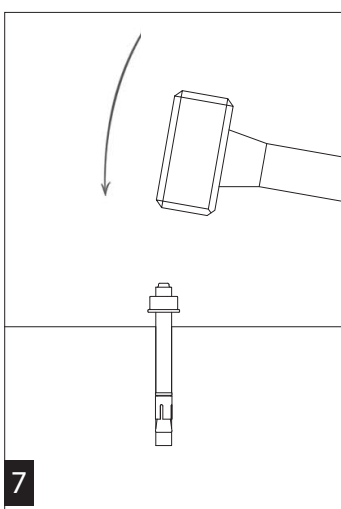
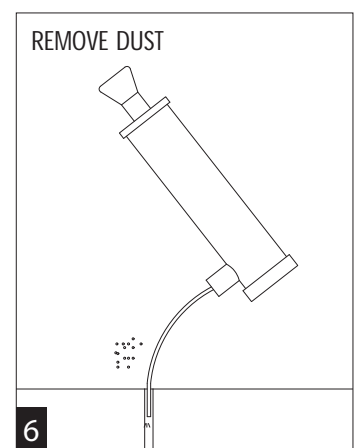
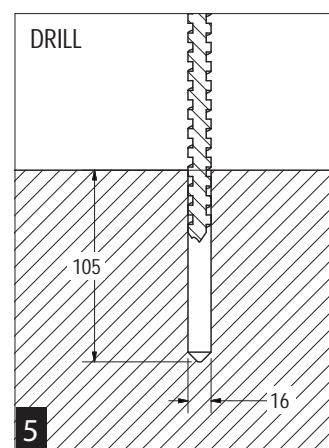
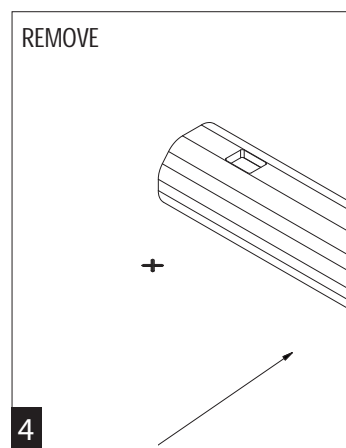
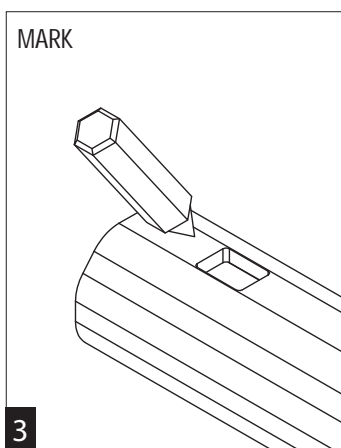
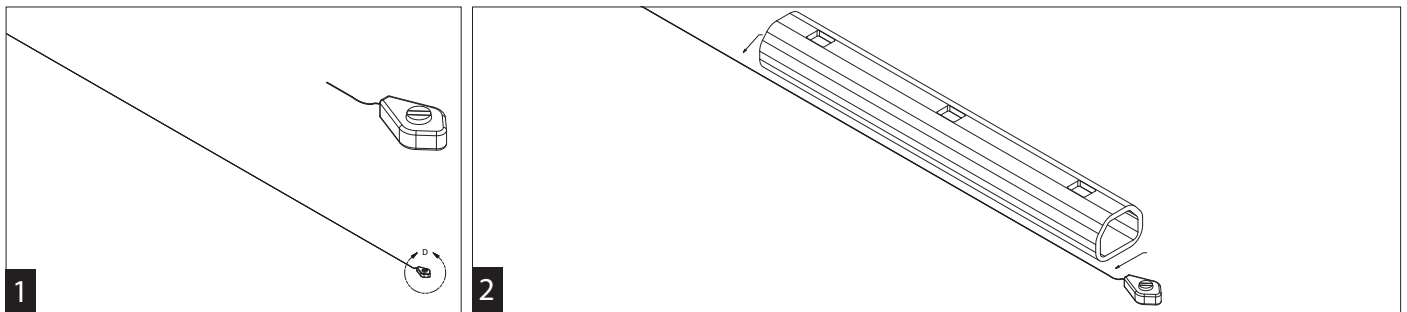
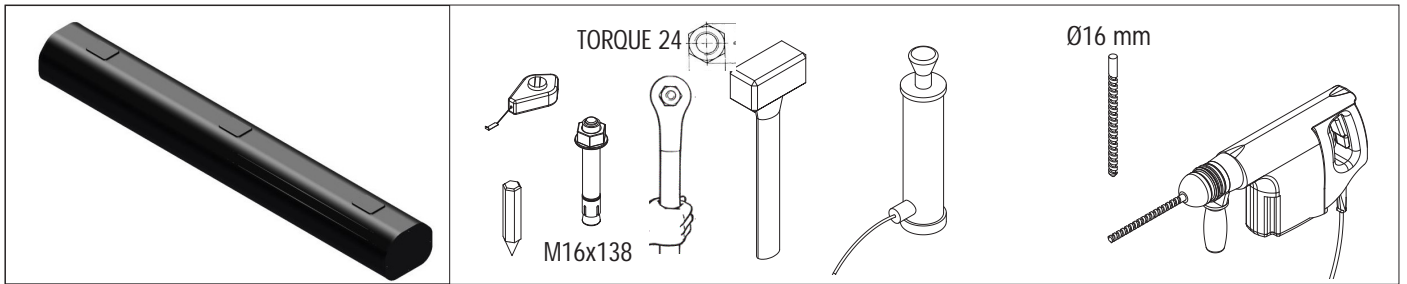


# PL Hexa Heavy Duty

INSTALLATION SHEET

Effective and economic solution for barrier installation



For more information, please visit [www.boplan.com](http://www.boplan.com)

