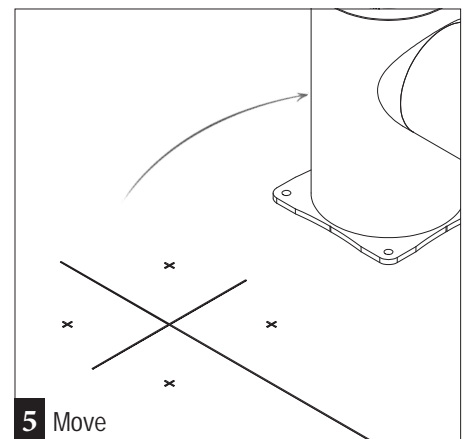
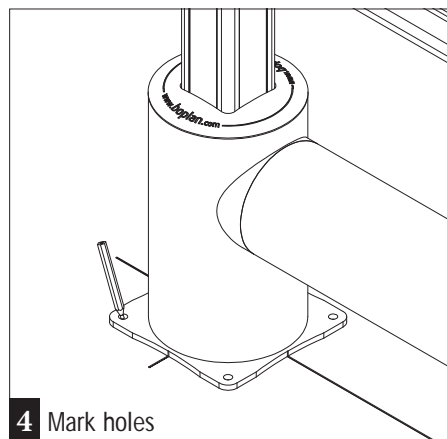
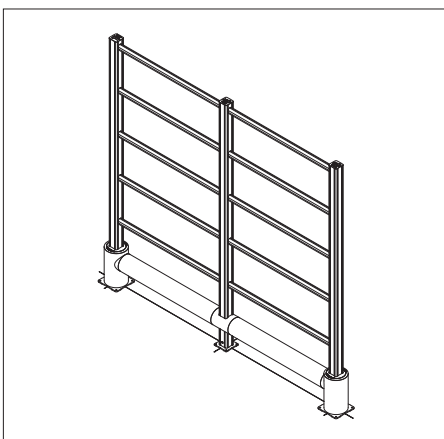
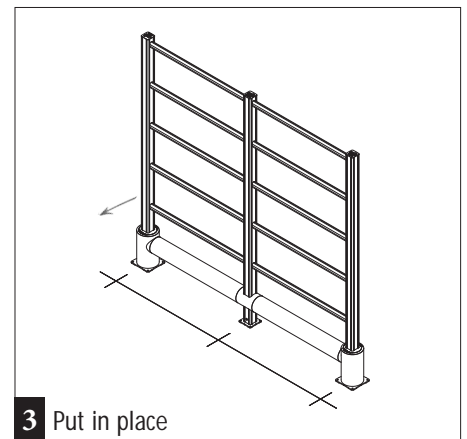
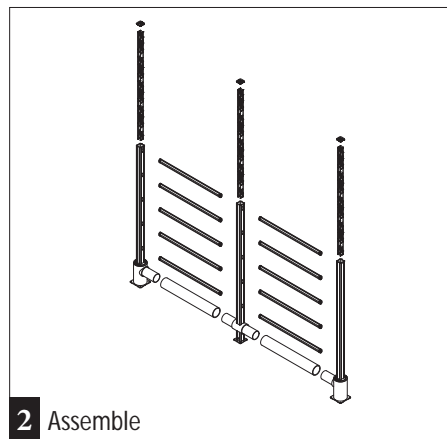
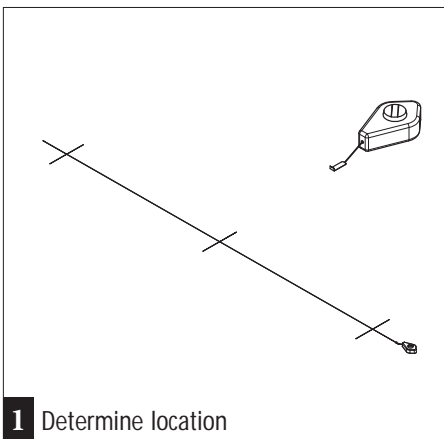
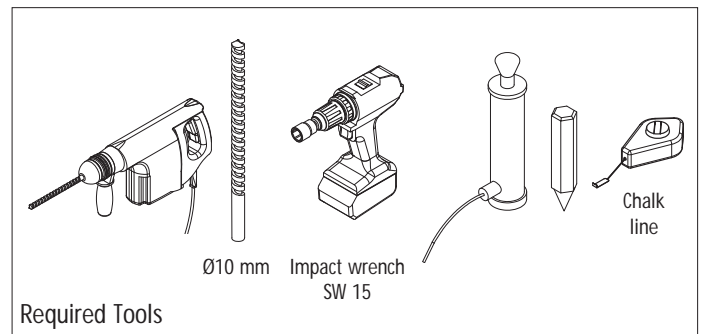


# TB GRILL

GB...-...-....

GD...-...-....

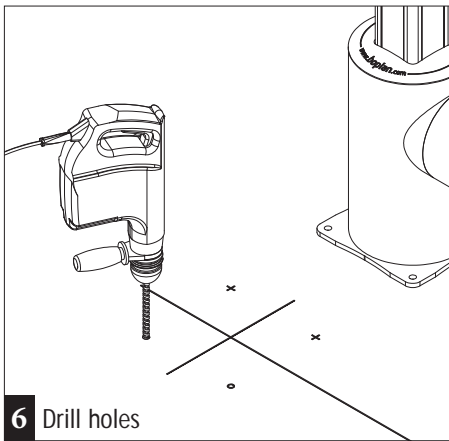
## INSTALLATION SHEET



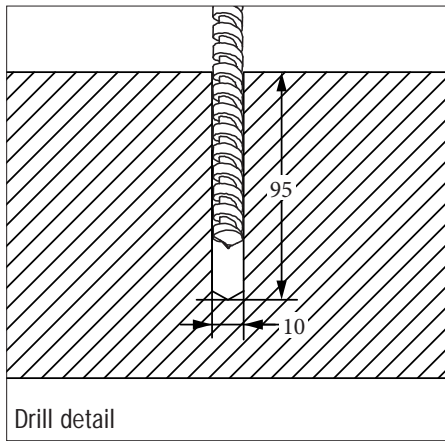
For more information, please visit [www.boplan.com](http://www.boplan.com)

Rev: 7 January 2020 2:33 pm

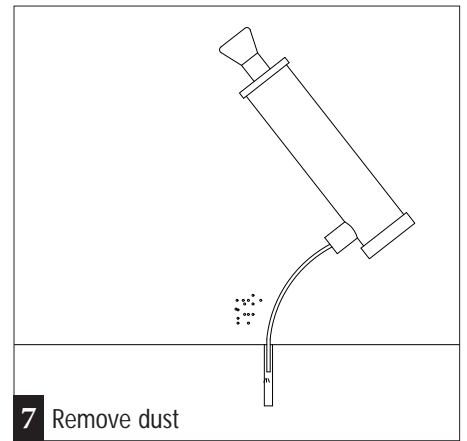




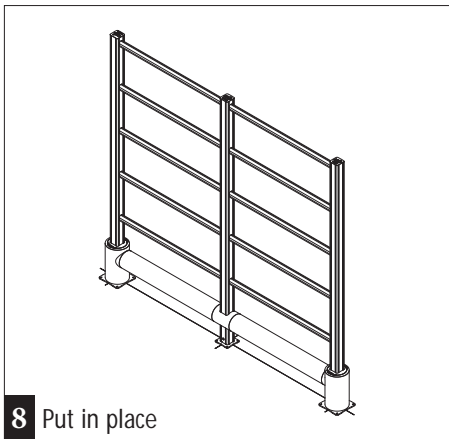
**6** Drill holes



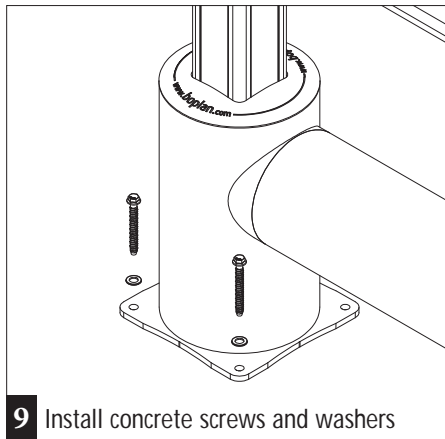
Drill detail



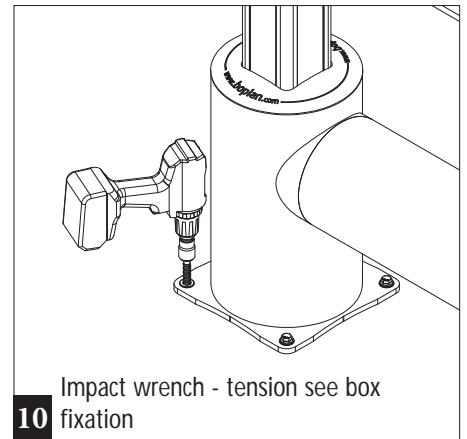
**7** Remove dust



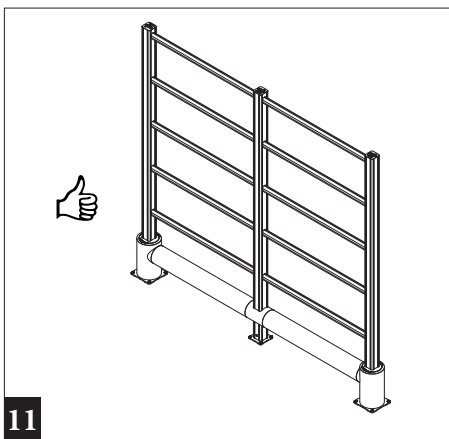
**8** Put in place



**9** Install concrete screws and washers



**10** Impact wrench - tension see box fixation



**11**