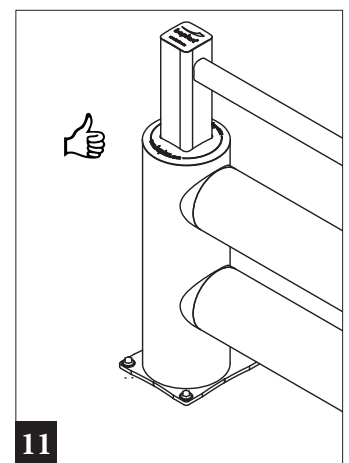
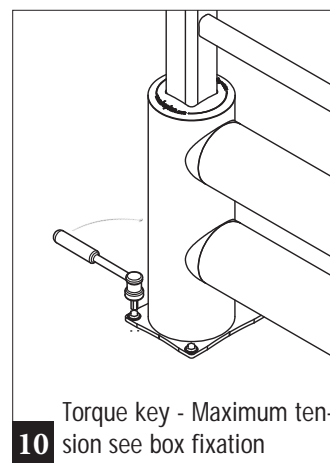
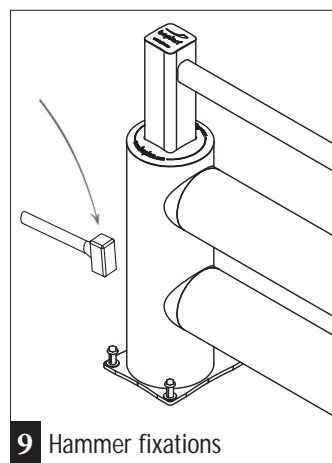
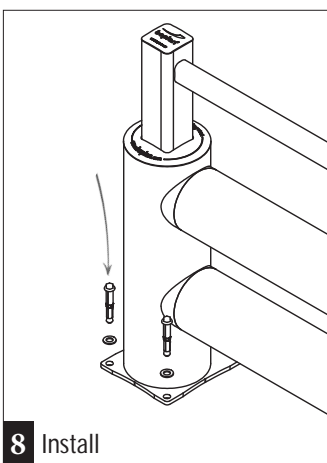
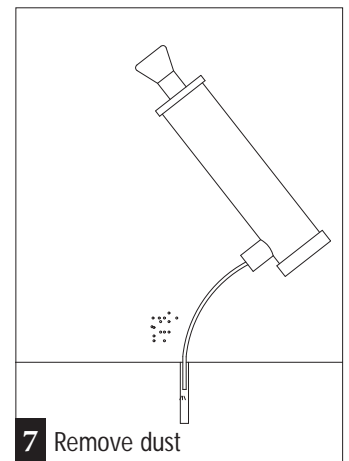
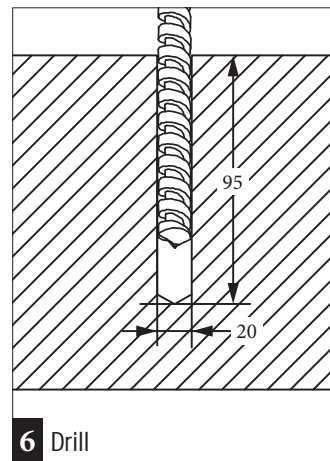
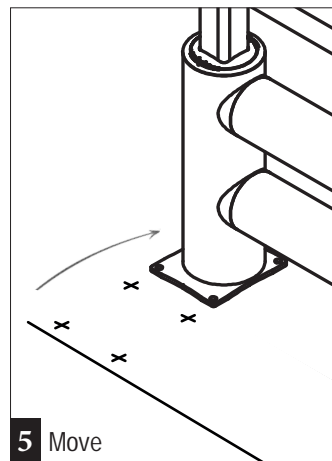
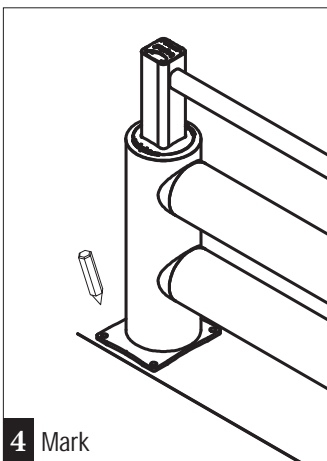
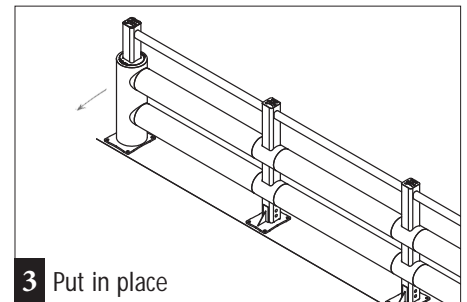
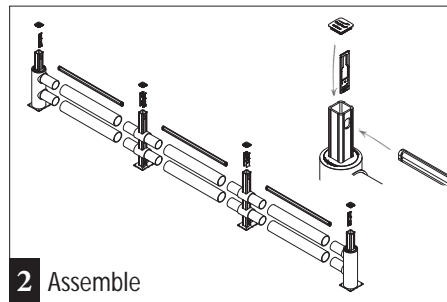
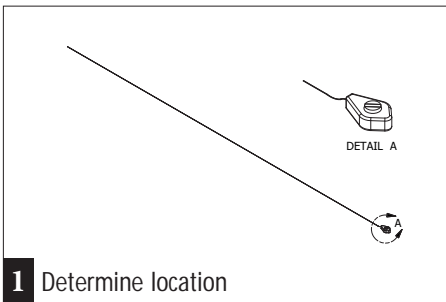
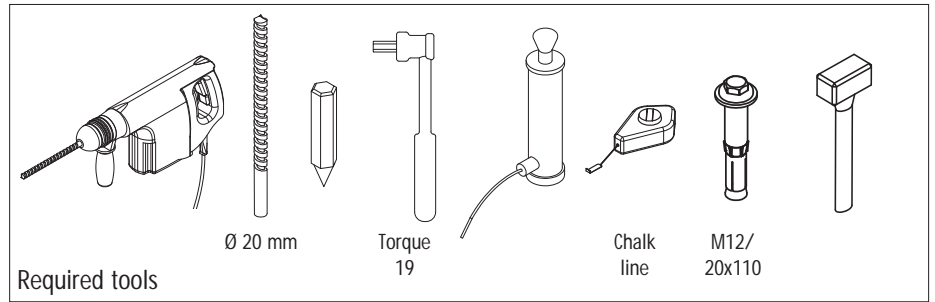


# TB DOUBLE PLUS

## INSTALLATION SHEET

DP4000-....-....



For more information, please visit [www.boplan.com](http://www.boplan.com)

Rev: 6 December 2017 2:10 PM

