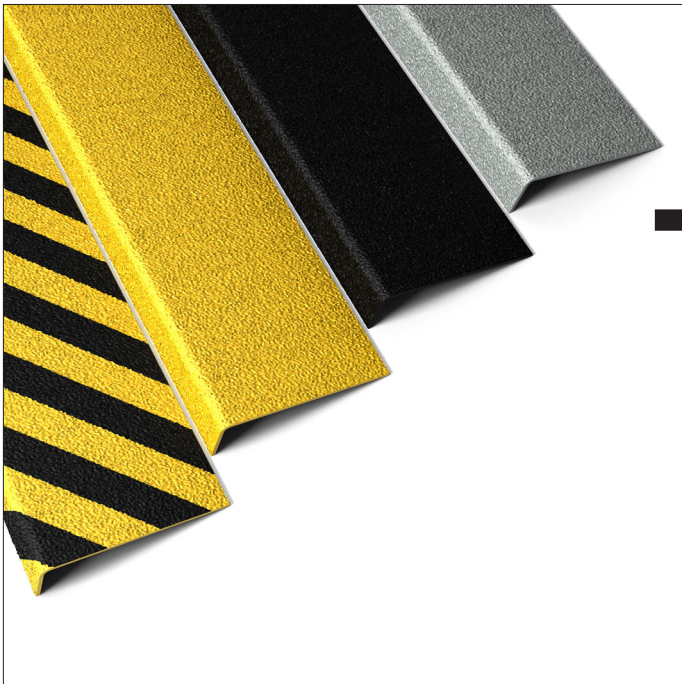


STAIR TREAD COVER + GLUE

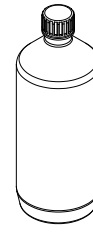
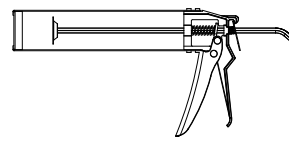
INSTALLATION SHEET

AS0400-....-....

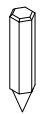
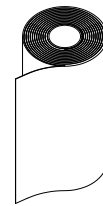
+ FPG600-0290-..



Glue must be ordered separately
Black: FPG600-0290-BL
Grey: FPG600-0290-GR



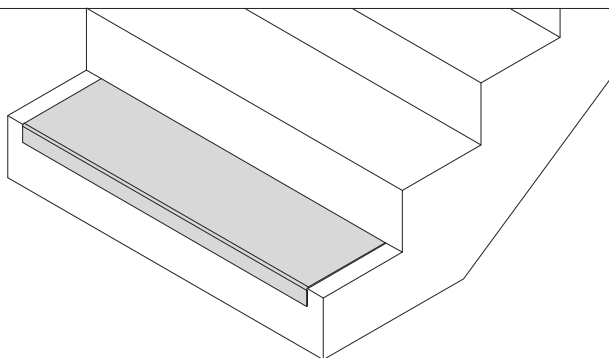
Degreaser



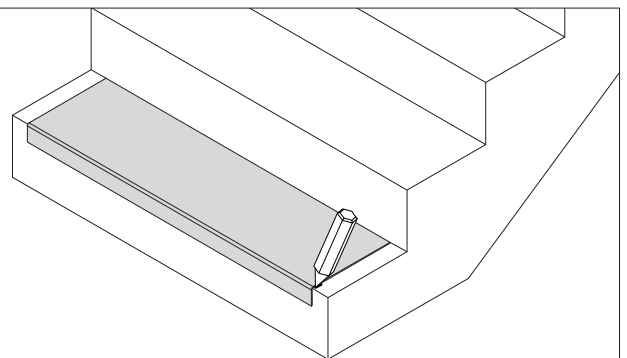
Required Tools

GLUE CHARACTERISTICS AND METHOD OF USE

- Application temperature: +5°C to +40°C
- Vulcanisation rate (23°C and 50% Relative Humidity): 2,5-3mm/24 h
- Recommended degreasers: Butanone (Methyl Ethyl Ketone, MEK), Alcohol, Ethanol
- Bring together the parts to be joined as quickly as possible (Less than 10 minutes)
- It is advised to have 3,2mm between the parts to be bonded.



1 Determine Location



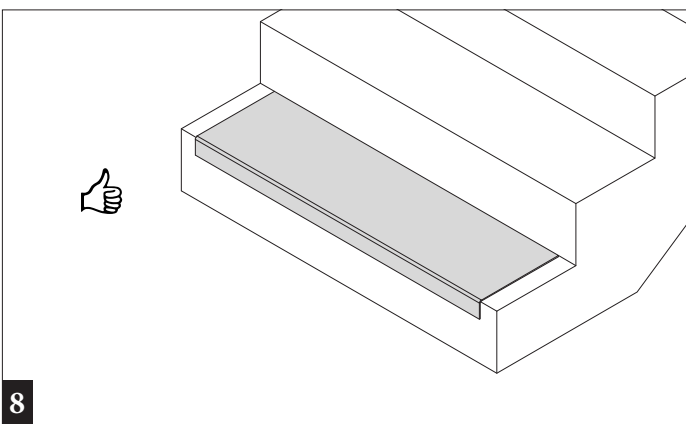
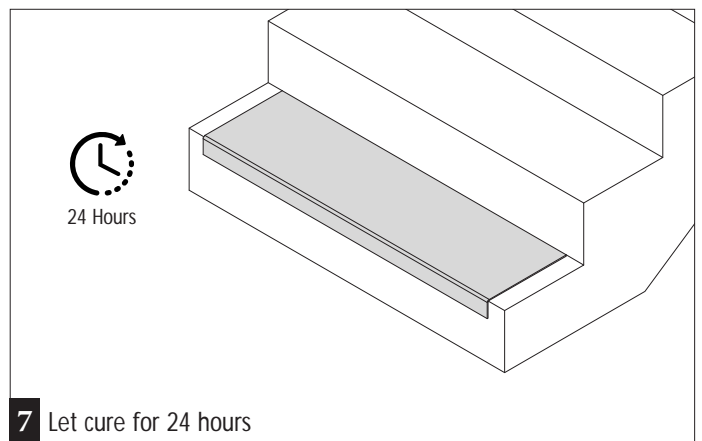
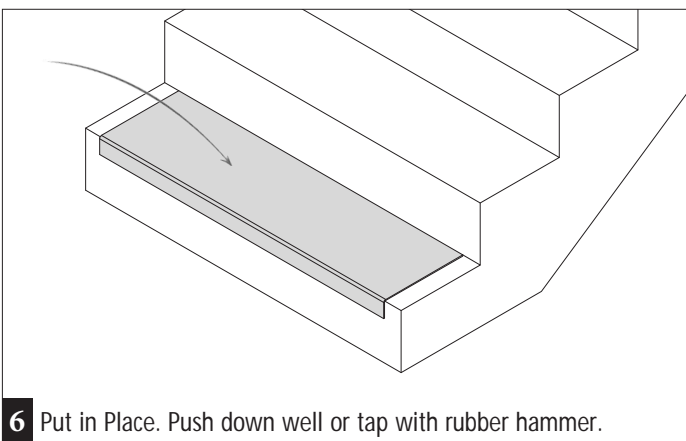
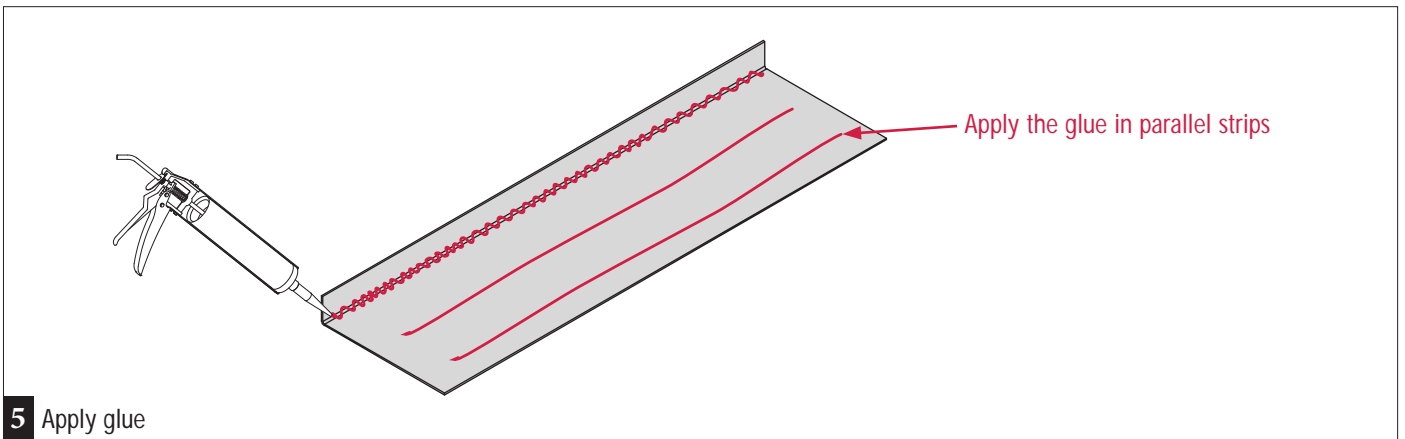
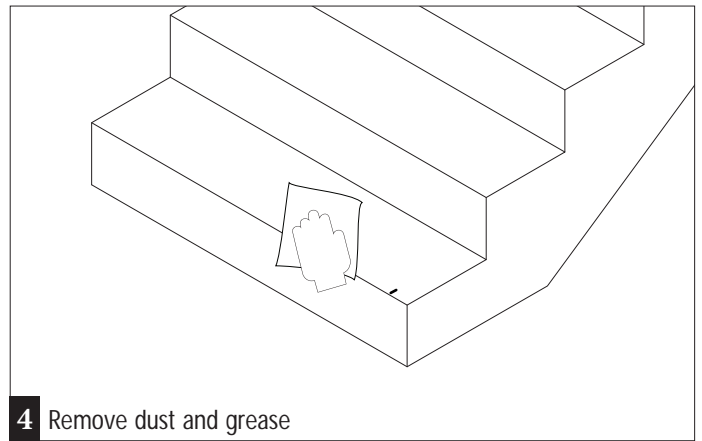
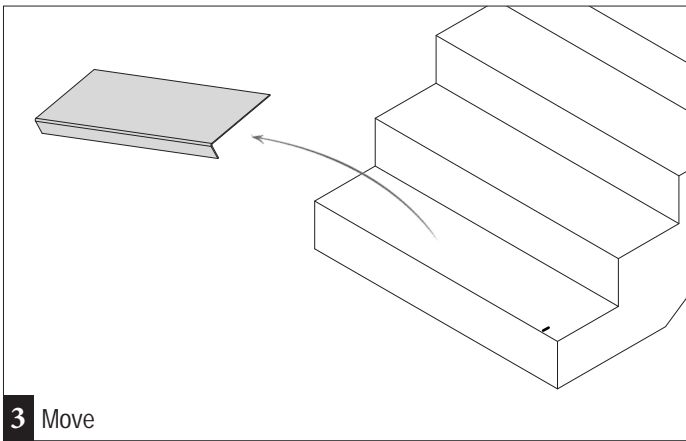
2 Mark



For more information, please visit www.boplan.com

Rev: 7 March 2018 9:10 AM

XTRA GRIP
BY BOPLAN



For more information, please visit www.boplan.com

Rev: 7 March 2018 9:10 AM

