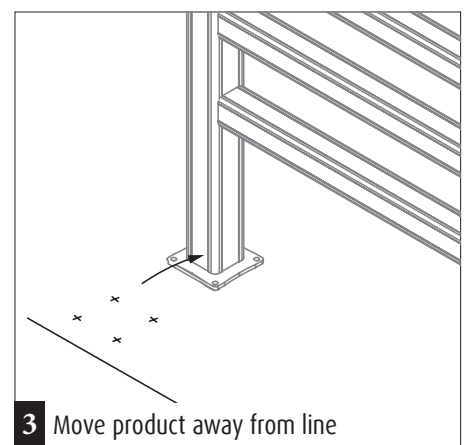
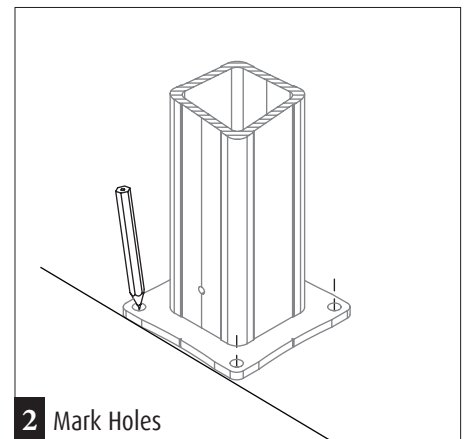
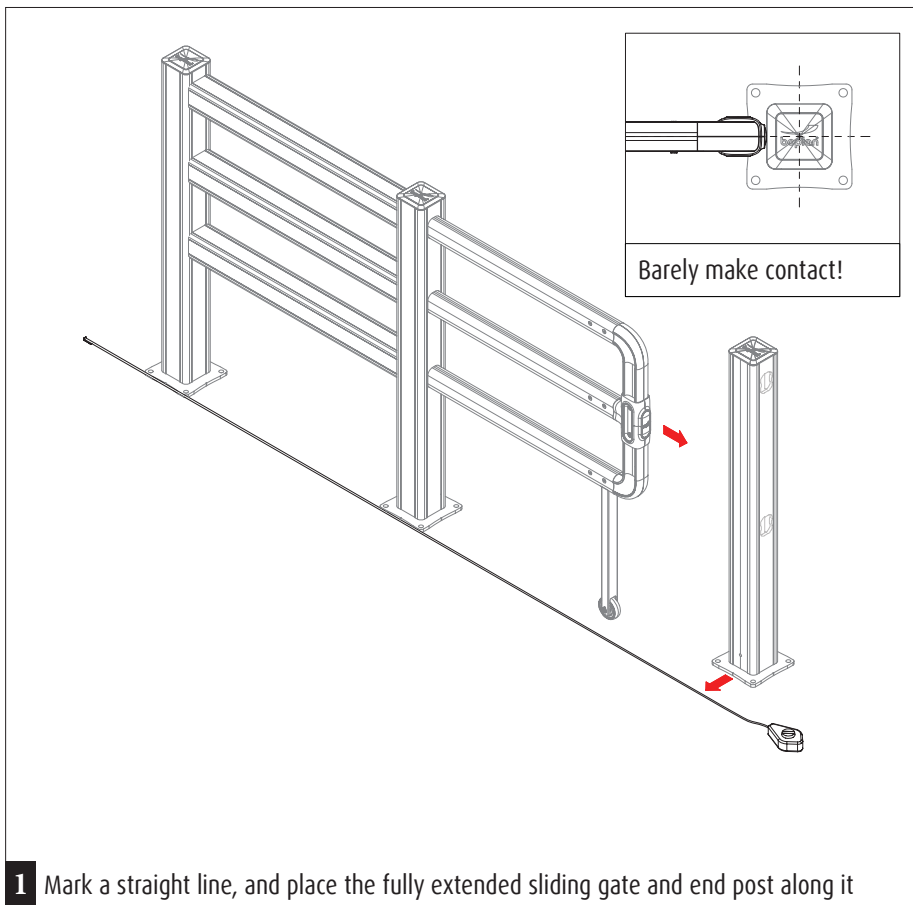
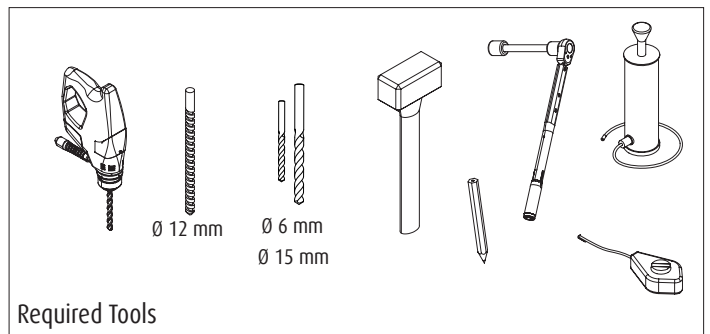
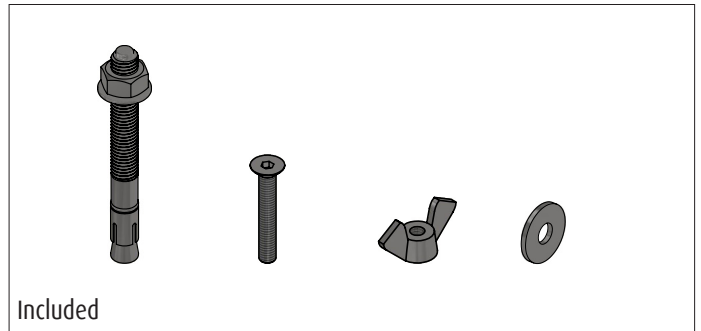


# SG SLIDING GATE

## INSTALLATION SHEET

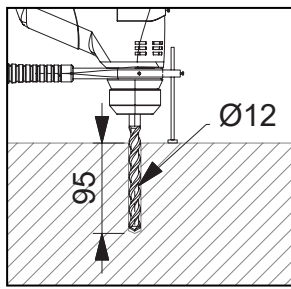
Reference: SG12... / SG13 ...



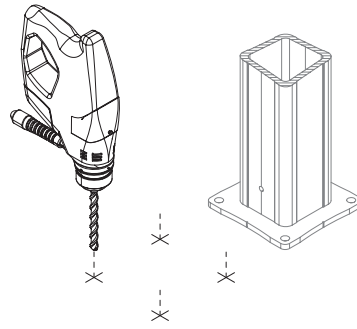
For more information, please visit [www.boplan.com](http://www.boplan.com)

Rev: 23 February 2022 9:33 am

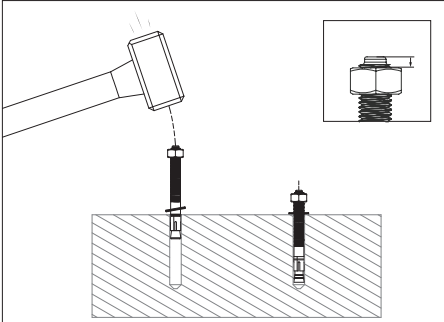
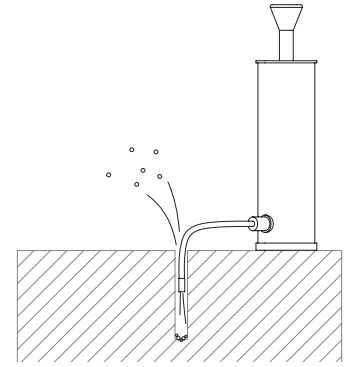




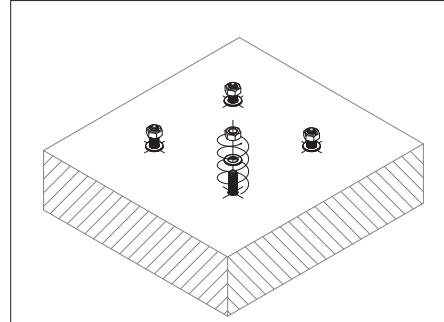
**4** Drill holes



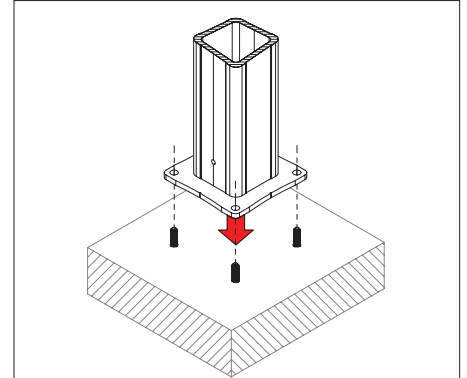
**5** Remove debris from holes



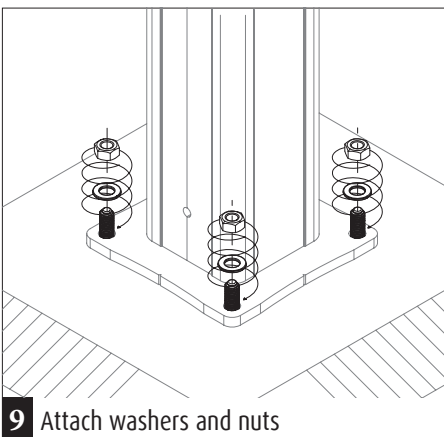
**6** Insert the anchors with nuts and washers attached all the way down to the end of the drilled hole.



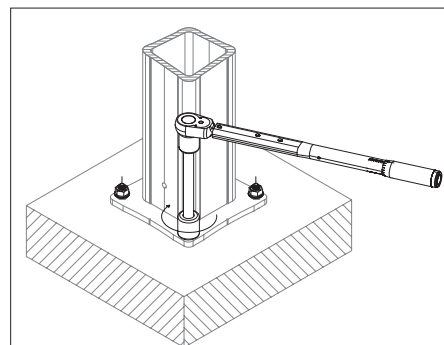
**7** Remove nuts and washers before continuing



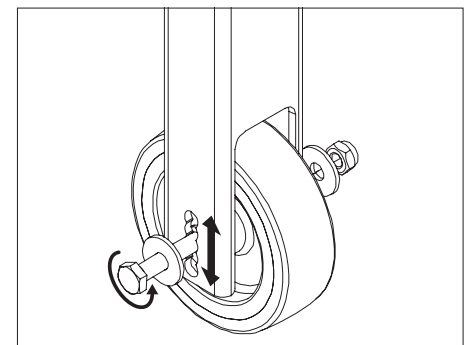
**8** Place the posts over the anchors



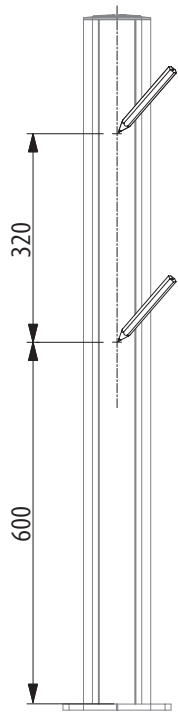
**9** Attach washers and nuts



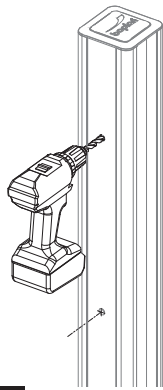
**10** Fasten nuts with torque key. For tension setting, see fixation box



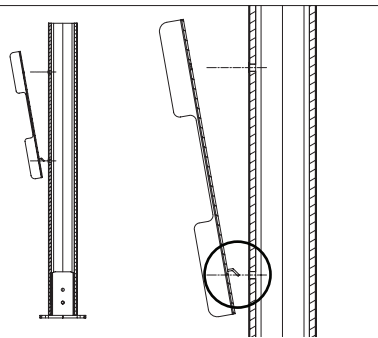
**11** Adjust the support wheel height to ensure smooth opening and closing.



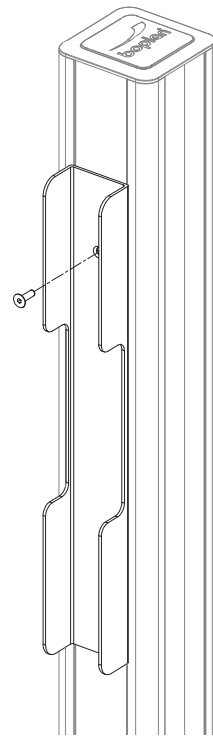
**A1** Identify the side on the separate end post where the gate will make contact. Mark holes for drilling.



**A2** Drill holes



**A3** Insert the bottom lip of the profile in the bottom hole and align.



**A4** Fasten the screw and nut to the profile



For more information, please visit [www.boplan.com](http://www.boplan.com)

Rev: 23 February 2022 9:33 am

