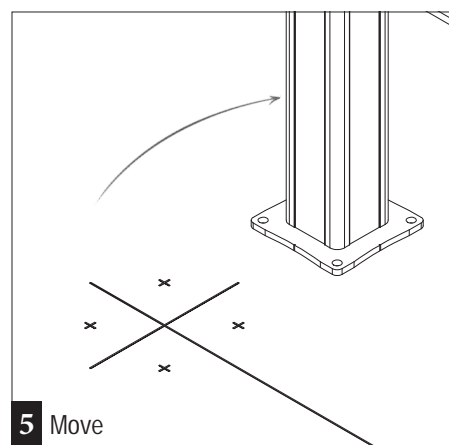
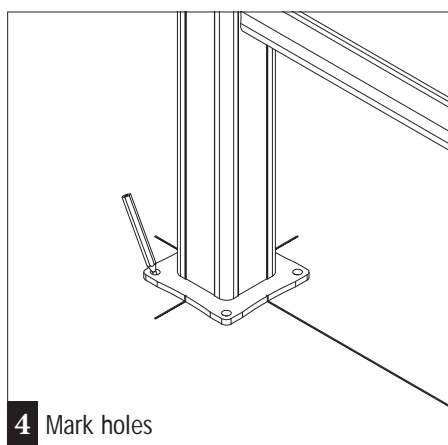
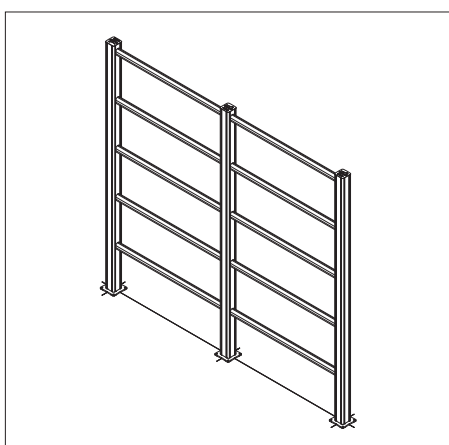
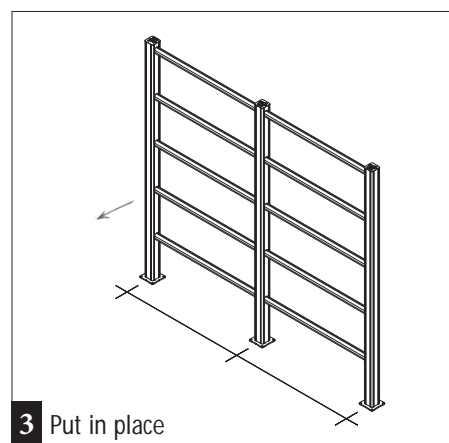
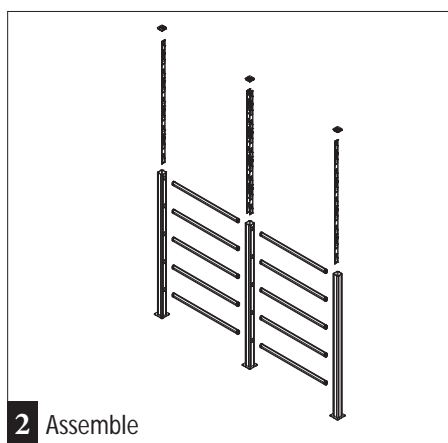
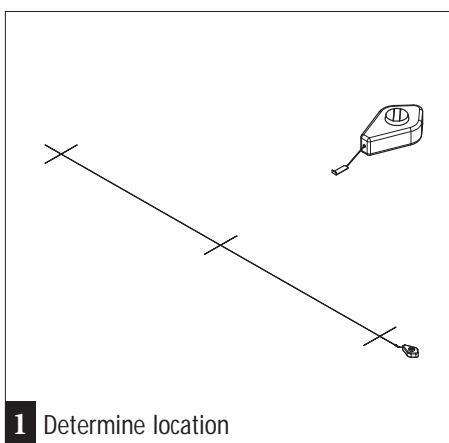
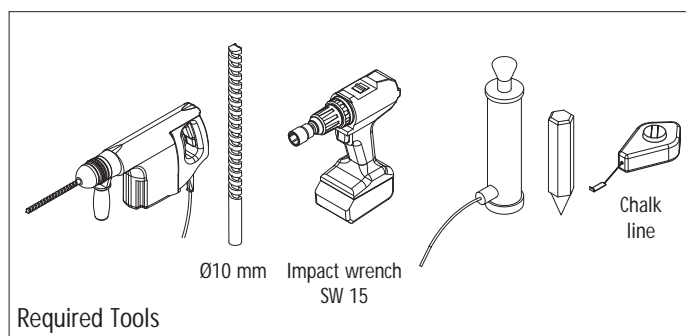


HP GRILL

INSTALLATION SHEET

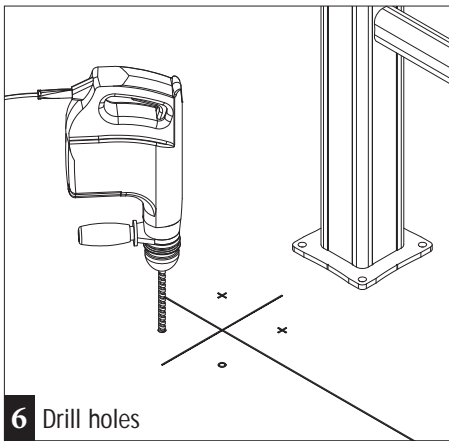
GH....-....-....



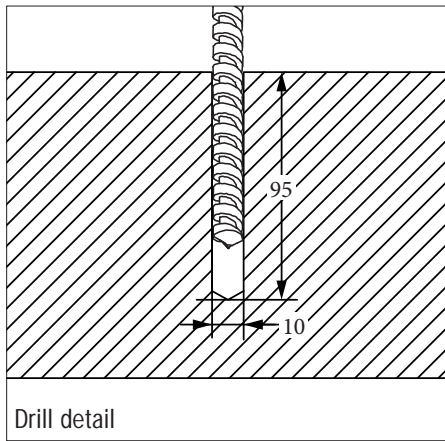
For more information, please visit www.boplan.com

Rev: 8 January 2020 10:25 am

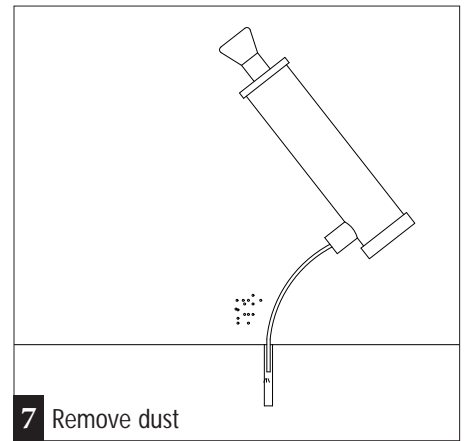




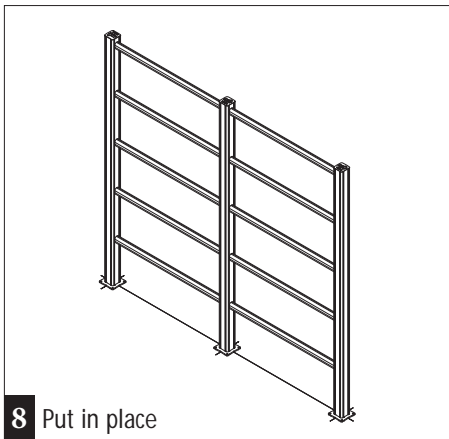
6 Drill holes



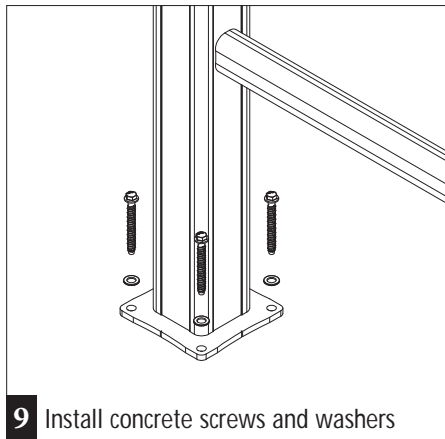
Drill detail



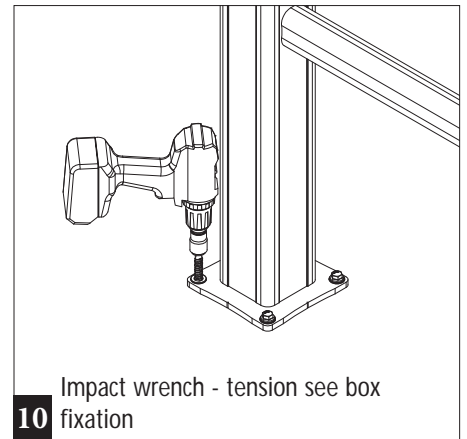
7 Remove dust



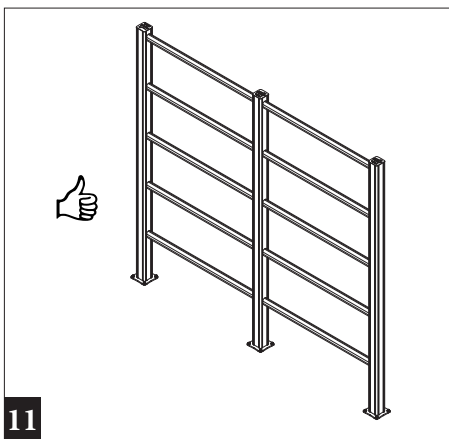
8 Put in place



9 Install concrete screws and washers



10 Impact wrench - tension see box fixation



11