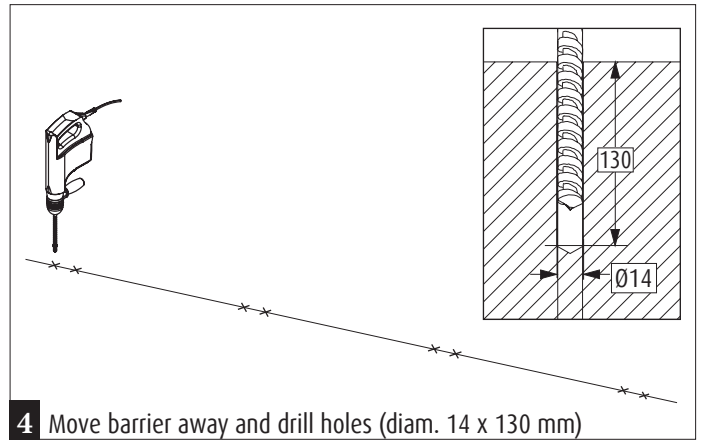
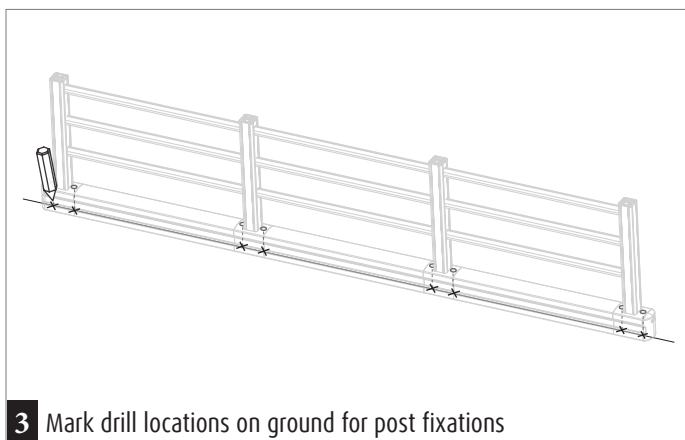
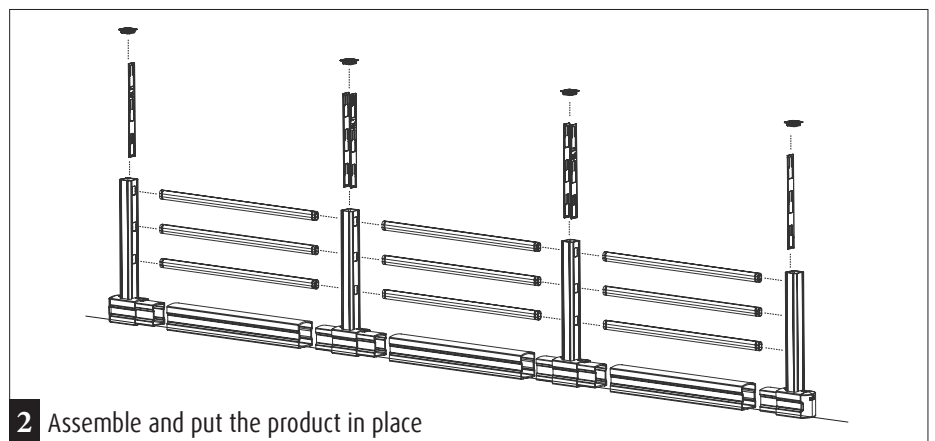
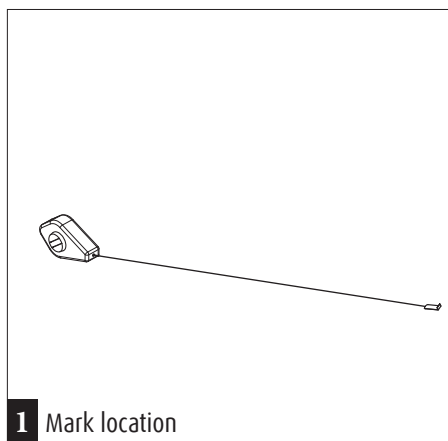
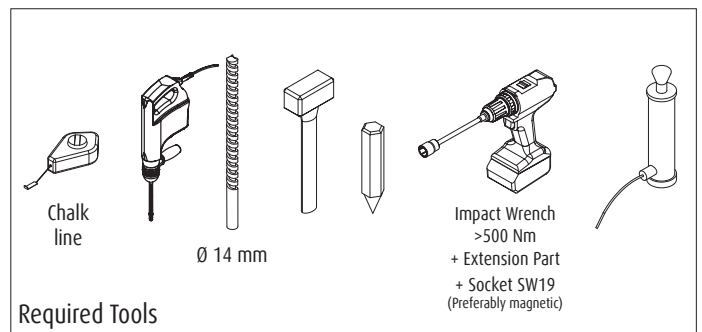
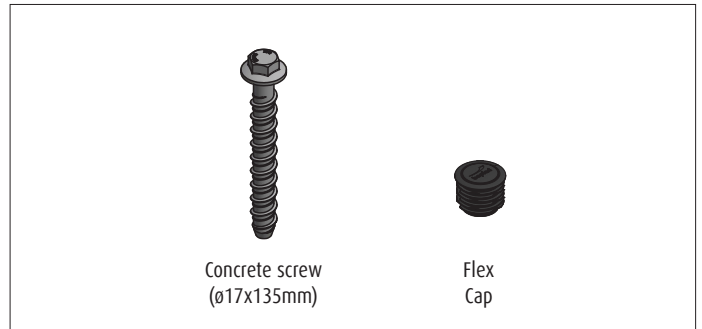


FLIP PLUS

INSTALLATION SHEET

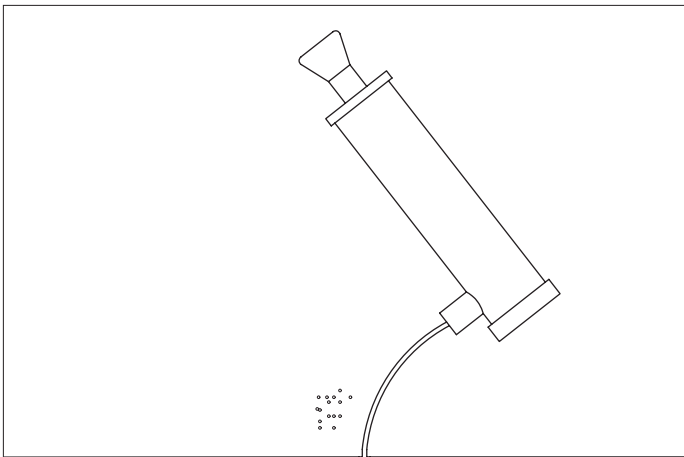
Reference PL2300-...



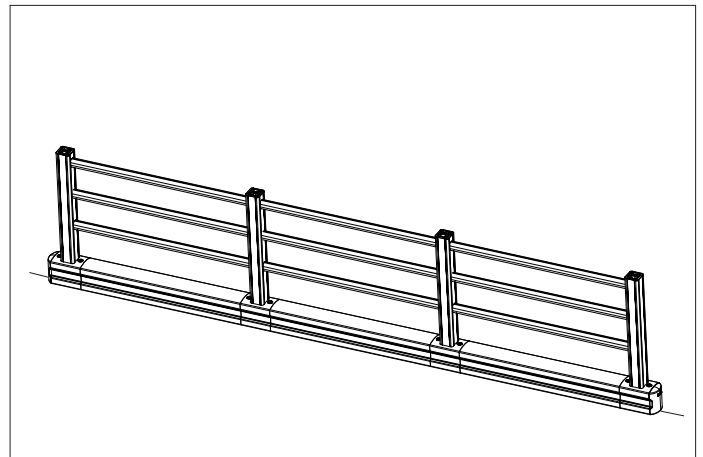
For more information, please visit www.boplan.com

Rev: 22 March 2022 1:33 pm

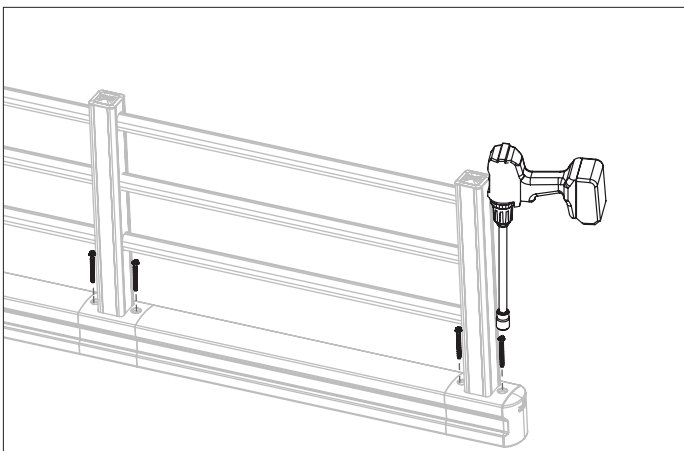




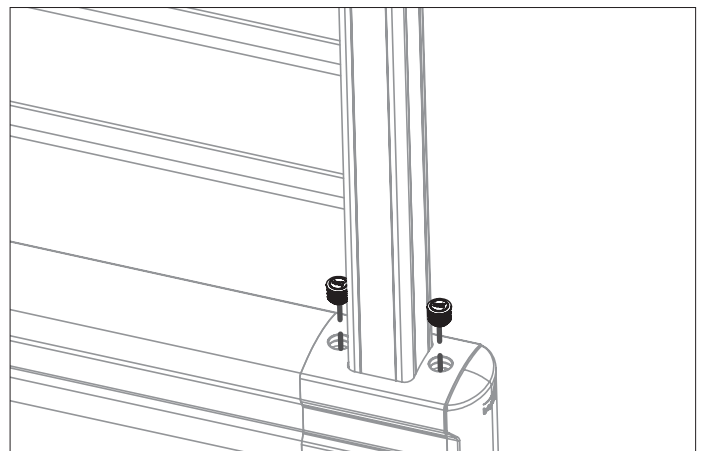
5 Remove dust



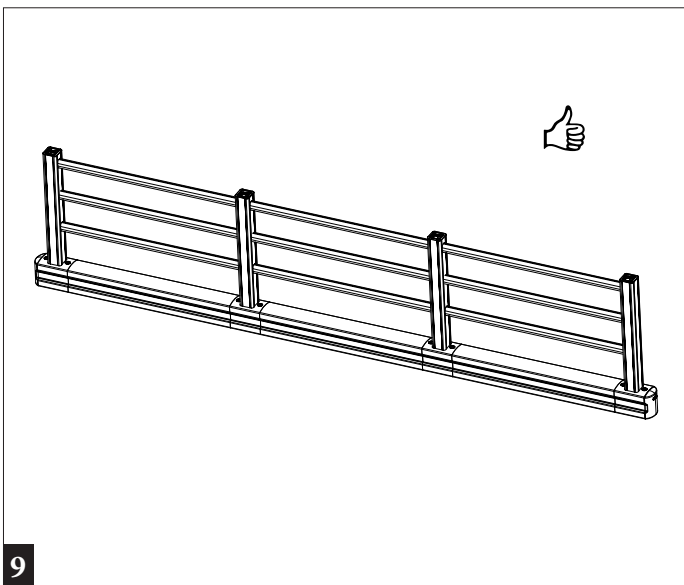
6 Put product back in place and align the holes



7 Position the screws and tighten with impact wrench.
Torque = 100 Nm



8 Mount flex caps in holes on each post



9



For more information, please visit www.boplan.com

Rev: 22 March 2022 1:33 pm

