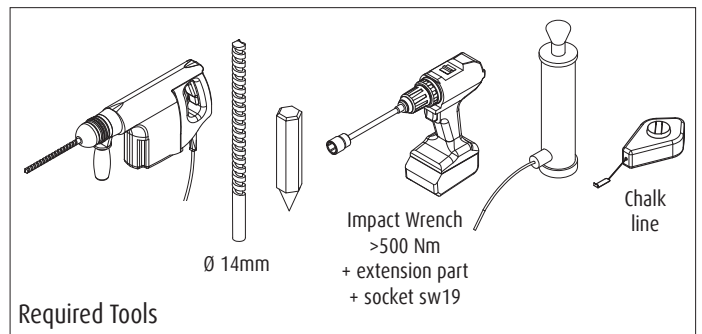
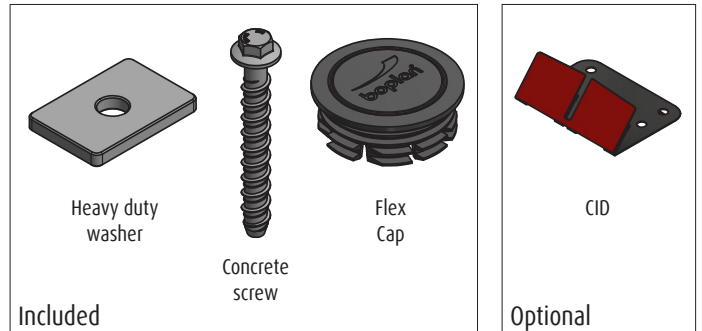


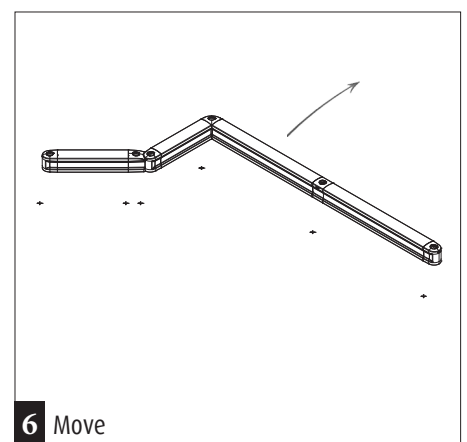
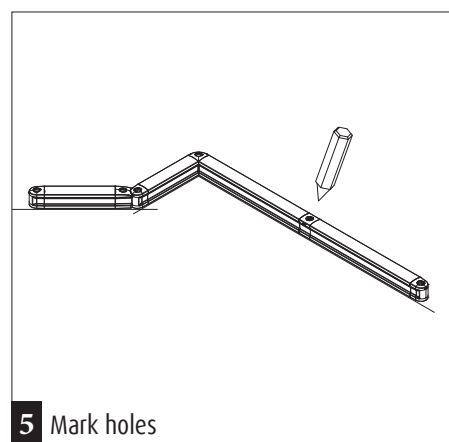
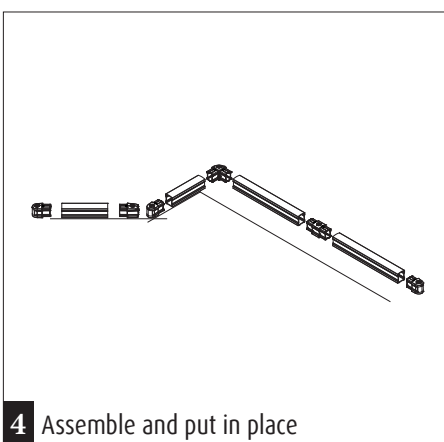
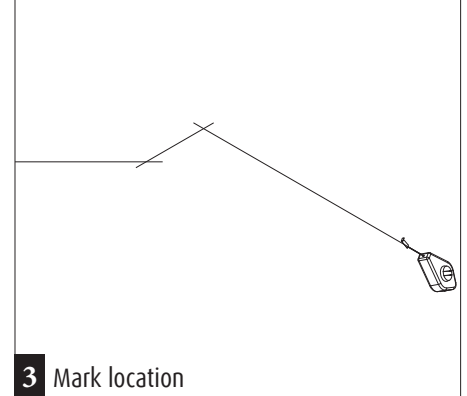
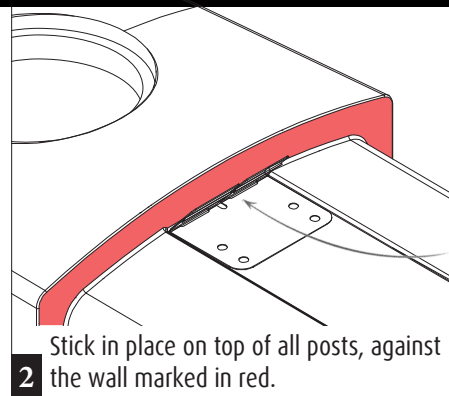
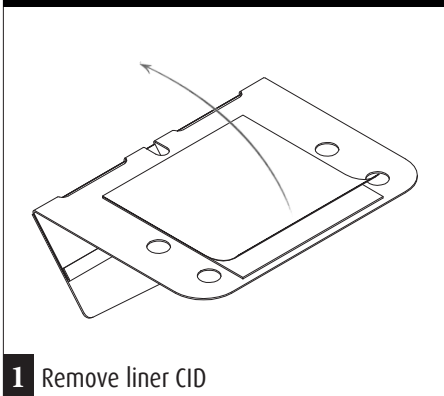
FLIP 180 M

INSTALLATION SHEET

PL1800-....-....



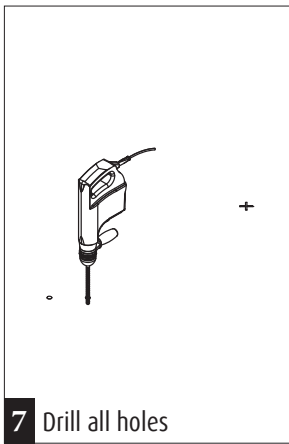
Optional CID



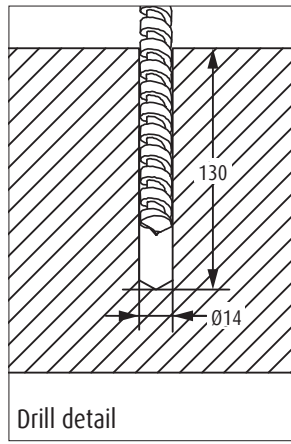
For more information, please visit www.boplan.com

Rev: 17 February 2022 11:14 am

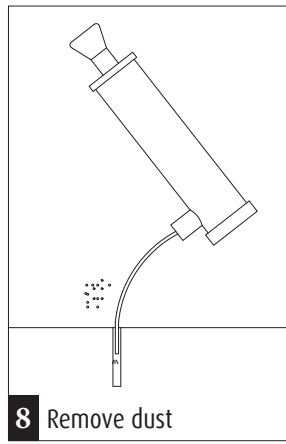




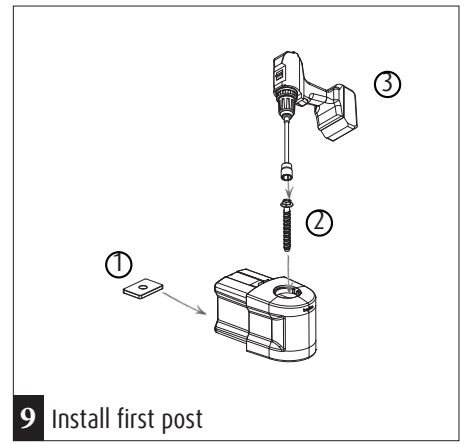
7 Drill all holes



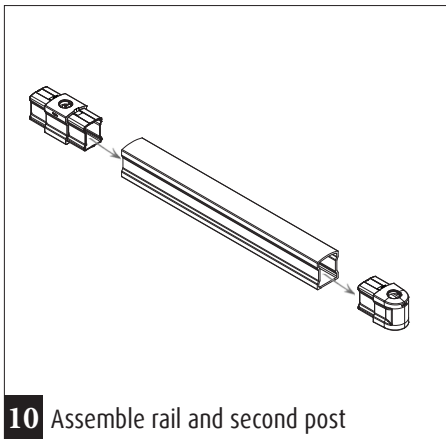
Drill detail



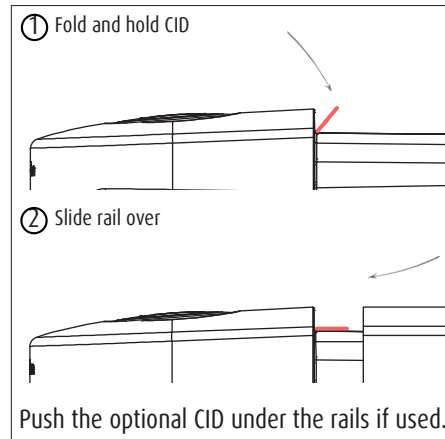
8 Remove dust



9 Install first post



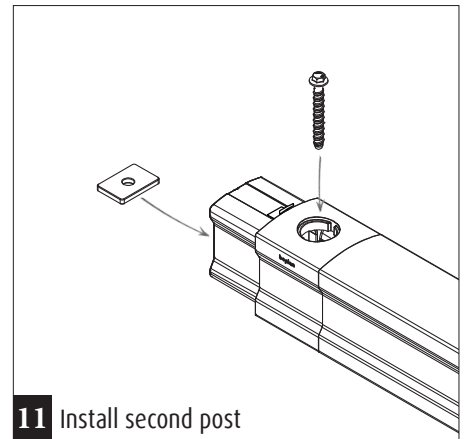
10 Assemble rail and second post



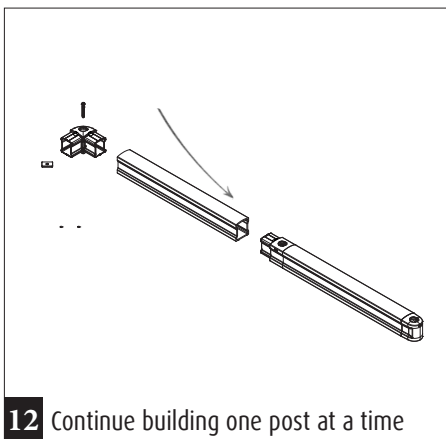
① Fold and hold CID

② Slide rail over

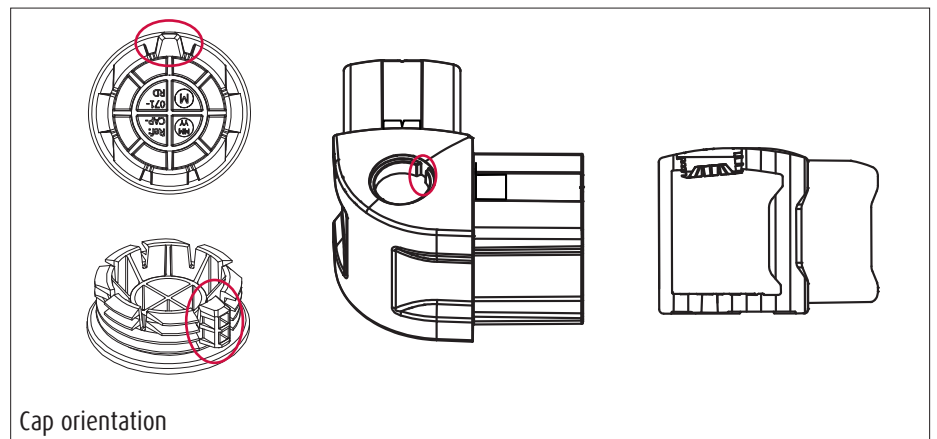
Push the optional CID under the rails if used.



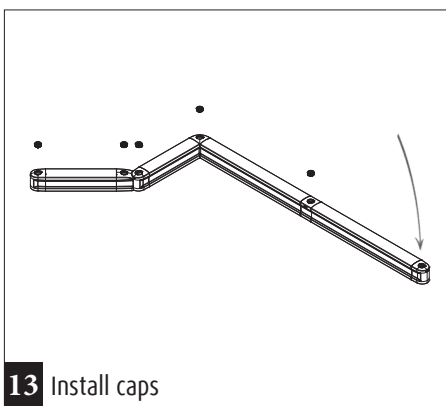
11 Install second post



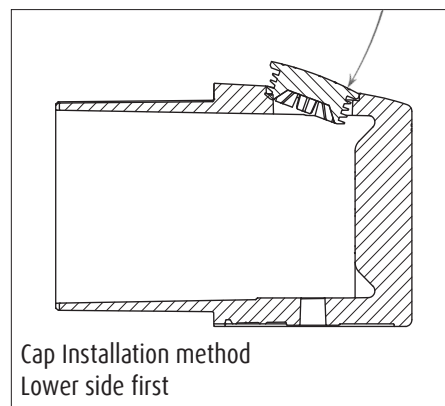
12 Continue building one post at a time



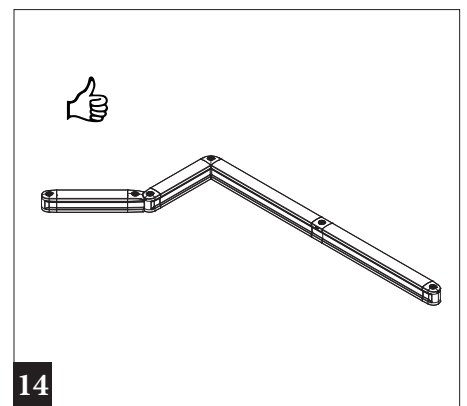
Cap orientation



13 Install caps



Cap Installation method
Lower side first



14



For more information, please visit www.boplan.com

Rev: 17 February 2022 11:14 am

