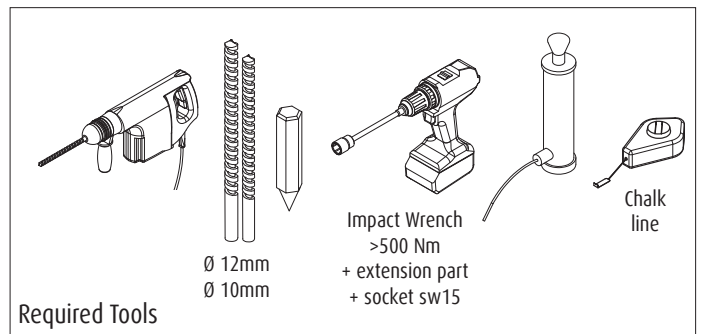
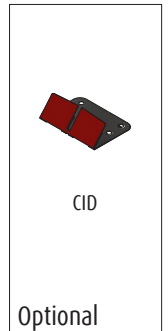
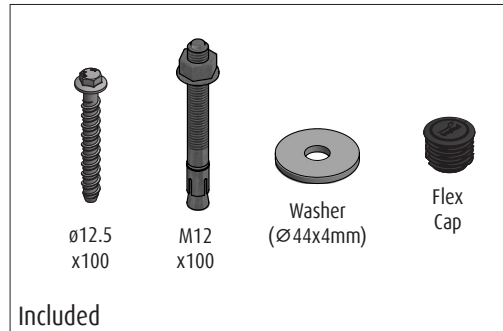


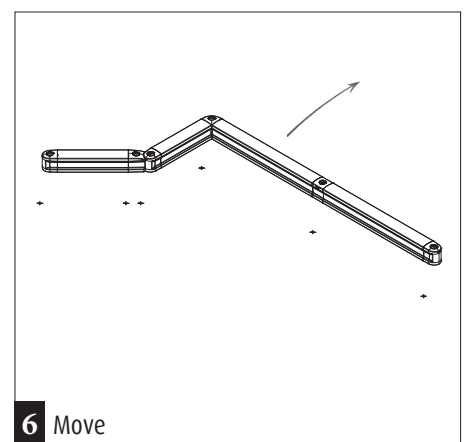
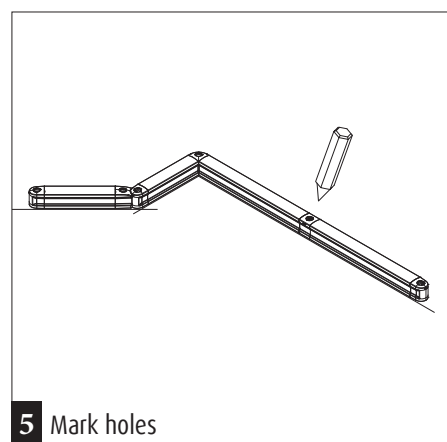
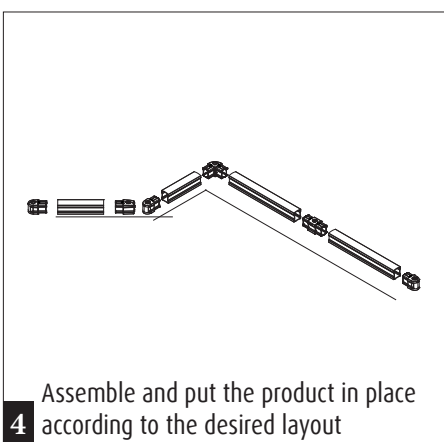
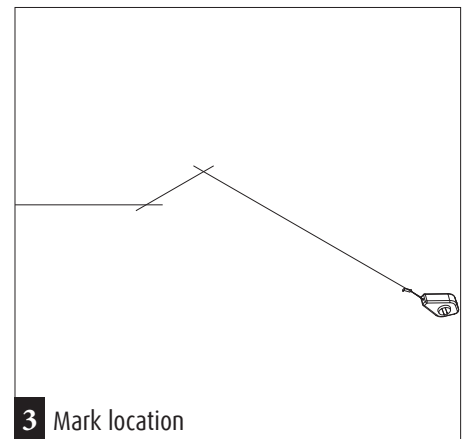
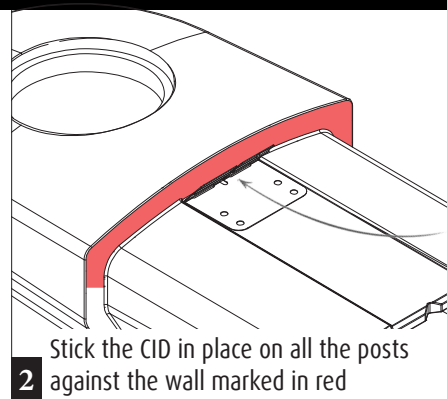
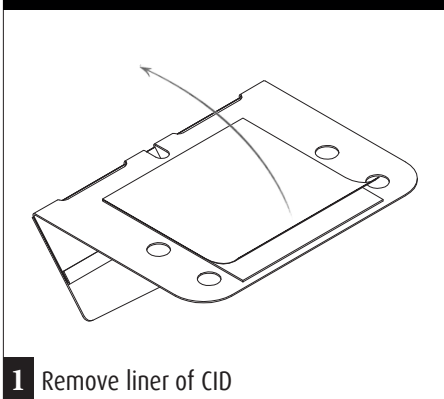
FLIP 120M

INSTALLATION SHEET

PL1200-....-....



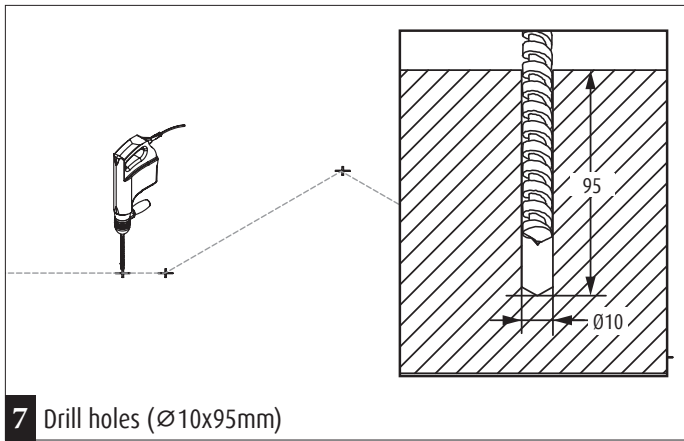
Optional CID



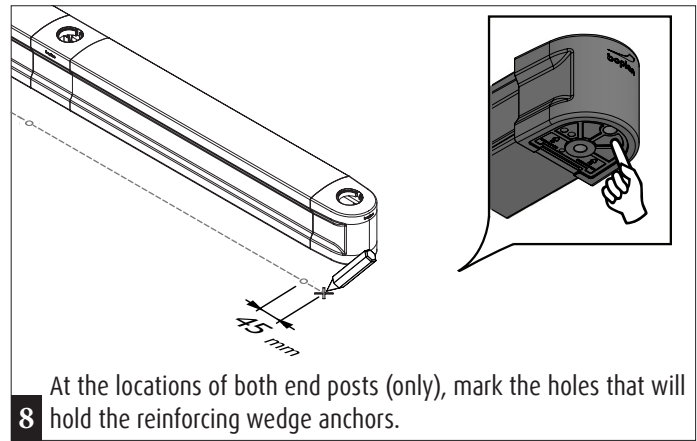
For more information, please visit www.boplan.com

Rev: 24 March 2022 4:22 pm

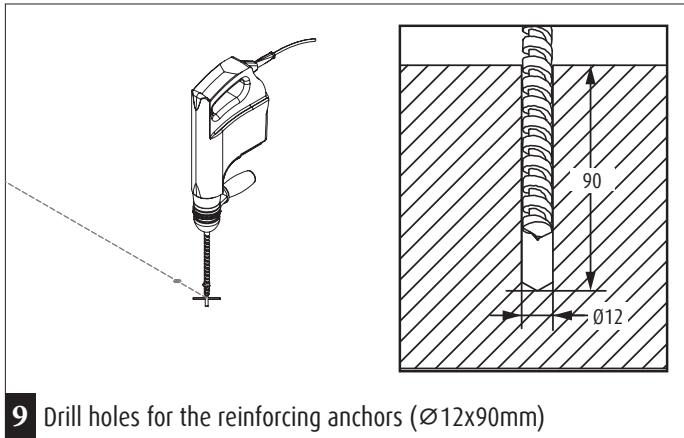




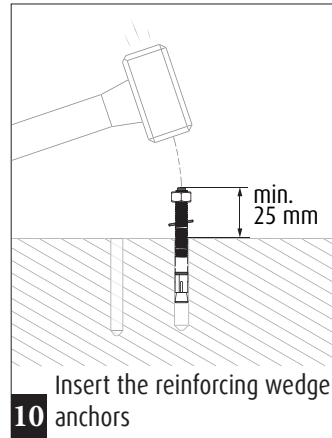
7 Drill holes ($\varnothing 10 \times 95 \text{ mm}$)



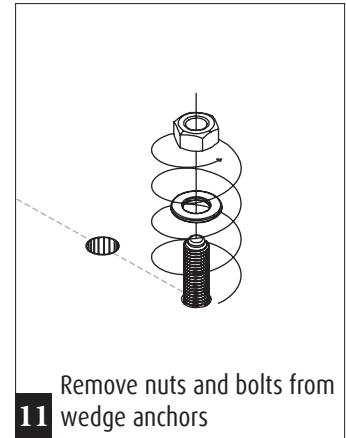
8 At the locations of both end posts (only), mark the holes that will hold the reinforcing wedge anchors.



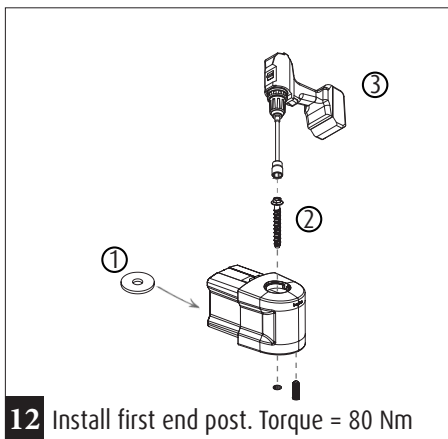
9 Drill holes for the reinforcing anchors ($\varnothing 12 \times 90 \text{ mm}$)



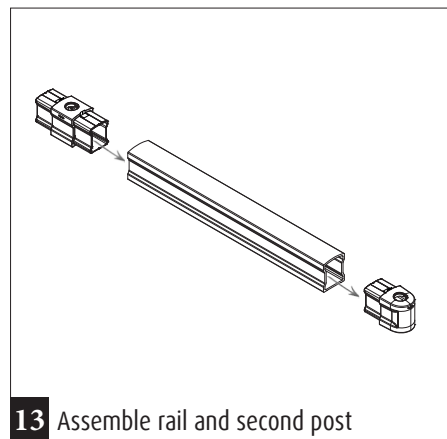
10 Insert the reinforcing wedge anchors



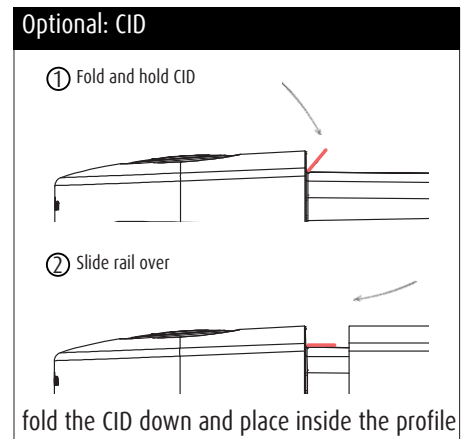
11 Remove nuts and bolts from wedge anchors



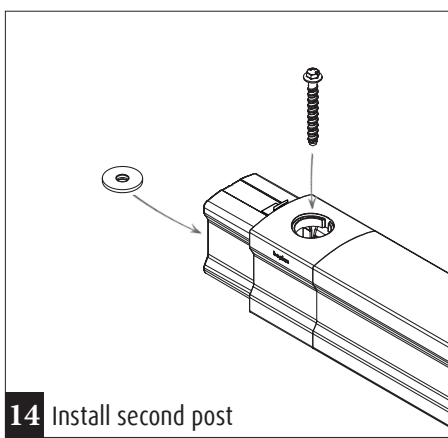
12 Install first end post. Torque = 80 Nm



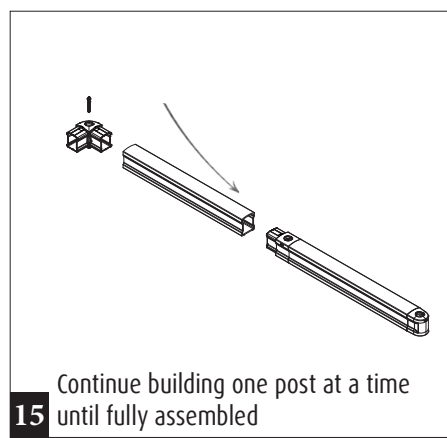
13 Assemble rail and second post



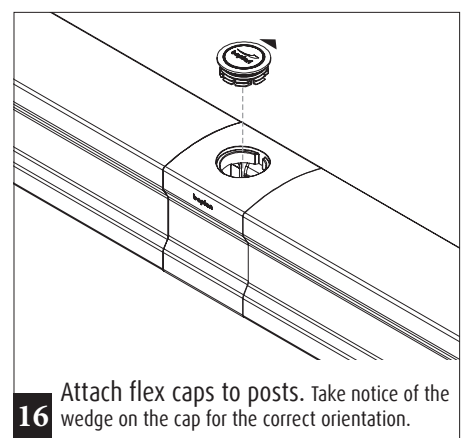
Optional: CID
fold the CID down and place inside the profile



14 Install second post



15 Continue building one post at a time until fully assembled



16 Attach flex caps to posts. Take notice of the wedge on the cap for the correct orientation.