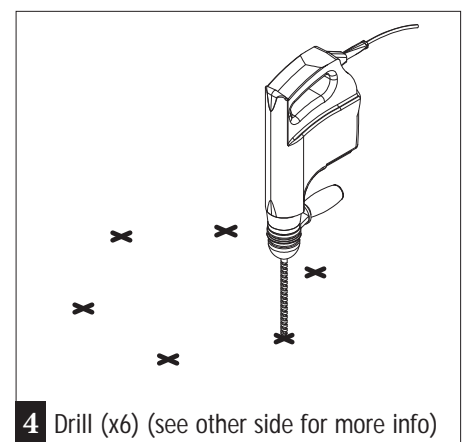
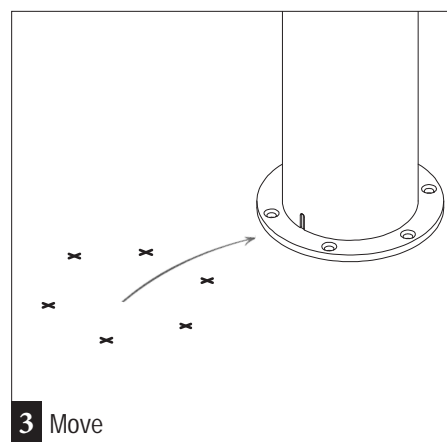
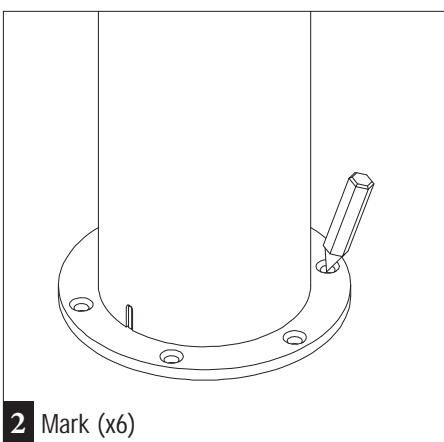
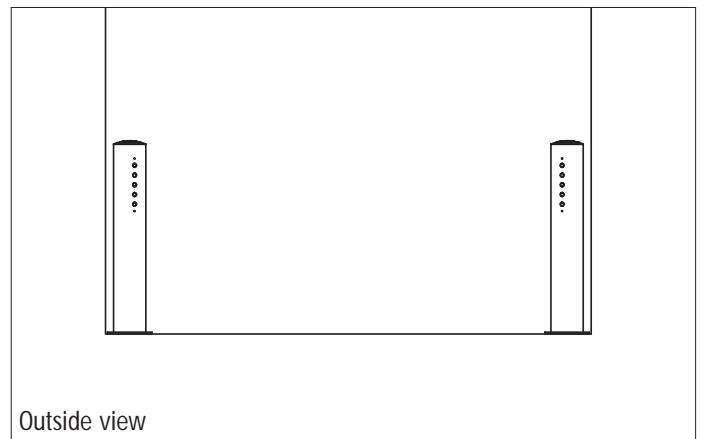
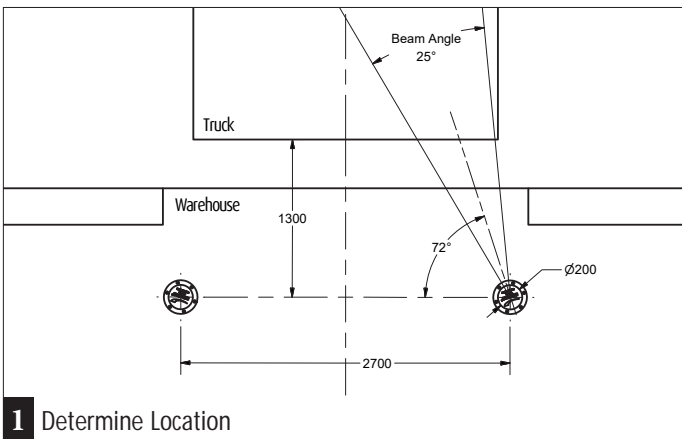
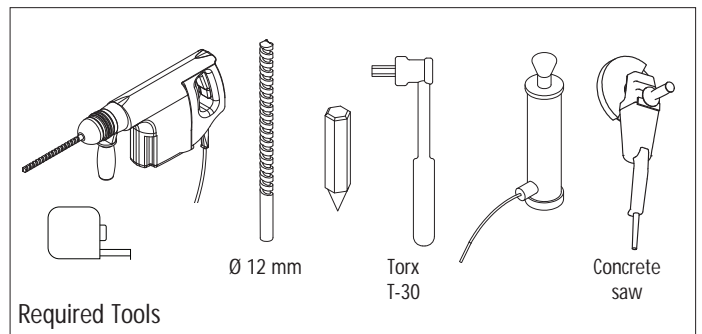
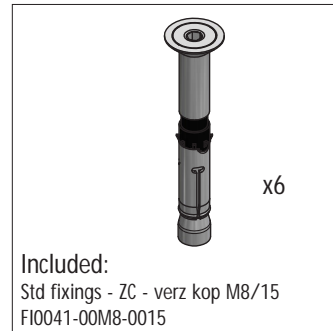


BOLLARD IMPACT LED TECH X5 / 800LUM CABLE UNDER

INSTALLATION SHEET

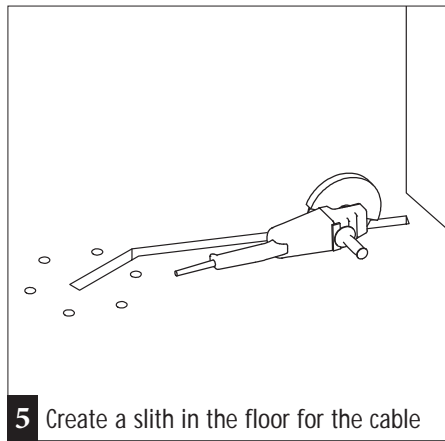
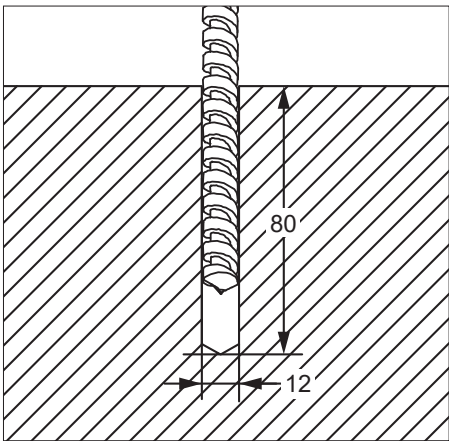
B02005-1200-LED1..



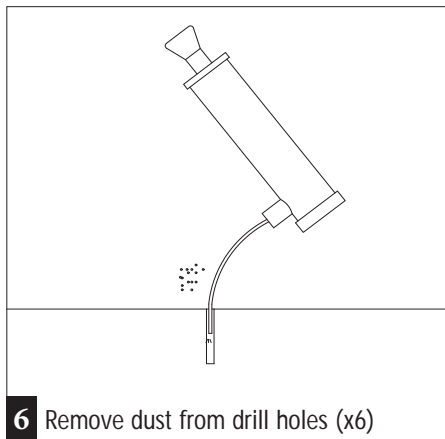
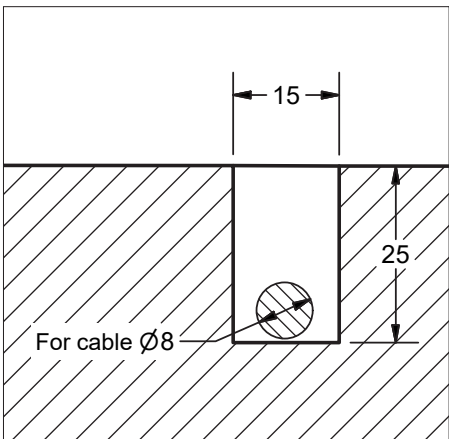
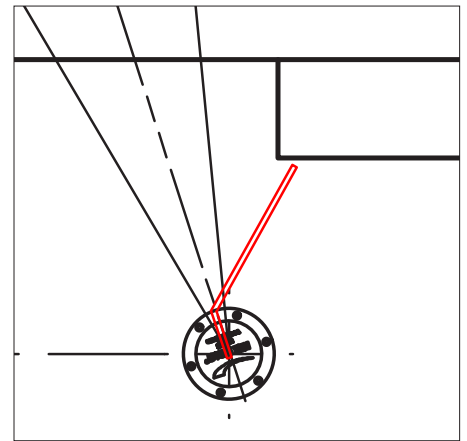
For more information, please visit www.boplan.com

Rev: 28 March 2018 9:48 AM

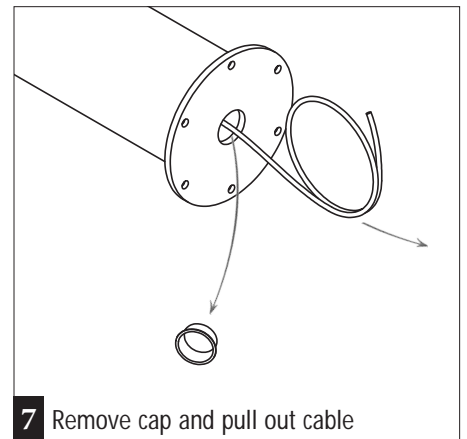




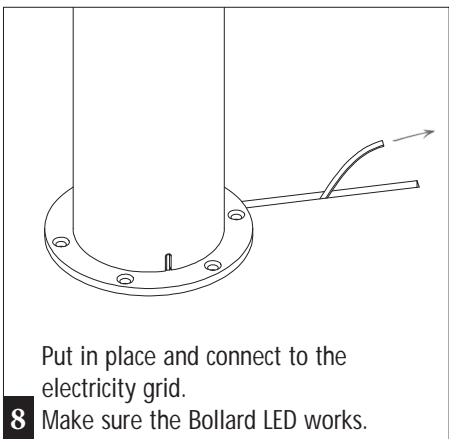
5 Create a slith in the floor for the cable



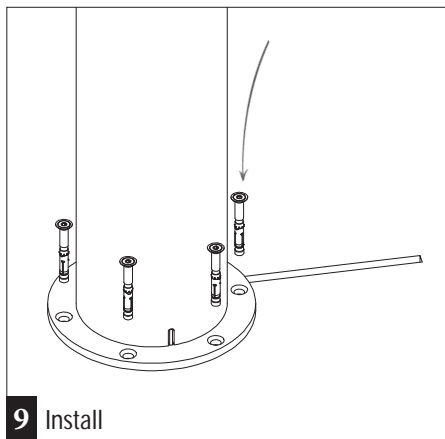
6 Remove dust from drill holes (x6)



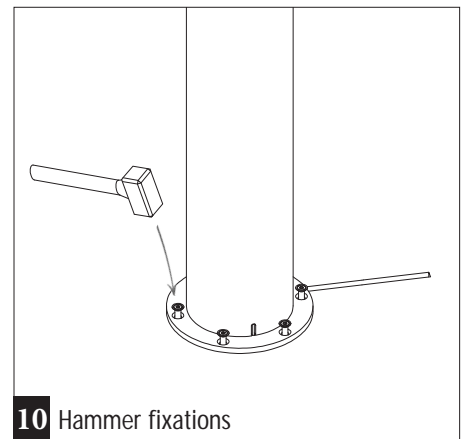
7 Remove cap and pull out cable



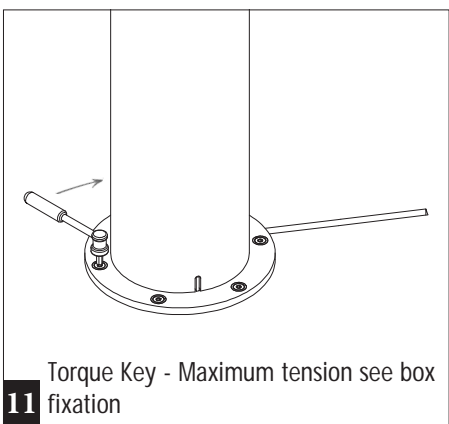
Put in place and connect to the electricity grid.
8 Make sure the Bollard LED works.



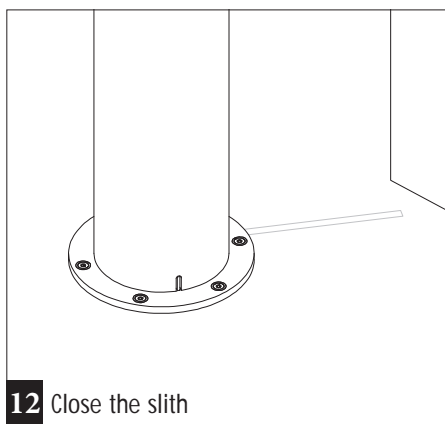
9 Install



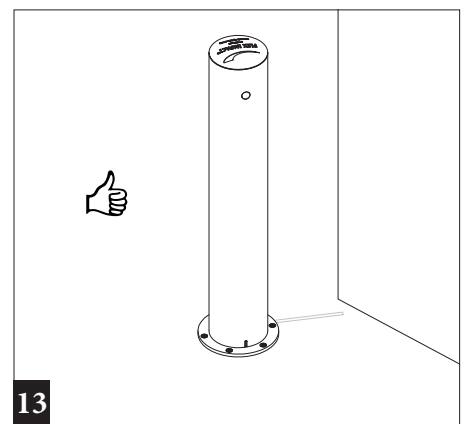
10 Hammer fixations



Torque Key - Maximum tension see box fixation
11



12 Close the slith



13



For more information, please visit www.boplan.com

Rev: 28 March 2018 9:48 AM

