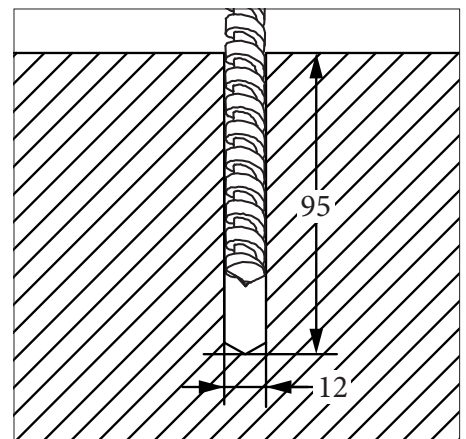
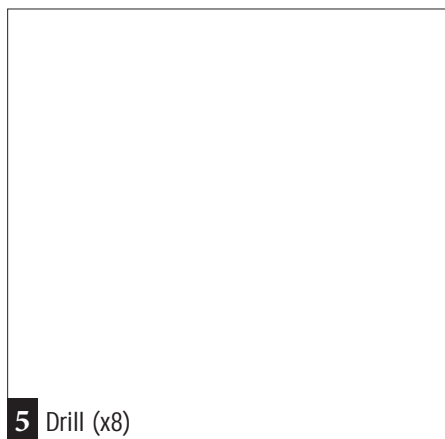
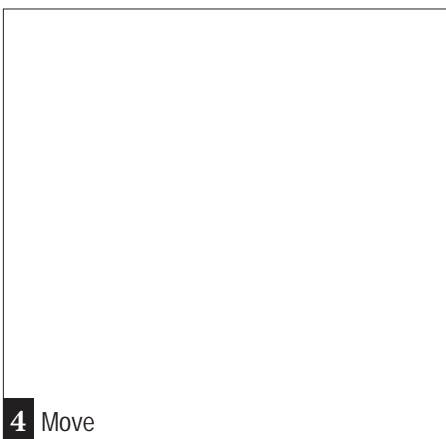
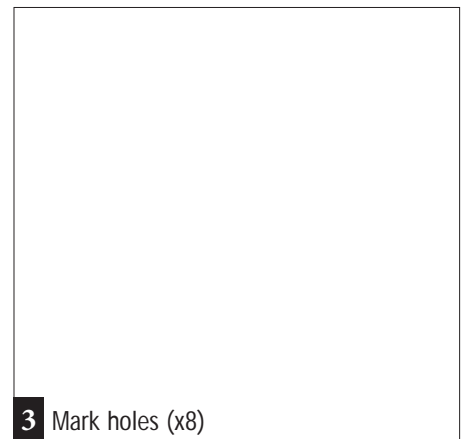
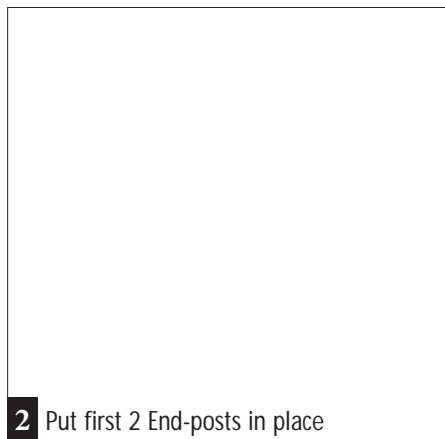
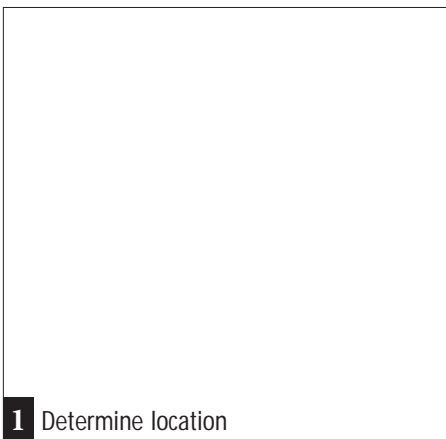
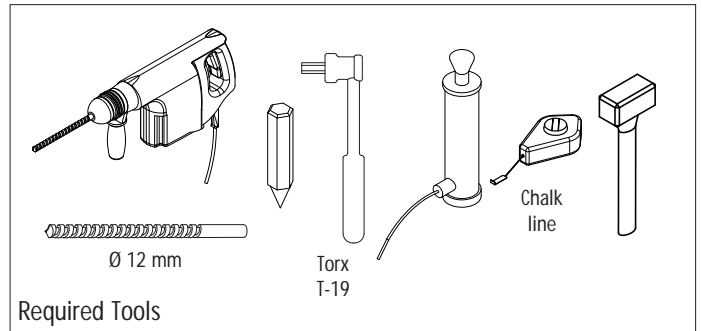


TUNNEL - FREE STANDING

INSTALLATION SHEET

HT....-....-....



For more information, please visit www.boplan.com

Rev: 7 August 2018 11:49 AM



6 Remove Dust

7 Put in place

8 Hammer fixations (x8)

9 Torque key - Maximum tension see box fixation (x8)

10 Assemble first set of Mid-posts + 50x70 rails

Make sure the rail end is only halfway in

11 Install guillotines in first set of posts

Slide guillotine into the post

Slide guillotine over rails

Push rails all the way in

Make sure the guillotine drops down, locking all the rails.

12 Install guillotines in second set of posts



For more information, please visit www.boplan.com

Rev: 7 August 2018 11:49 AM



11 Fixate second set of posts

12 Install 88 Rail in first set of posts

13 Install locking forks

14 Install caps

15 Continue building this way

16



For more information, please visit www.boplan.com

Rev: 7 August 2018 11:49 AM

