

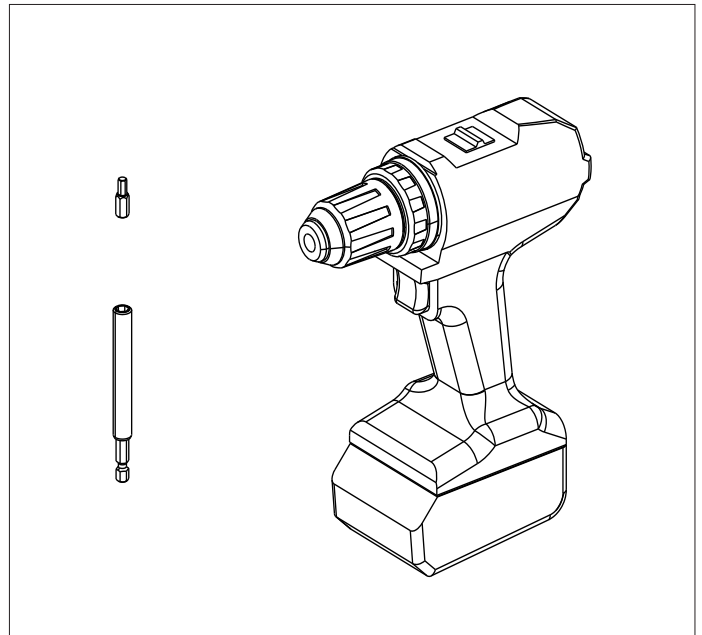
SWING GATE

INSTALLATION SHEET

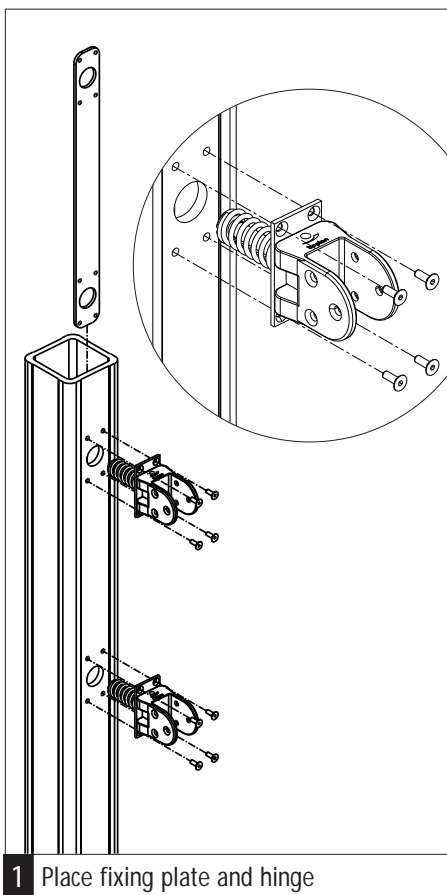
SG1100- (0700>2000) -0001BY (ZC/SS)



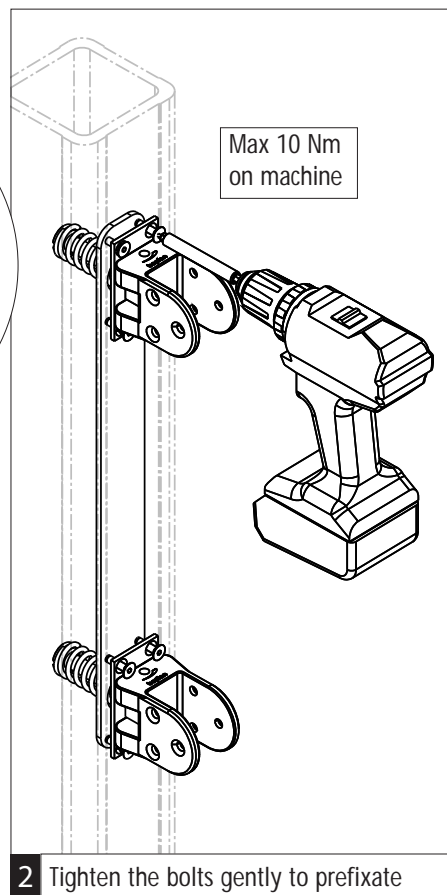
How to install Swing Gate 700 > 2000



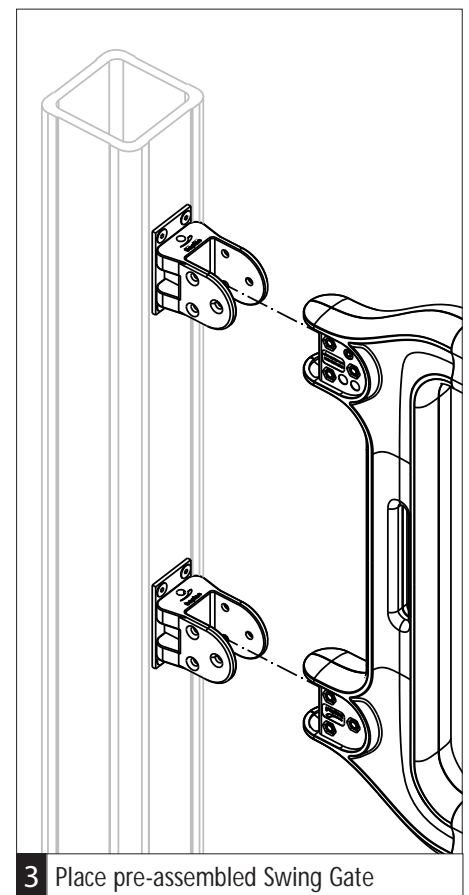
Required Tools : driver drill with allen key bit, extension preferred



1 Place fixing plate and hinge



2 Tighten the bolts gently to prefixate



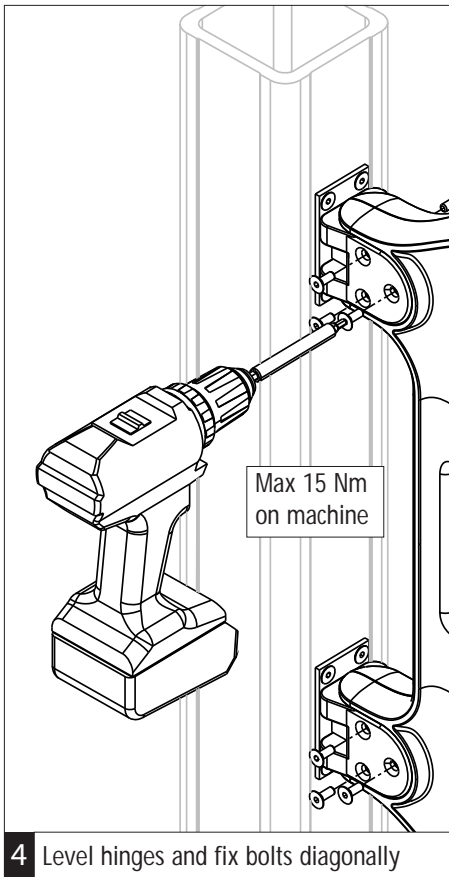
3 Place pre-assembled Swing Gate



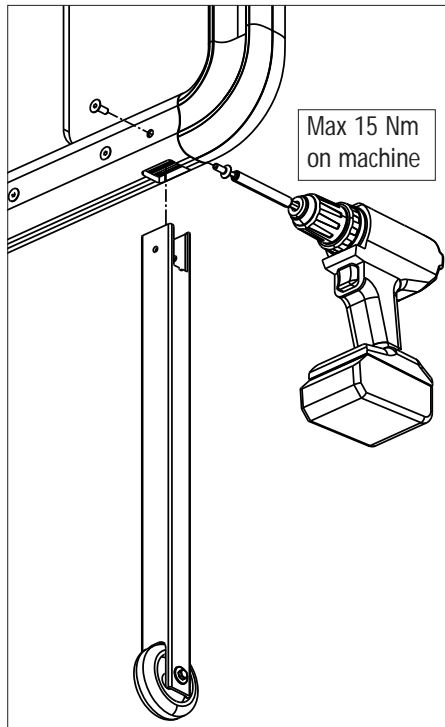
For more information, please visit www.boplan.com

Rev: 17 March 2020 9:01 am

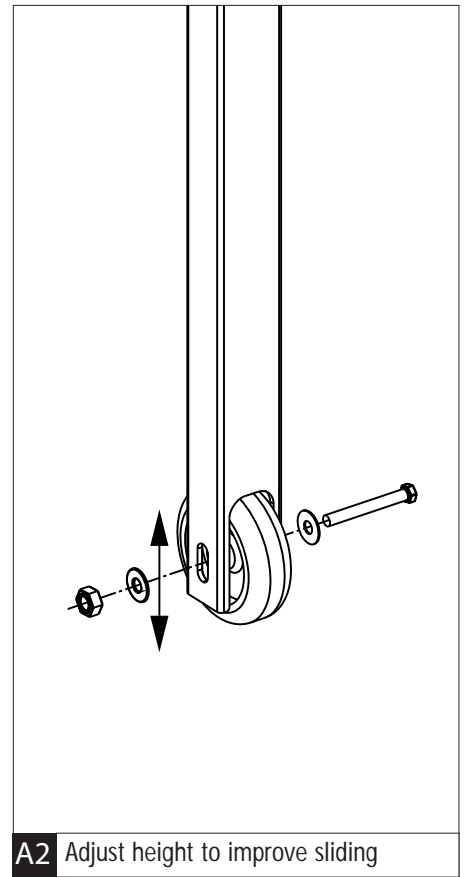




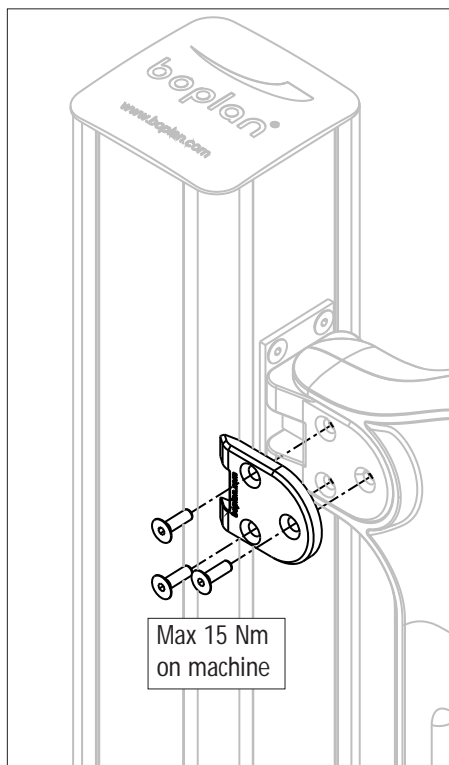
4 Level hinges and fix bolts diagonally



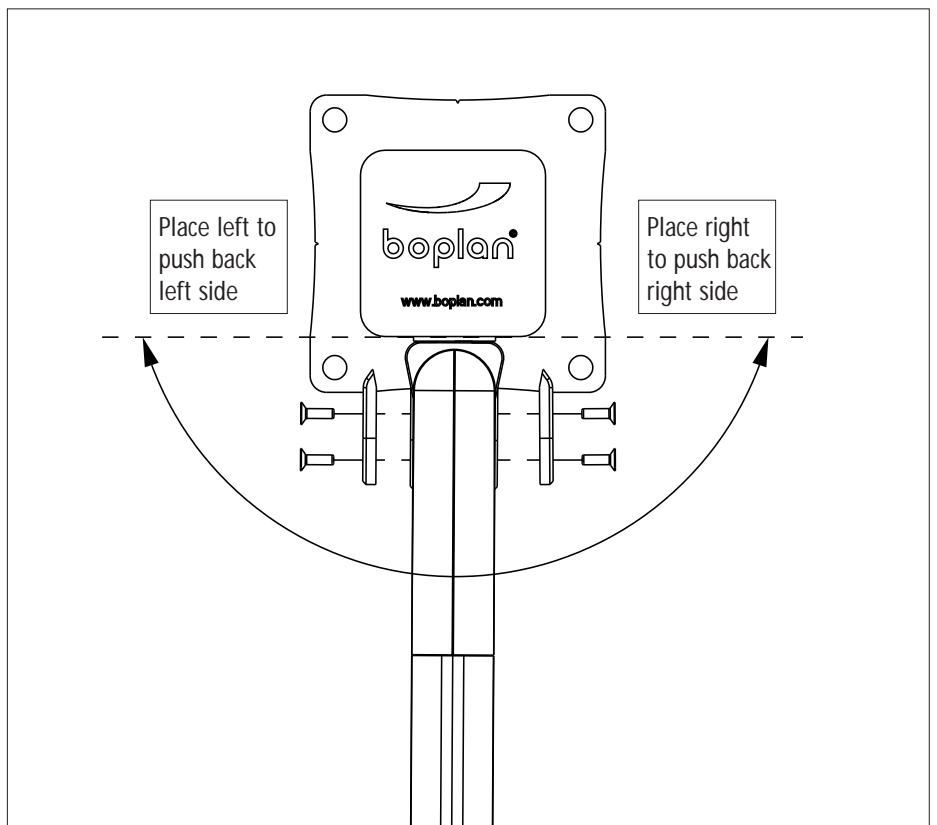
A1 For wheel option (size ≥ 1501)
Remove bolts in bottom corner
Place wheel adapter
Fixate again with same bolts



A2 Adjust height to improve sliding



B1 For push back block option
Remove bolts - Place push back block
Fixate again with same bolts



B2 Place push back block one or both sides to close corresponding direction



For more information, please visit www.boplan.com

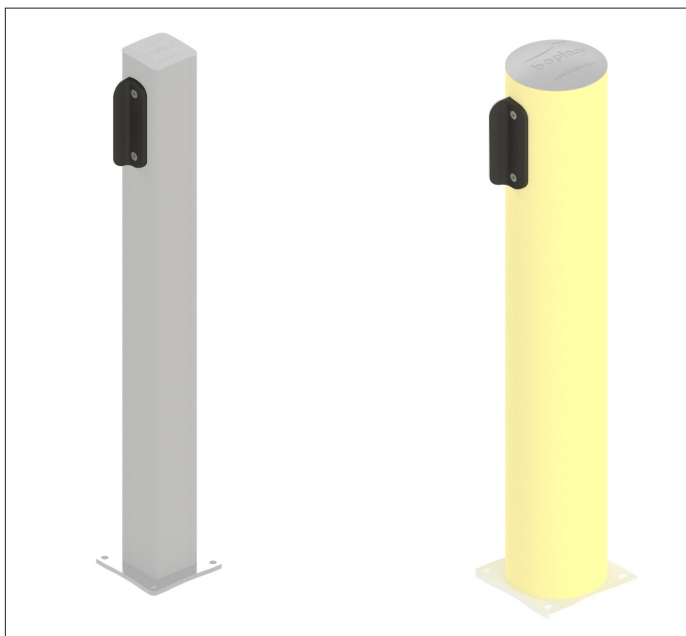
Rev: 17 March 2020 9:01 am



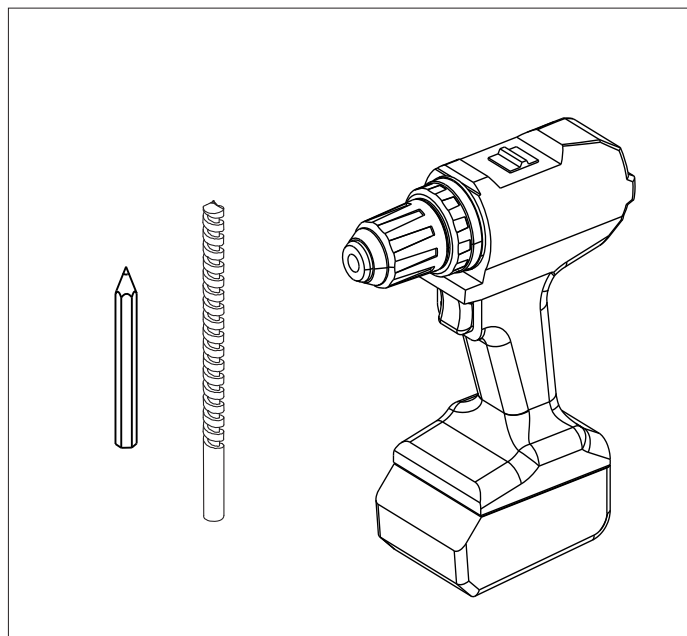
DOORSTOP : POST MOUNT

SG9901-0001-PMBL - Safety gate stop
Swing gate - Post mounted assembly - BL

INSTALLATION SHEET

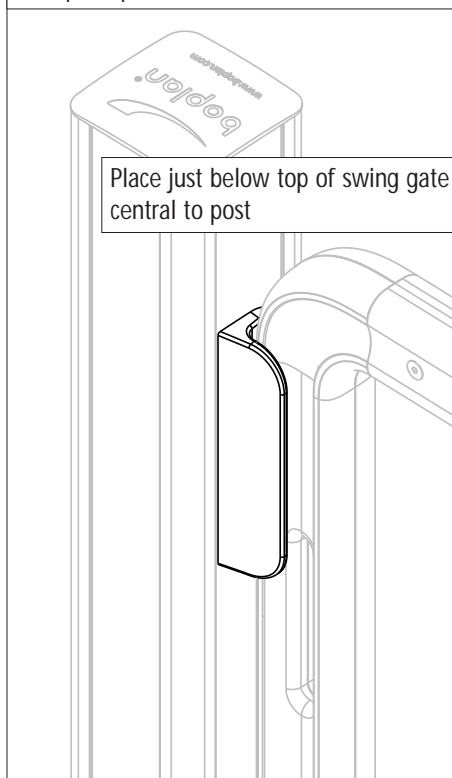


How to install Doorstop : Post mount

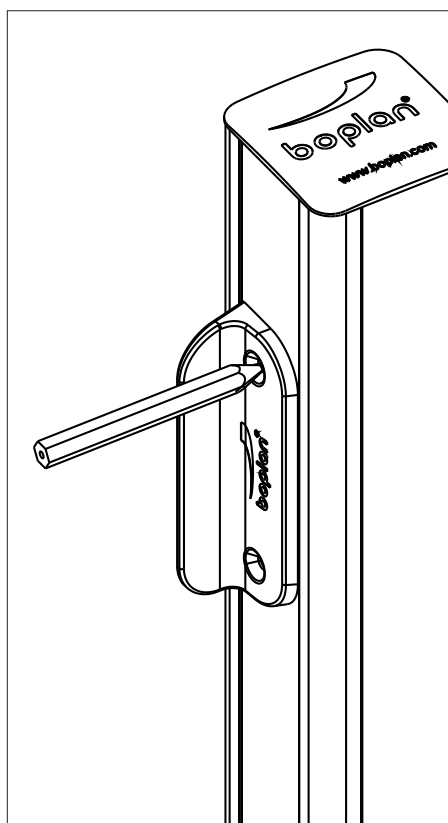


Required Tools : marker, electric/driver drill, metal/wood drill $\varnothing 9$

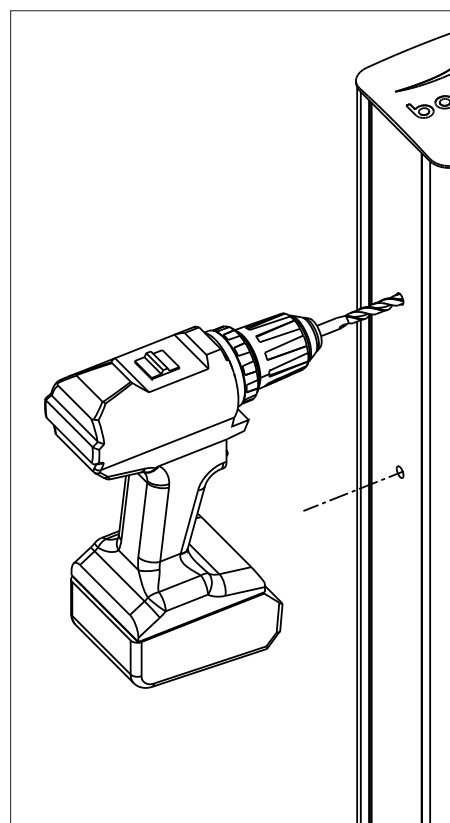
On square post



A1 Place doostop and choose side



A2 Mark holes on post



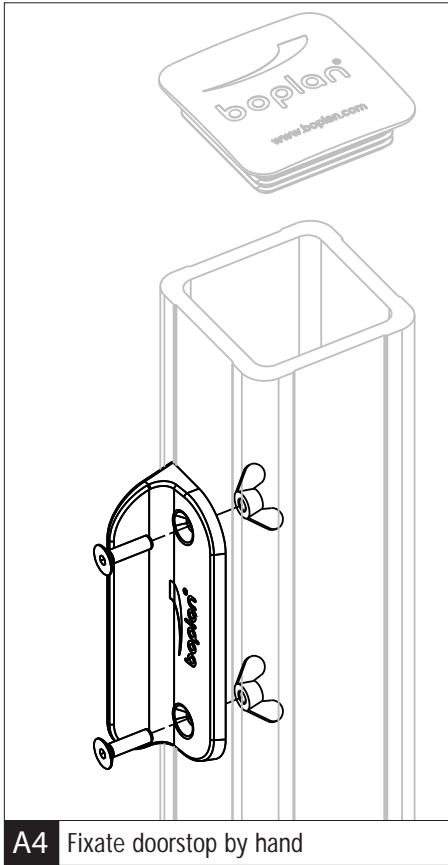
A3 Drill holes $\varnothing 9$ mm



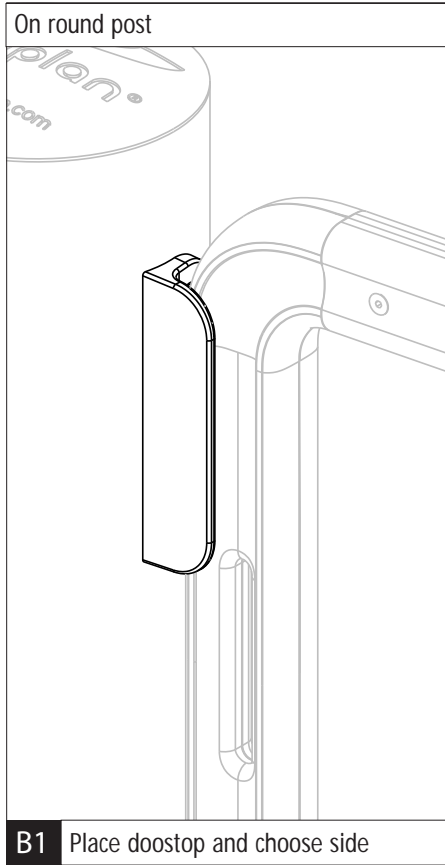
For more information, please visit www.boplan.com

Rev: 17 March 2020 9:01 am

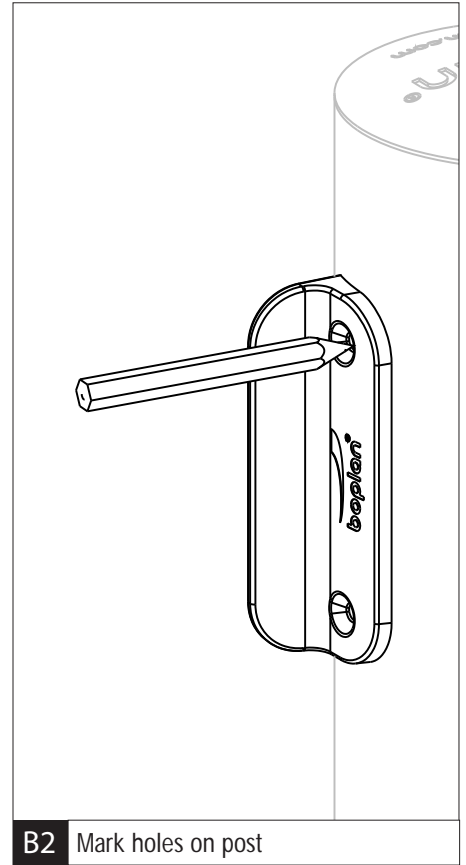




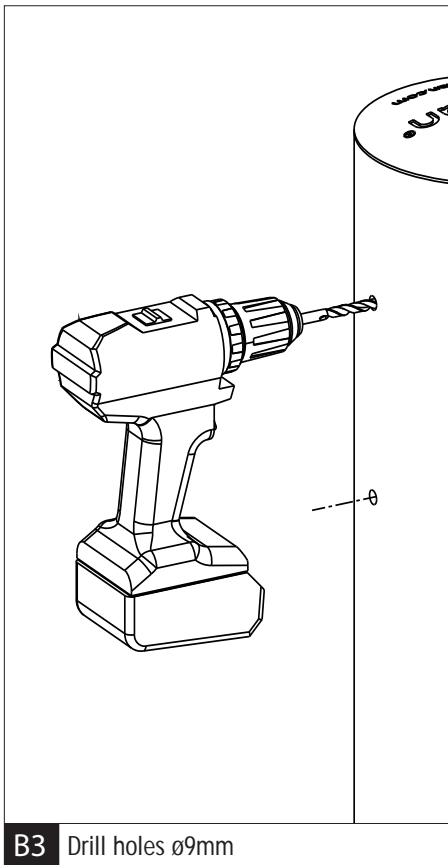
A4 Fixate doorstop by hand



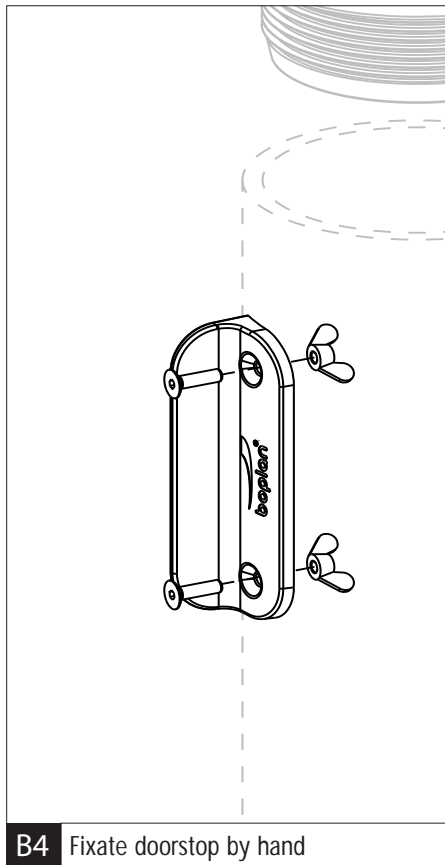
B1 Place doostop and choose side



B2 Mark holes on post



B3 Drill holes $\varnothing 9\text{mm}$



B4 Fixate doorstop by hand

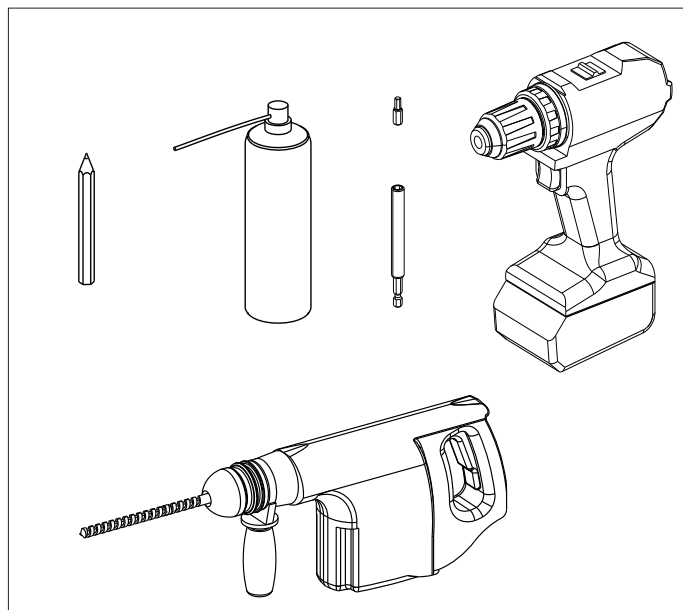
DOORSTOP : WALL MOUNT

SG9901-0002-WMBL - Safety gate stop -
Swing gate - Wall mounted assembly - BL

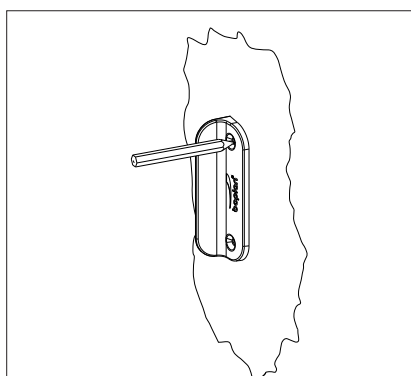
INSTALLATION SHEET



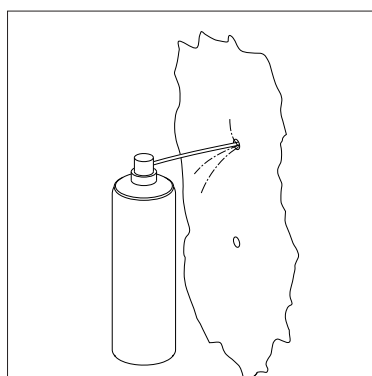
How to install Doorstop : Wall mount



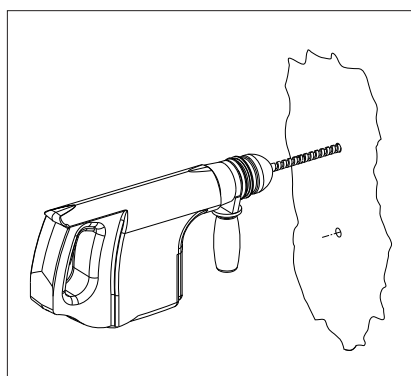
Required Tools : marker, compressed air, electric drill,
concrete drill Ø14, driver drill with allen key / torx bit



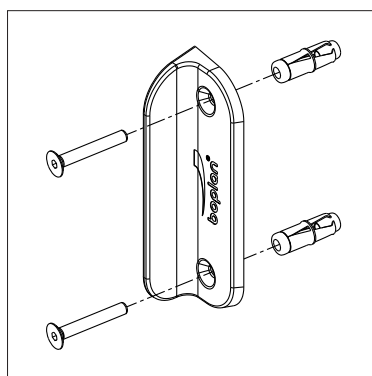
C1 Mark holes on wall



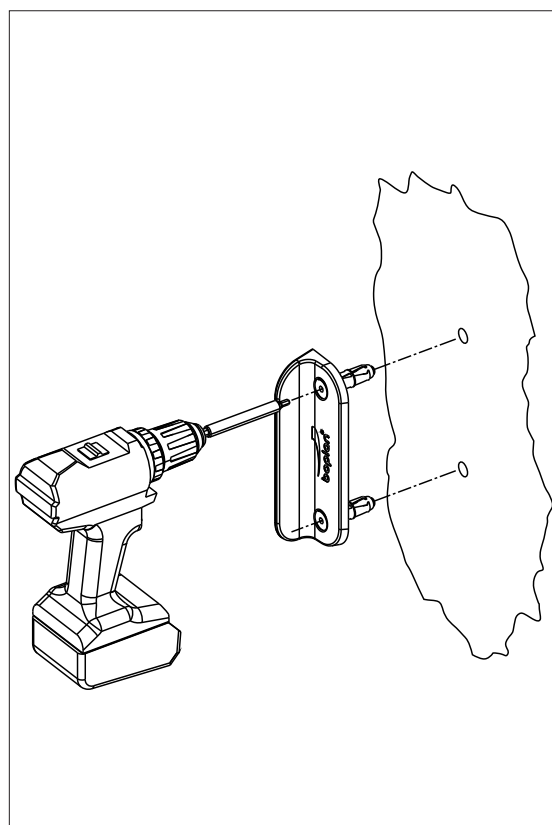
C3 Remove dust



C2 Drill holes $\varnothing 14\text{mm} \geq 6\text{mm}$ depth



C4 Pre-fixate set



C3 Place doorstop and plugs in holes and fixate



For more information, please visit www.boplan.com

Rev: 17 March 2020 9:01 am

