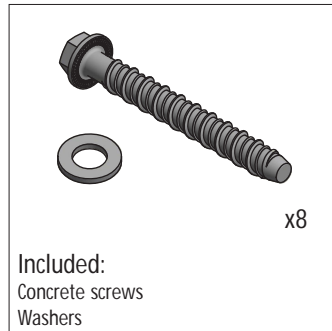
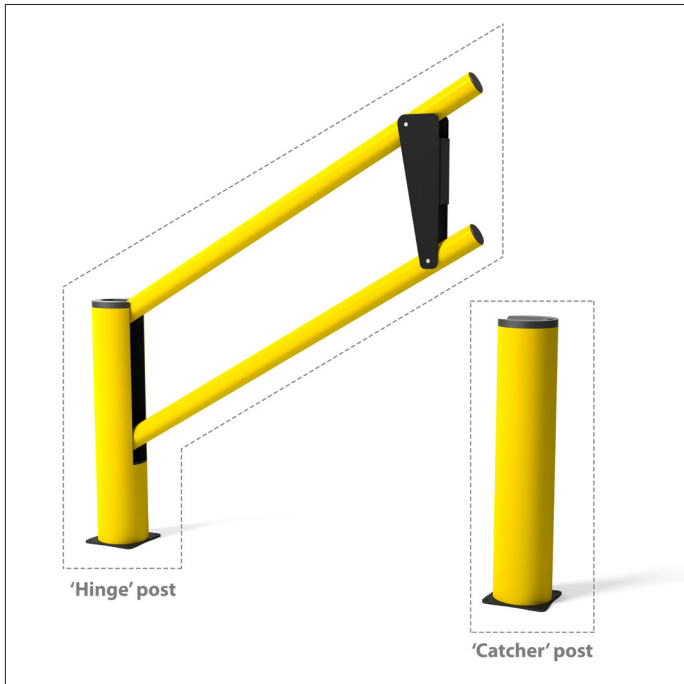


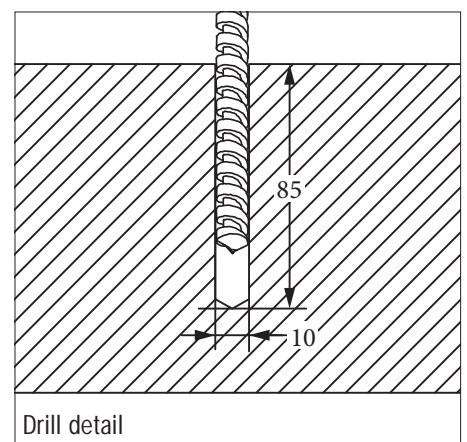
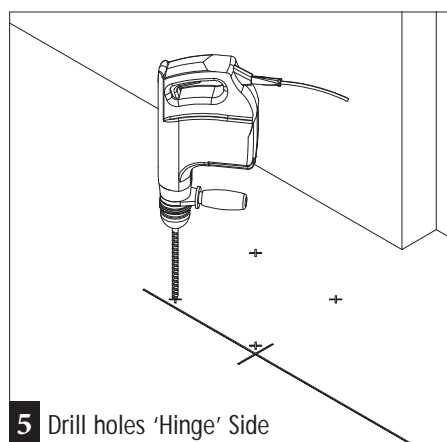
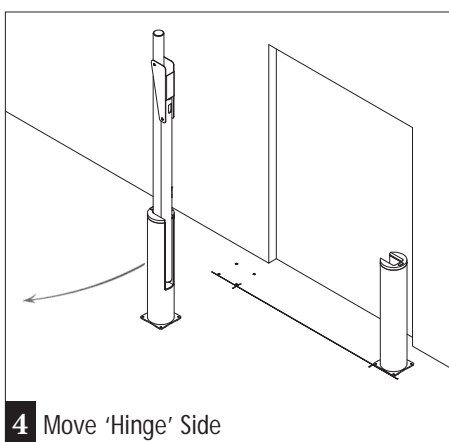
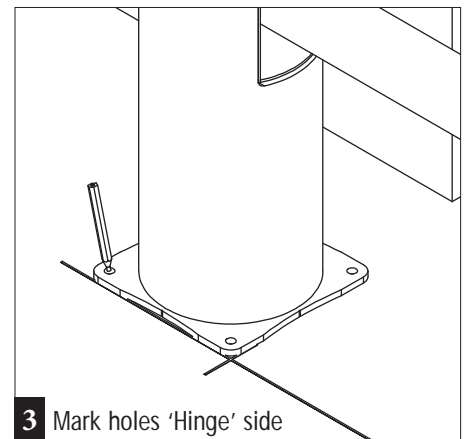
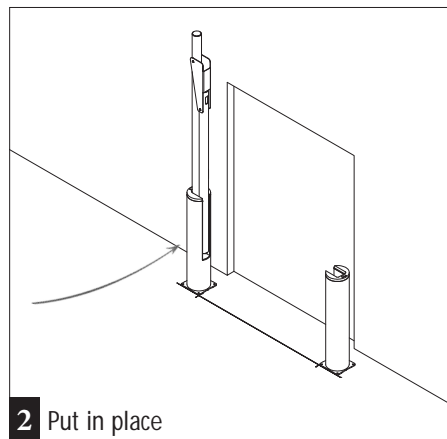
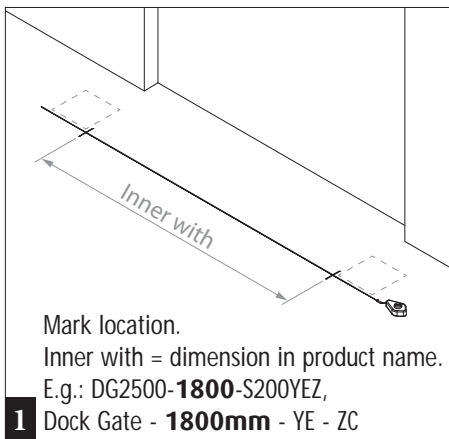
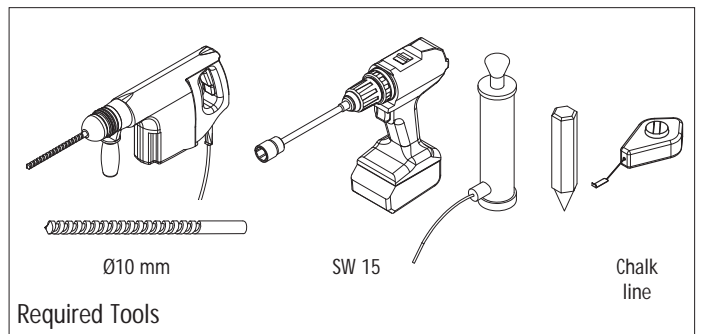
# DOCK GATE

## INSTALLATION SHEET

DG2500- ...



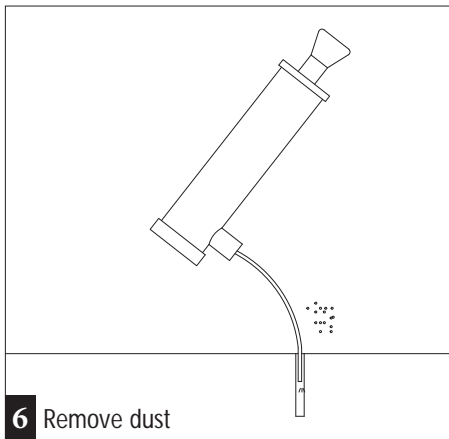
For **calibration** of the closing speed see installation manual for DG2509-0001-RWZC



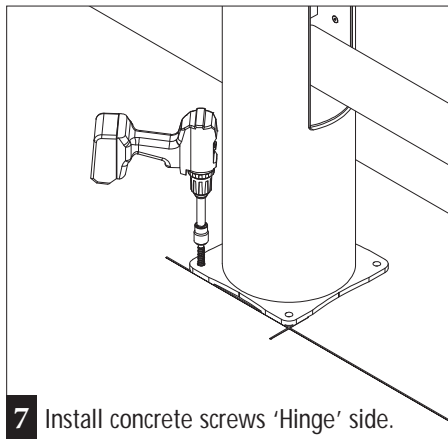
For more information, please visit [www.boplan.com](http://www.boplan.com)

Rev: 24 March 2020 9:45 am

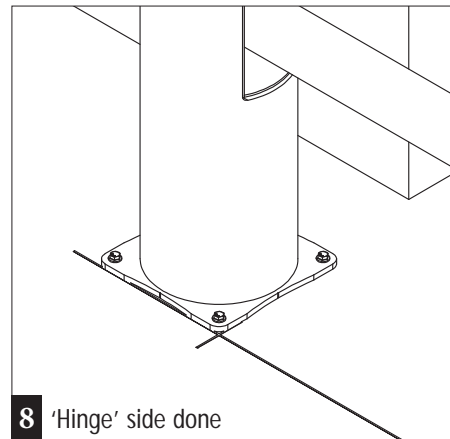




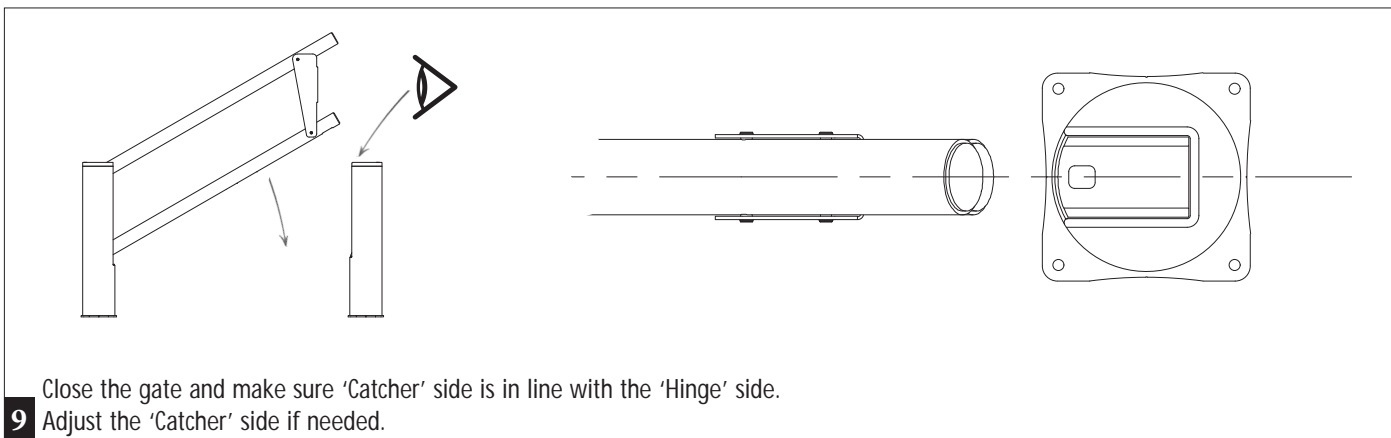
**6** Remove dust



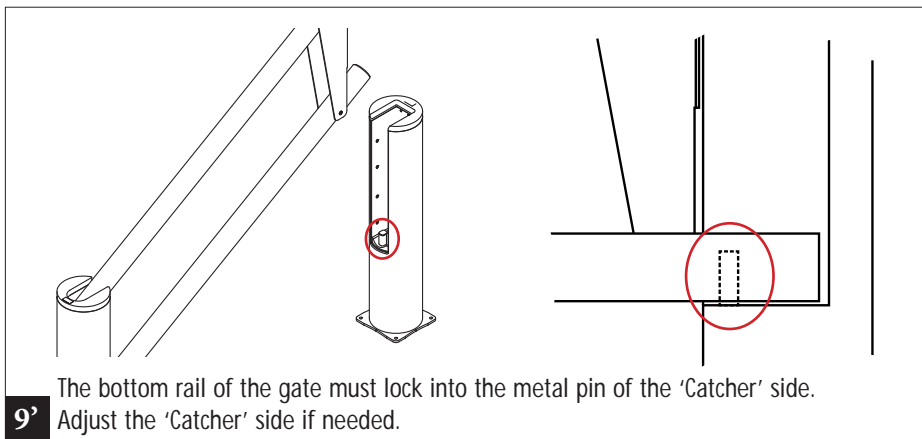
**7** Install concrete screws 'Hinge' side.



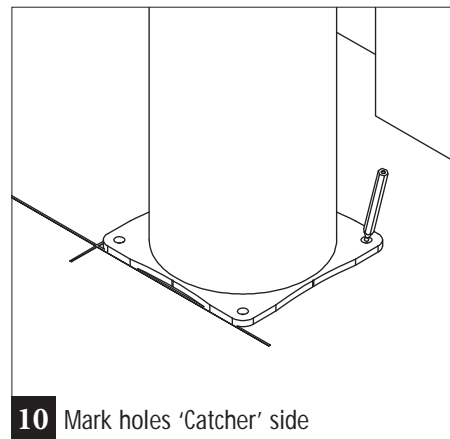
**8** 'Hinge' side done



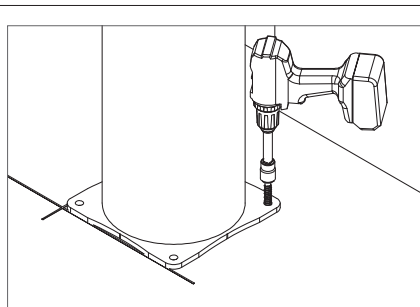
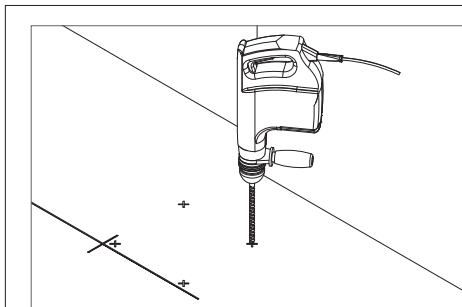
**9** Close the gate and make sure 'Catcher' side is in line with the 'Hinge' side.  
Adjust the 'Catcher' side if needed.



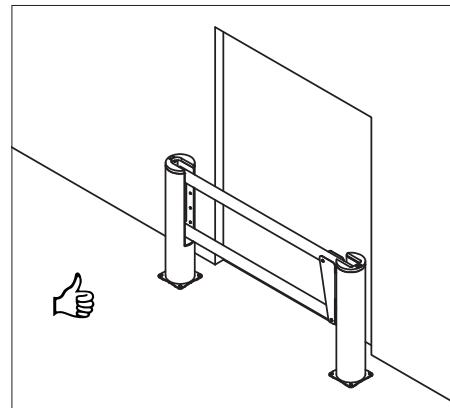
**9'** The bottom rail of the gate must lock into the metal pin of the 'Catcher' side.  
Adjust the 'Catcher' side if needed.



**10** Mark holes 'Catcher' side



**11** Open the gate.  
Move 'Catcher' side, drill holes, remove dust and install concrete screws.  
See steps 5 to 7 for more information.



For more information, please visit [www.boplan.com](http://www.boplan.com)

Rev: 24 March 2020 9:45 am

