

HP PLUS 3R BOPLAN HANDRAIL PLUS 3 RAILS SPECIFICATION SHEET

Revision: 3 December 2018 9:54 AM
Boplan reference: HP1120- ...



PRODUCT SPECIFICATIONS

APPLICATION

Protection	Robust handrail system for the physical demarcation of pedestrian zones.
Advisory speed	HP Plus is not intended for impact with fork lift trucks or other motorized vehicles.

MATERIAL

Posts and rails	Polyolefin - UV resistant - Fire class HB* - Non conductive - Impervious to most chemical products**
-----------------	--

STANDARD COLORS

End post	Black
Mid post	Black
Handrails	Yellow Black/Photolum; Black/Red; Black/yellow; Yellow/black; Yellow/Photolum

BASEPLATES

	Steel	Zinc Coated Steel	Stainless steel
Material	Steel 37	Steel 37	INOX (RVS 304)
Coating	Lacquered	Lacquered + electro plating	No lacquer / No coating
Color	High gloss black	Matt black	Natural color

FIXATIONS

	ZINC COATED	INOX
EXPANSION ANCHOR 	Length = 120 mm Size = M12 Drill hole diameter = 12 mm Max load (pull out) = 7.9 kN	Length = 120 mm Size = M12 Drill hole diameter = 12 mm Max load (pull out) = 7.9 kN
THREADED ROD (WITH CHEMICAL ANCHOR) 	Length = 120 mm Size = M12 Drill hole diameter = 14 mm Max load (pull out) = 16 kN	Length = 120 mm Size = M12 Drill hole diameter = 14 mm Max load (pull out) = 16 kN

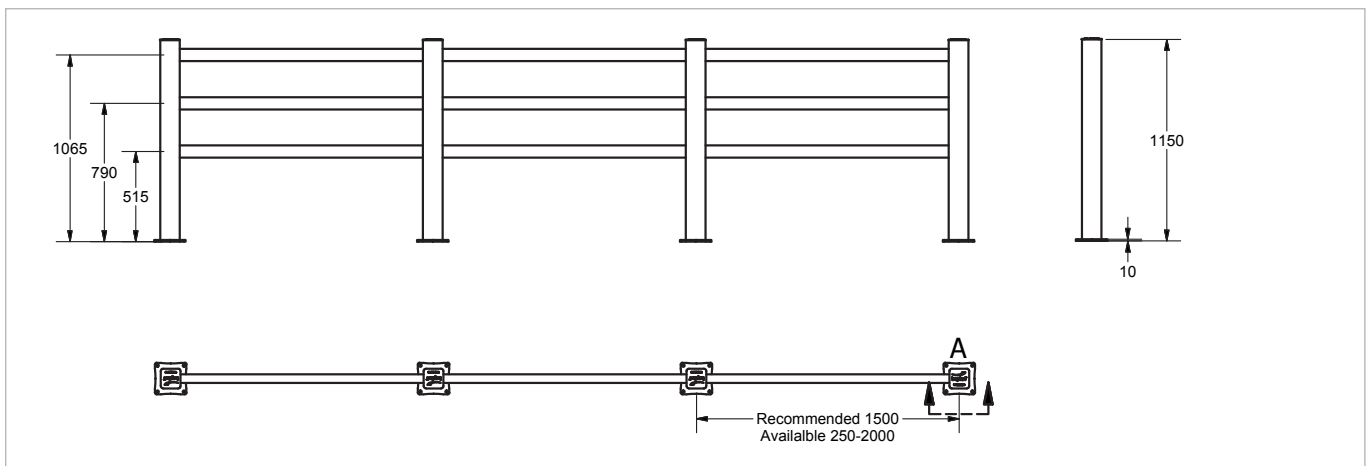
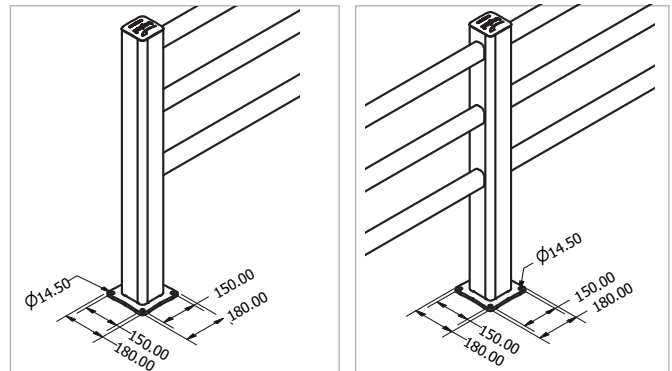
*Fire class HB = Slow burning; classification according to UL94: US Standard for Safety of Flammability of Plastics
**Ask your local sales office for resistance to specific chemicals.



FEATURES AND FUNCTIONALITY

SIZE		
Height end posts	1150 mm	
Height mid post	1150 mm	
Profile section handrail	50 mm x 70 mm (6 mm wall thickness)	
Profile section posts	112 mm x 112 mm (10 mm wall thickness)	
Standard rail length	Standard length: 1500 mm (center - center dimension)	
Baseplate	180 mm x 180 mm (10 mm thick)	
IMPACT PERFORMANCE		
Test conditions	Ambient temperature	20°C
	Tube length	1600mm (center - center)
90° impact	Fork lift weight	2300kg
	Floor	Industrial concrete
45° impact	Success criteria	Fork lift stopped by barrier
	Maximum impact on post	3300 Joule
	Maximum impact on rails	5500 Joule
	Maximum impact on rails	7800 Joule

REQUIREMENTS	
Concrete quality	minimum C25/30
Concrete floor plate thickness (mm)	minimum 150 mm
Concrete slab dimension around posts (mm)	400 (h) x 400 (w) x 300 (d)
Operational temperature	-10°C up to +40°C
Water and humidity	Steel (standard): dry indoor use only. Zinc coated: outdoor use in most environments. RVS: outdoor use or frequent exposure to water and humidity.



S = Stainless steel (=inox = RVS)
 Z = Zinc coated (=galvanized)
 C = chamfered
 YE = Yellow



REFERENCE LIST - HP PLUS 3 RAILS

POSTS		
End post - 3R End post - 3R - SS End post - 3R - Zinc coated	HP1120-0001-EPBL HP1120-0001-EPBLS HP1120-0001-EPBLZ	
Mid post - 3R Mid post - 3R - SS Mid post - 3R - Zinc coated	HP1120-0001-MPBL HP1120-0001-MPBLS HP1120-0001-MPBLZ	
T - post - 3R T - post - 3R - SS T - post - 3R - Zinc coated	HP1120-0001-TPBL HP1120-0001-TPBLS HP1120-0001-TPBLZ	

POSTS		
Blank post - 3R Blank post - 3R - SS Blank post - 3R - Zc	HP1120-0001-BPBL HP1120-0001-BPBLS HP1120-0001-BPBLZ	
Corner post 90° - 3R Corner post 90° - 3R - SS Corner post 90° - 3R - Zc	HP1120-0001-C90BL HP1120-0001-C90BLS HP1120-0001-C90BLZ	
Corner post 135° - 3R Corner post 135° - 3R - SS Corner post 135° - 3R - Zc	HP1120-0001-C45BL HP1120-0001-C45BLS HP1120-0001-C45BLZ	

RAIL SETS (3R)						
center - center length	BLACK / PHOTOLUM	BLACK / RED	BLACK / YELLOW	YELLOW / BLACK	YELLOW	YELLOW / PHOTOLUM
500 mm	HP1120-0500-0001BP	HP1120-0500-0001BR	HP1120-0500-0001BY	HP1120-0500-0001YB	HP1120-0500-0001YE	HP1120-0500-0001YP
750 mm	HP1120-0750-0001BP	HP1120-0750-0001BR	HP1120-0750-0001BY	HP1120-0750-0001YB	HP1120-0750-0001YE	HP1120-0750-0001YP
1000 mm	HP1120-1000-0001BP	HP1120-1000-0001BR	HP1120-1000-0001BY	HP1120-1000-0001YB	HP1120-1000-0001YE	HP1120-1000-0001YP
1250 mm	HP1120-1250-0001BP	HP1120-1250-0001BR	HP1120-1250-0001BY	HP1120-1250-0001YB	HP1120-1250-0001YE	HP1120-1250-0001YP
1500 mm	HP1120-1500-0001BP	HP1120-1500-0001BR	HP1120-1500-0001BY	HP1120-1500-0001YB	HP1120-1500-0001YE	HP1120-1500-0001YP
1750 mm	HP1120-1750-0001BP	HP1120-1750-0001BR	HP1120-1750-0001BY	HP1120-1750-0001YB	HP1120-1750-0001YE	HP1120-1750-0001YP
2000 mm	HP1120-2000-0001BP	HP1120-2000-0001BR	HP1120-2000-0001BY	HP1120-2000-0001YB	HP1120-2000-0001YE	HP1120-2000-0001YP
250-2000 mm	HP1121-2000-0001BP	HP1121-2000-0001BR	HP1121-2000-0001BY	HP1121-2000-0001YB	HP1121-2000-0001YE	HP1121-2000-0001YP
CORNER RAIL SETS (3R)						
Corner rail 90°/135° 1500 mm	HP1120-1500-C90BP	HP1120-1500-C90BR	HP1120-1500-C90BY	HP1120-1500-C90YB	HP1120-1500-C90YE	HP1120-1500-C90YP
Corner rail 90°/135° 250 - 2000 mm	HP1121-2000-C45BP	HP1121-2000-C45BR	HP1121-2000-C45BY	HP1121-2000-C45YB	HP1121-2000-C45YE	HP1121-2000-C45YP

