

# HD MEZZA BOPLAN HANDRAIL MEZZA SPECIFICATION SHEET

Revision: 3 December 2018 9:47 AM  
Boplan reference: HM0900- ...



## PRODUCT SPECIFICATIONS

### APPLICATION

Protection	Balustrade for pedestrians on mezzanine, floors and heights. The extra skirting board at the bottom eliminates the risk of objects sliding under the balustrade.
Advisory speed	HD Mezza is not intended for impact with fork lift trucks or other motorized vehicles.

### MATERIAL

Posts and rails	Polyolefin - UV resistant - Fire class HB* - Non conductive - Impervious to most chemicals**
Skirting board	Glass fiber reinforced plastic

### STANDARD COLORS

End post	Black
Mid post	Black
Handrails	Yellow and Yellow/black
Skirting board	Yellow

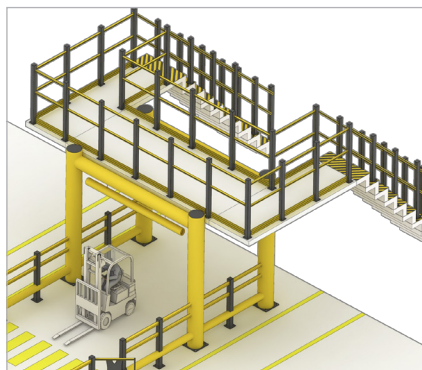
### BASEPLATES

	Steel	Zinc Coated Steel	Stainless steel
Material	Steel 37	Steel 37	INOX (RVS 304)
Coating	Lacquered	Lacquered + electro plating	No lacquer / No coating
Color	High gloss black	Matt black	Natural color

### FIXATIONS

	ZINC COATED	INOX
<b>EXPANSION ANCHOR</b> 	Length = 120 mm Size = M12 Drill hole diameter = 12 mm Max load (pull out) = 7.9 kN	Length = 120 mm Size = M12 Drill hole diameter = 12 mm Max load (pull out) = 7.9 kN
<b>THREADED ROD (WITH CHEMICAL ANCHOR)</b> 	Length = 120 mm Size = M12 Drill hole diameter = 14 mm Max load (pull out) = 16 kN	Length = 120 mm Size = M12 Drill hole diameter = 14 mm Max load (pull out) = 16 kN
<b>BOLT AND NUT</b> 	Length = 60 mm Size = M12 Drill hole diameter = 14 mm	Length = 60 mm Size = M12 Drill hole diameter = 14 mm

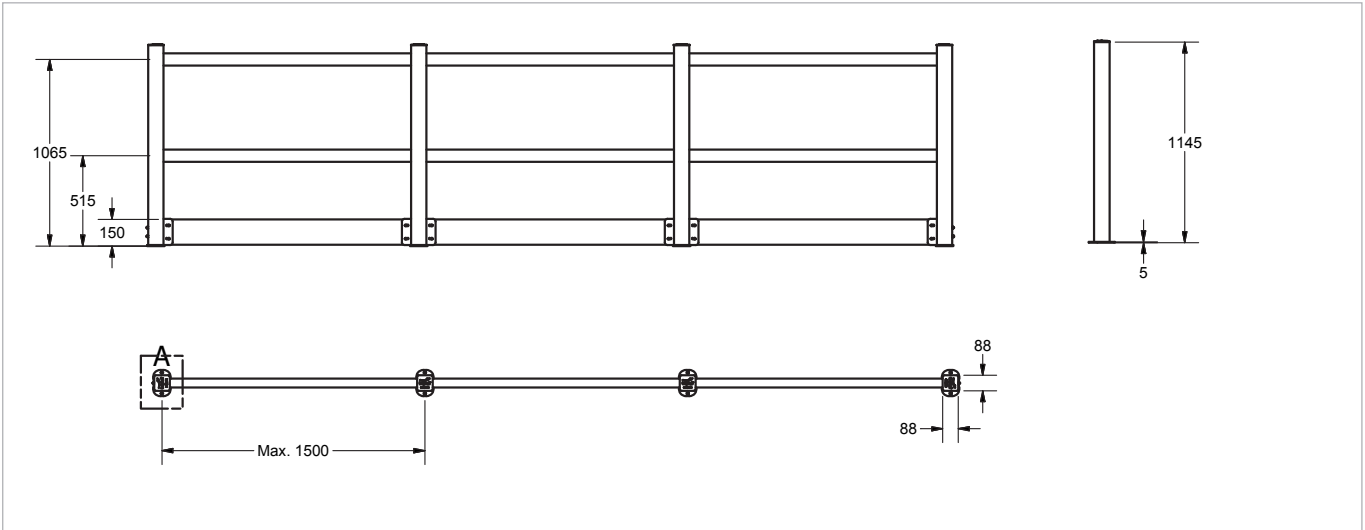
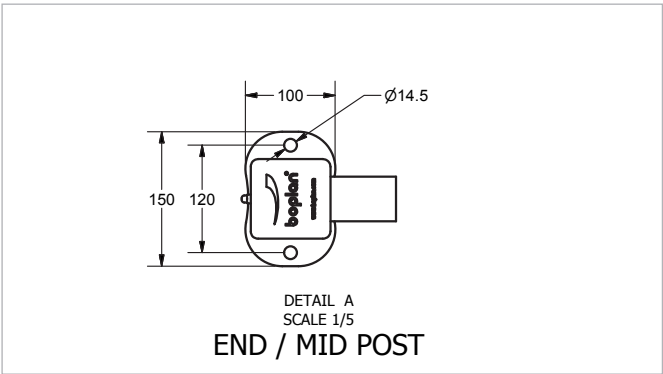
\*Fire class HB = Slow burning; classification according to UL94: US Standard for Safety of Flammability of Plastics  
\*\*Ask your local sales office for resistance to specific chemicals.



**FEATURES AND FUNCTIONALITY**

SIZE	
Height end posts	1150 mm
Height mid post	1150 mm
Standard rail length	Standard length: 1500 mm (center - center dimension)
Profile section handrail	50 mm x 70 mm (6 mm wall thickness)
Baseplate	150 mm x 100 mm (5 mm thick)
Profile section posts	88 mm x 88 mm (7.5 mm wall thickness)
Height skirting board	150 mm

REQUIREMENTS	
Concrete quality	minimum C25/30
Concrete floor plate thickness (mm)	minimum 150 mm
Concrete slab dimension around posts (mm)	400 (h) x 400 (w) x 300 (d)
Operational temperature	-10°C up to +40°C (For applications at lower temperatures, contact your local sales department)
Water and humidity	<b>Steel (standard):</b> dry indoor use only. <b>Zinc coated:</b> outdoor use in most environments. <b>RVS:</b> outdoor use or frequent exposure to water and humidity.



S = Stainless steel (=inox = RVS)  
 Z = Zinc coated (=galvanized)  
 C = chamfered  
 YE = Yellow



## REFERENCE LIST - HD MEZZA

HD MEZZA POSTS		
End post BL + Kick GRP End post BL + Kick GRP - SS End post BL + Kick GRP - ZC	HM0900-0001-EPBL HM0900-0001-EPBLS HM0900-0001-EPBLZ	
Mid post BL + Kick GRP Mid post BL + Kick GRP - SS Mid post BL + Kick GRP - ZC	HM0900-0001-MPBL HM0900-0001-MPBLS HM0900-0001-MPBLZ	

RAIL SETS (incl kick GRP)			
Center - Center length	YELLOW / BLACK	YELLOW	
1500 mm	HM0900-1500-0001YB	HM0900-1500-0001YE	
250-2000 mm	HM0901-1499-0001YB	HM0901-1499-0001YE	
CORNER RAIL SETS			
Corner rail set 90°	HM0900-0200-C90YB	HM0900-0200-C90YE	See drawings below
Corner rail set 135°	HM0900-0200-C45YB	HM0900-0200-C45YE	

