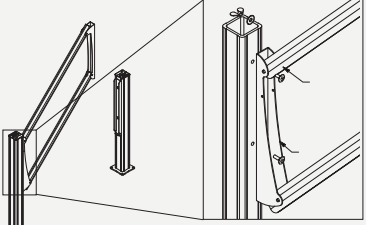
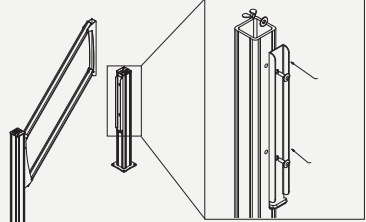


# SG DROP GATE BOPLAN SAFETY GATES SPECIFICATION SHEET

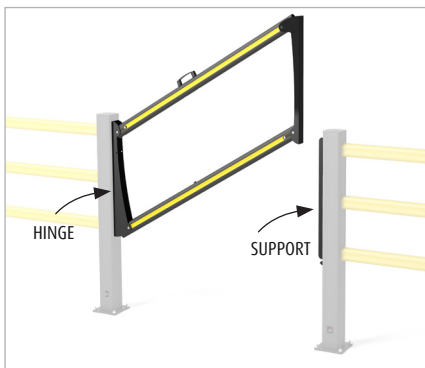
Revision: 5 December 2018 3:17 PM  
Boplan reference: SG06.-



## PRODUCT SPECIFICATIONS

APPLICATION	
Environment	Safety gate that opens with an upward movement. Gate in between pedestrian zone and high traffic zone. Indoor use.
Features	For closing off access ways that have insufficient space to install a classic swing gate. Range of standards lengths available. Can be mounted on different FLEX IMPACT® systems. UV resistant. Impervious to most chemical products**
Advisory speed	Not intended for vehicle impact.
MATERIAL	
Gate rails	Polyolefin - UV resistant - Fire class HB* - Non conductive - Impervious to most chemical products**
Fixations and springs	Steel
End cap / support / hinge	Lacquered aluminium
STANDARD COLORS	
Gate rails	Black / yellow
End cap	Black
FIXATIONS (included)	
To fix hinge (on a FLEX IMPACT® post)	<p>Bolts: M12x40mm - ZC (2x) Nuts: M12 - ZC (2x)</p> 
To fix support (on a FLEX IMPACT® post)	<p>Bolts: M8 x 35mm - ZC (2x) Nuts: M8 - ZC (2x)</p> 

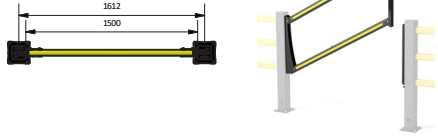
\*Fire class HB = Slow burning; classification according to UL94: US Standard for Safety of Flammability of Plastics  
\*\*Ask your local sales office for resistance to specific chemicals.



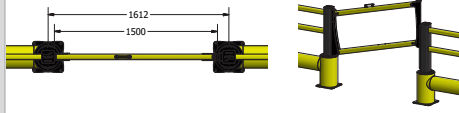
**FEATURES AND FUNCTIONALITY**

**ATTACH TO**

Boplan HP plus



Boplan TB400 Plus  
Boplan TB260 Plus



**REQUIREMENTS**

Compatible	HP Plus handrails systems. TB400 Plus TB260 Plus
Environment	Indoor use only.
Operational temperature	-10°C up to + 40°C
Food proof	No
Use	To be opened manually. Not intended for vehicle impact.
<b>SIZE</b>	
Standard Length	1000 mm 1500 mm
Variable Length	800 mm up to 1499 mm
Section gate rail	(H) 70 mm x (W) 50 mm
Weight (incl hinge, fixations,..)	10.2 kg (1000 mm version) 11.4 kg (1500 mm version)

**REFERENCES - DROP GATE**

**DROP GATE**

SG0600-1000-0001BY

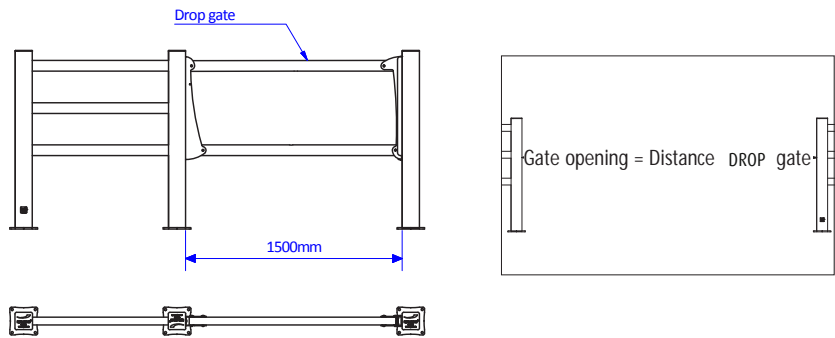
1000mm opening  
excl.post  
support included

SG0600-1500-0001BY

1500mm opening  
excl.post  
support included

SG0601-1499-0001BY

800mm - 1499mm opening  
excl.post  
support included

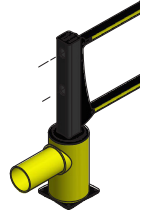


## REFERENCES - DROP GATE - HP POST

SG0699-0001-BPBL SG0699-0001-BPBLS SG0699-0001-BPBLZ	SG post HP Drop gate - Blank - BL SG post HP Drop gate - Blank - BL - SS SG post HP Drop gate - Blank - BL - ZC
SG0699-0001-DGC2BL SG0699-0001-DGC2BLS SG0699-0001-DGC2BLZ	SG post HP Drop gate - Cont - 2R - BL SG post HP Drop gate - Cont - 2R - BL - SS SG post HP Drop gate - Cont - 2R - BL - ZC
SG0699-0001-DGC3BL SG0699-0001-DGC3BLS SG0699-0001-DGC3BLZ	SG post HP Drop gate - Cont - 3R - BL SG post HP Drop gate - Cont - 3R - BL - SS SG post HP Drop gate - Cont - 3R - BL - ZC
SG0699-0090-DGD2BL SG0699-0090-DGD2BLS SG0699-0090-DGD2BLZ	SG post HP Drop gate - 90° - Down - 2R - BL SG post HP Drop gate - 90° - Down - 2R - BL - SS SG post HP Drop gate - 90° - Down - 2R - BL - ZC
SG0699-0090-DGD3BL SG0699-0090-DGD3BLS SG0699-0090-DGD3BLZ	SG post HP Drop gate - 90° - Down - 3R - BL SG post HP Drop gate - 90° - Down - 3R - BL - SS SG post HP Drop gate - 90° - Down - 3R - BL - ZC
SG0699-0090-DGU2BL SG0699-0090-DGU2BLS SG0699-0090-DGU2BLZ	SG post HP Drop gate - 90° - Up - 2R - BL SG post HP Drop gate - 90° - Up - 2R - BL - SS SG post HP Drop gate - 90° - Up - 2R - BL - ZC
SG0699-0090-DGU3BL SG0699-0090-DGU3BLS SG0699-0090-DGU3BLZ	SG post HP Drop gate - 90° - Up - 3R - BL SG post HP Drop gate - 90° - Up - 3R - BL - SS SG post HP Drop gate - 90° - Up - 3R - BL - ZC

## REFERENCES - DROP GATE - TB400 PLUS POST

SG0799-0001-BPYE SG0799-0001-BPYES SG0799-0001-BPYEZ	SG post TB400 Plus Drop gate - Blank - YE SG post TB400 Plus Drop gate - Blank - YE - SS SG post TB400 Plus Drop gate - Blank - YE - ZC
SG0799-0001-DGC2YE SG0799-0001-DGC2YES SG0799-0001-DGC2YEZ	SG post TB400 Plus Drop gate - Continu - 2R - YE SG post TB400 Plus Drop gate - Continu - 2R - YE - SS SG post TB400 Plus Drop gate - Continu - 2R - YE - ZC
SG0799-0090-DGD2YE SG0799-0090-DGD2YES SG0799-0090-DGD2YEZ	SG post TB400 Plus Drop gate - 90° - Down - TB - YE SG post TB400 Plus Drop gate - 90° - Down - TB - YE - SS SG post TB400 Plus Drop gate - 90° - Down - TB - YE - ZC
SG0799-0090-DGU2YE SG0799-0090-DGU2YES SG0799-0090-DGU2YEZ	SG post TB400 Plus Drop gate - 90° - Up - TB - YE SG post TB400 Plus Drop gate - 90° - Up - TB - YE - SS SG post TB400 Plus Drop gate - 90° - Up - TB - YE - ZC



## REFERENCES - DROP GATE - HP POST - wall mount

SG0699-0750-WMDGBL	SG post HP Drop gate - Wall mounted - 750mm - BL
--------------------	--

## REFERENCES - DROP GATE - TB260 PLUS POST

SG0799-0002-BPYE SG0799-0002-BPYES SG0799-0002-BPYEZ	SG post TB260 Plus Drop gate - Blank - YE SG post TB260 Plus Drop gate - Blank - YE - SS SG post TB260 Plus Drop gate - Blank - YE - ZC
SG0799-0002-DGC2YE SG0799-0002-DGC2YES SG0799-0002-DGC2YEZ	SG post TB260 Plus Drop gate - Cont - TB - YE SG post TB260 Plus Drop gate - Cont - TB - YE - SS SG post TB260 Plus Drop gate - Cont - TB - YE - ZC
SG0799-0092-DGD2YE SG0799-0092-DGD2YES SG0799-0092-DGD2YEZ	SG post TB260 Plus Drop gate - 90° - Down - TB - YE SG post TB260 Plus Drop gate - 90° - Down - TB - YE - SS SG post TB260 Plus Drop gate - 90° - Down - TB - YE - ZC
SG0799-0092-DGU2YE SG0799-0092-DGU2YES SG0799-0092-DGU2YEZ	SG post TB260 Plus Drop gate - 90° - Up - TB - YE SG post TB260 Plus Drop gate - 90° - Up - TB - YE - SS SG post TB260 Plus Drop gate - 90° - Up - TB - YE - ZC