


DOCK GATE BOPLAN FLEX IMPACT SPECIFICATION SHEET

Boplan reference: DG2500-...
Revision: 29 October 2019 1:42 PM



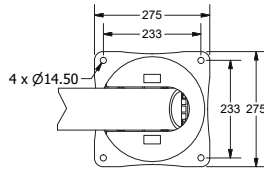
APPLICATION	
Protection	Double rail safety gate up to 3 meter.
Environment	Around loading docks Around loading pits Use indoors or in occasionally wet locations Operational temperature -10°C up to +40°C
Features	Up to 3 meter wide Compact design, no loss of space Soft close system Effortless opening and closing Integrated shutter mechanism for limited finger trap hazard Flexible and impact resistant rail and post system UV resistant No maintenance required
Advisory speed	On posts: 3 km/h for vehicle of 3500 kg
MATERIAL	
Housing	Polyolefin - UV resistant - Fire class HB ^{**} - Non conductive - Impervious to most chemical products ^{**}
Baseplate and internal parts	Zinc coated steel / aluminum
STANDARD COLORS	
Posts	Yellow
Rails	Yellow
Caps and visible metals	Black
FIXATIONS (included)	
To fix the left and right post to the floor (8x)	<p>Concrete screw Zinc coated Length screw = 100 mm Size = Ø 12 mm Drill hole = Ø10 mm x 100 mm Sw: 17 mm Max load (pull out) = 7.7 kN</p> 

^{*}Fire class HB = Slow burning; classification according to UL94: US Standard for Safety of Flammability of Plastics
^{**}Ask your local sales office for resistance to specific chemicals.

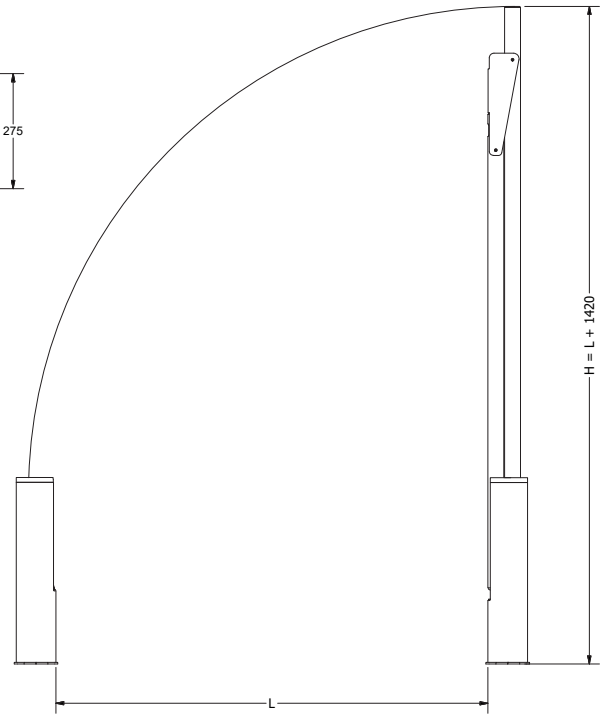
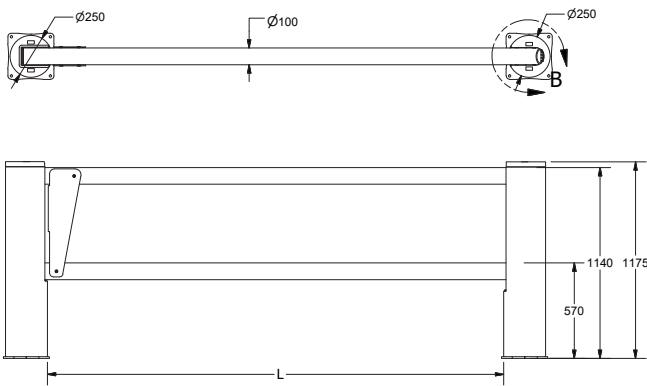


DRAWING AND DIMENSIONS

Height posts	1175mm
Diameter posts	Ø 250mm
Diameter rails	Ø 100 mm
Basplate	275 mm x 275 mm 10 mm thick



DETAIL B



REFERENCE AND SIZE

Reference	Description	Inner width (L)	Height when open (H)	Weight
DG2500-1800-S200YEZ	Dock gate 1800 - YE - ZC - (including 2 posts)	1800 mm	3245 mm	82,5 kg
DG2500-2100-S200YEZ	Dock gate 2100 - YE - ZC - (including 2 posts)	2100 mm	3545 mm	83,7 kg
DG2500-2400-S200YEZ	Dock gate 2400 - YE - ZC - (including 2 posts)	2400 mm	3845 mm	84,9 kg
DG2500-2700-S200YEZ	Dock gate 2700 - YE - ZC - (including 2 posts)	2700 mm	4145 mm	86,1 kg
DG2500-3000-S200YEZ	Dock gate 3000 - YE - ZC - (including 2 posts)	3000 mm	4445 mm	87,3 kg

COMPLIANCE

Compliance	Requirement	Status
Designed to meet OSHA® requirements	The top edge height of top rail 110cm is above the walking surface	✓
	The midrail is at 50cm above walking surface	✓
	The gate is capable of withstanding 90 kg force applied in a downward or outward direction. The deflection during the test of the top rail may not cause the top rail to be lower than 99cm above walking surface.	✓
	No sharp edges; smooth surface	✓

* OSHA 1910.29 B Fall protection systems and falling object protection-criteria and practices.