



# DOCK GATE BOPLAN FLEX IMPACT SPECIFICATION SHEET

Boplan reference: DG2500-...  
Revision: 13 September 2021 9:05 AM



## PRODUCT SPECIFICATIONS

### APPLICATION

Protection	Double rail safety gate up to 3 meter.
Environment	Around loading docks Around loading pits
Features	Up to 3 meter wide Compact design, no loss of space Soft close system - closing speed dependant on gate size (5 to 10 seconds) Effortless opening and closing Integrated shutter mechanism for limited finger trap hazard Flexible and impact resistant rail and post system UV resistant No maintenace required Reinforced version available

### MATERIAL




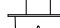
Housing	Polyolefin - UV resistant - Fire class E <sup>s</sup> - Non conductive - Impervious to most chemical products**
Baseplate and internal parts	Zinc coated steel / aluminum

### STANDARD COLORS

Posts	Yellow
Rails	Yellow
Caps and visible metals	Black

\*Classification according to EN 13501-1:2007 +A1:2009 - Fire classification of construction products and building elements.  
\*\*Ask your local sales office for resistance to specific chemicals.

### FIXATIONS

		ZC (Zinc coated)	SS (Stainless steel)
STANDARD	Concrete screw	 Ø12mm x 100mm	Not available
	Anchor rod (Chemical)	 M12 x 120mm + Chemical resin	Not available
ALTERNATIVES	Asphalt anchor	 Bolt M10 x 40mm + Screw Ø16mm	Not available
	Spit anchor	 Bolt M12 x 100mm + Plug Ø20mm	Not available

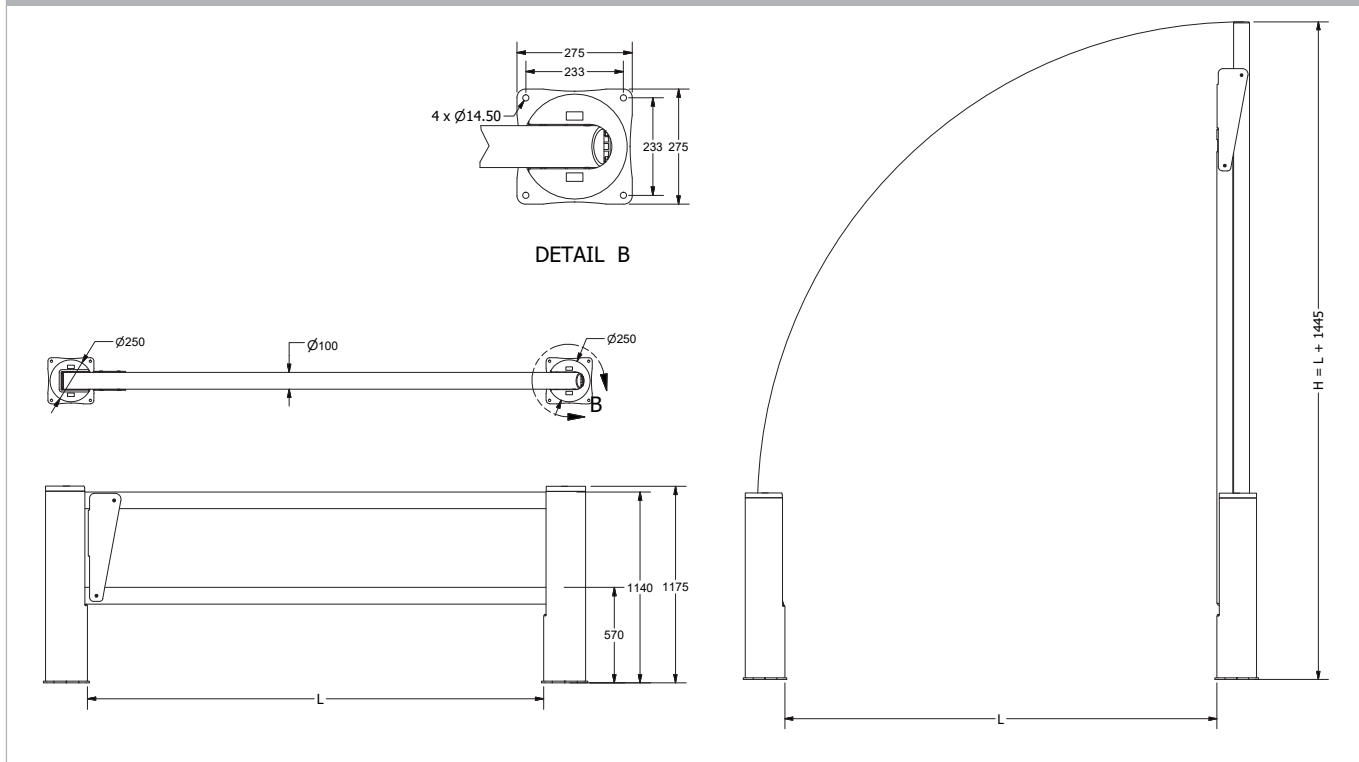




SIZE	
Height posts	1175 mm
Profile section tubes	Ø100 mm (8 mm thick)
Profile section posts	Ø250 mm (11 mm thick)
Baseplate	275 mm x 275 mm (10 mm thick)

REQUIREMENTS	
Concrete quality	minimum C25/30
Concrete floor plate thickness (mm)	minimum 150 mm
Concrete slab dimension around posts (mm)	600 (h) x 600 (w) x 500 (d)
Operational temperature	0°C up to +40°C
Water and humidity	Use indoors or in occasionally wet locations

## DRAWING AND DIMENSIONS



## COMPLIANCE

Designed to meet OSHA <sup>®</sup> requirements	The top edge height of top rail 110cm is above the walking surface	✓
	The midrail is at 50cm above walking surface	✓
	The gate is capable of withstanding 90 kg force applied in a downward or outward direction. The deflection during the test of the top rail may not cause the top rail to be lower than 99cm above walking surface.	✓
	No sharp edges; smooth surface	✓

\* OSHA 1910.29 B Fall protection systems and falling object protection-criteria and practices.



boplan READY FOR IMPACT		IMPACT LABEL FOR SAFETY BARRIERS																									
<b>BOPLAN DG DOCK GATE</b>																											
IMPACT RATING		90° PAS 13:2017 compliant																									
<table border="1"> <tr><td>E80</td><td>&lt; 80 kJ</td></tr> <tr><td>E60</td><td>&lt; 60 kJ</td></tr> <tr><td>E50</td><td>&lt; 50 kJ</td></tr> <tr><td>E40</td><td>&lt; 40 kJ</td></tr> <tr><td>E35</td><td>&lt; 35 kJ</td></tr> <tr><td>E30</td><td>&lt; 30 kJ</td></tr> <tr><td>E25</td><td>&lt; 25 kJ</td></tr> <tr><td>E20</td><td>&lt; 20 kJ</td></tr> <tr><td>E15</td><td>&lt; 15 kJ</td></tr> <tr><td>E10</td><td>&lt; 10 kJ</td></tr> <tr><td>E5</td><td>&lt; 5,0 kJ</td></tr> <tr><td>E2</td><td>&lt; 2,5 kJ</td></tr> </table>		E80	< 80 kJ	E60	< 60 kJ	E50	< 50 kJ	E40	< 40 kJ	E35	< 35 kJ	E30	< 30 kJ	E25	< 25 kJ	E20	< 20 kJ	E15	< 15 kJ	E10	< 10 kJ	E5	< 5,0 kJ	E2	< 2,5 kJ		
E80	< 80 kJ																										
E60	< 60 kJ																										
E50	< 50 kJ																										
E40	< 40 kJ																										
E35	< 35 kJ																										
E30	< 30 kJ																										
E25	< 25 kJ																										
E20	< 20 kJ																										
E15	< 15 kJ																										
E10	< 10 kJ																										
E5	< 5,0 kJ																										
E2	< 2,5 kJ																										
<b>TEST CONDITIONS</b>	<b>TEST VEHICLE</b>	<b>BOPLAN TEST LAB</b>																									
TEMPERATURE: 20°C IMPACT HEIGHT: 520 mm IMPACT ANGLE: 90° TEST FLOOR: CONCRETE C25/30 - 160 mm MANUFACTURER ANCHOR PULL OUT: 7,7 kN	WEIGHT: 3350 KG TYPE: COMMERCIAL FORK LIFT SIZE (L x W x h): 1890 x 1020 x 1970 mm CONTACT AREA: STEEL BUMPER WIDTH: 600 mm	Muizelstraat 12 8560 Moorsele Belgium																									
<b>SUCCESS CRITERIA</b> VEHICLE STOPPED - ASI (ACCELERATION SEVERITY INDEX) < 0.5																											

boplan READY FOR IMPACT		IMPACT LABEL FOR SAFETY BARRIERS																									
<b>BOPLAN DG DOCK GATE FORCE</b>																											
IMPACT RATING		90° PAS 13:2017 compliant																									
<table border="1"> <tr><td>E80</td><td>&lt; 80 kJ</td></tr> <tr><td>E60</td><td>&lt; 60 kJ</td></tr> <tr><td>E50</td><td>&lt; 50 kJ</td></tr> <tr><td>E40</td><td>&lt; 40 kJ</td></tr> <tr><td>E35</td><td>&lt; 35 kJ</td></tr> <tr><td>E30</td><td>&lt; 30 kJ</td></tr> <tr><td>E25</td><td>&lt; 25 kJ</td></tr> <tr><td>E20</td><td>&lt; 20 kJ</td></tr> <tr><td>E15</td><td>&lt; 15 kJ</td></tr> <tr><td>E10</td><td>&lt; 10 kJ</td></tr> <tr><td>E5</td><td>&lt; 5,0 kJ</td></tr> <tr><td>E2</td><td>&lt; 2,5 kJ</td></tr> </table>		E80	< 80 kJ	E60	< 60 kJ	E50	< 50 kJ	E40	< 40 kJ	E35	< 35 kJ	E30	< 30 kJ	E25	< 25 kJ	E20	< 20 kJ	E15	< 15 kJ	E10	< 10 kJ	E5	< 5,0 kJ	E2	< 2,5 kJ		
E80	< 80 kJ																										
E60	< 60 kJ																										
E50	< 50 kJ																										
E40	< 40 kJ																										
E35	< 35 kJ																										
E30	< 30 kJ																										
E25	< 25 kJ																										
E20	< 20 kJ																										
E15	< 15 kJ																										
E10	< 10 kJ																										
E5	< 5,0 kJ																										
E2	< 2,5 kJ																										
<b>TEST CONDITIONS</b>	<b>TEST VEHICLE</b>	<b>BOPLAN TEST LAB</b>																									
TEMPERATURE: 20°C IMPACT HEIGHT: 520 mm IMPACT ANGLE: 90° TEST FLOOR: CONCRETE C25/30 - 160 mm MANUFACTURER ANCHOR PULL OUT: 7,7 kN	WEIGHT: 3350 KG TYPE: COMMERCIAL FORK LIFT SIZE (L x W x h): 1890 x 1020 x 1970 mm CONTACT AREA: STEEL BUMPER WIDTH: 600 mm	Muizelstraat 12 8560 Moorsele Belgium																									
<b>SUCCESS CRITERIA</b> VEHICLE STOPPED - ASI (ACCELERATION SEVERITY INDEX) < 0.5																											

\* The impact performance has not been tested for gate sizes (inner width) ≠ 1800 mm.

### REFERENCE LIST - DOCK GATE

Reference	Description	Inner width (L)	Height when open (H)	Weight
DG2500-1800-S200YEZ	Dock gate 1800 - YE - ZC - (including 2 posts)	1800 mm	3245 mm	82,5 kg
DG2500-2100-S200YEZ	Dock gate 2100 - YE - ZC - (including 2 posts)	2100 mm	3545 mm	83,7 kg
DG2500-2400-S200YEZ	Dock gate 2400 - YE - ZC - (including 2 posts)	2400 mm	3845 mm	84,9 kg
DG2500-2700-S200YEZ	Dock gate 2700 - YE - ZC - (including 2 posts)	2700 mm	4145 mm	86,1 kg
DG2500-3000-S200YEZ	Dock gate 3000 - YE - ZC - (including 2 posts)	3000 mm	4445 mm	87,3 kg

### REFERENCE LIST - DOCK GATE FORCE

Reference	Description	Inner width (L)	Height when open (H)	Weight
DG2500-1800-S201YEZ	Dock gate force 1800 - YE - ZC - (including 2 posts)	1800 mm	3245 mm	91,3 kg
DG2500-2100-S201YEZ	Dock gate force 2100 - YE - ZC - (including 2 posts)	2100 mm	3545 mm	91,8 kg
DG2500-2400-S201YEZ	Dock gate force 2400 - YE - ZC - (including 2 posts)	2400 mm	3845 mm	94,4 kg
DG2500-2700-S201YEZ	Dock gate force 2700 - YE - ZC - (including 2 posts)	2700 mm	4145 mm	95,7 kg
DG2500-3000-S201YEZ	Dock gate force 3000 - YE - ZC - (including 2 posts)	3000 mm	4445 mm	97,2 kg