

FLIP 180 M BOPLAN PLINTH SPECIFICATION SHEET

Revision: 30 May 2022 9:30 AM
Boplan reference: PL1800 ...



PRODUCT SPECIFICATIONS

APPLICATION

Environment	Ground level protection - Wall protection (refrigerator walls, decorative walls, sandwich panels) - Wheel guide for pallet trucks or trolleys in busy traffic lanes - Protection of machines and infrastructures - Below a Boplan traffic barrier system - Indoor and outdoor use - Food industry
-------------	--

MATERIAL

Connection pieces / Rails	Novilene® - UV resistant - Fire class E* - Non conductive - Impervious to most chemicals***
Cap / Seal	Rubber - UV resistant - Fire class E* - Non conductive - Impervious to most chemicals**

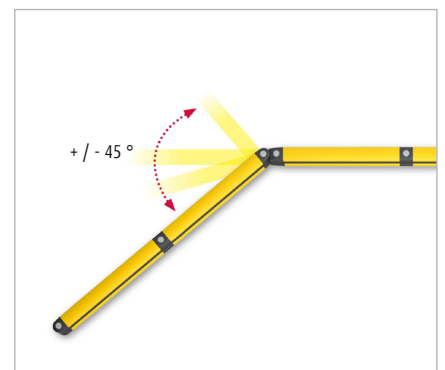
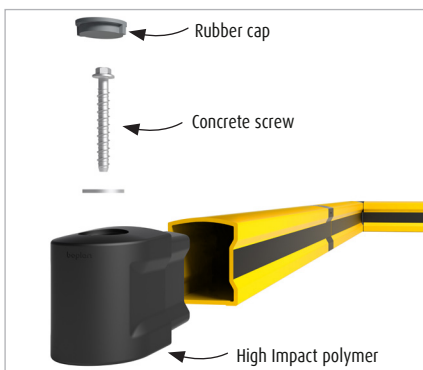
STANDARD COLORS

Connection pieces	Black
Rail	Yellow / Black - Black / Yellow (Bi-color)

*Classification according to EN 13501-1:2007 +A1:2009 - Fire classification of construction products and building elements.
**Ask your local sales office for resistance to specific chemicals.

FIXATIONS

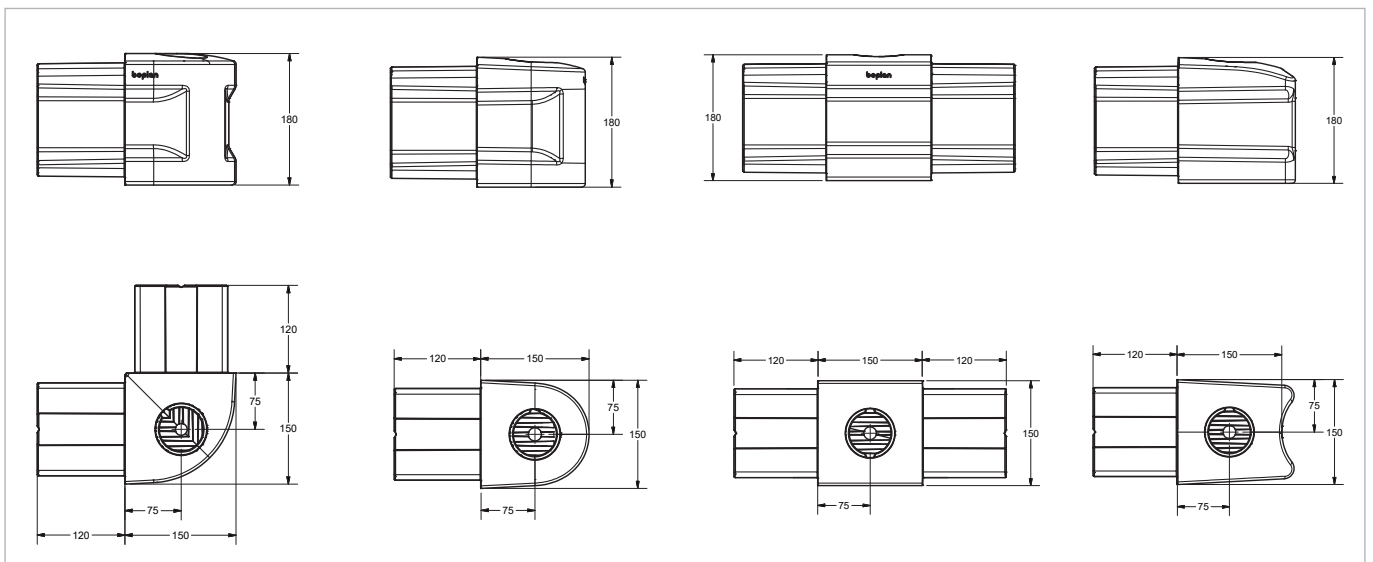
			ZC (Zinc coated)	SS (Stainless steel)
STANDARD	Concrete screw		Ø17mm x 135mm	Not available
	Anchor rod (Chemical)		M16 x 120mm + Chemical resin	M16 x 120mm + Chemical resin
ALTERNATIVES	Wedge Anchor		M16 x 140mm	Not available
	Asphalt anchor		Bolt M16 x 100mm + Screw Ø22mm	Not available



FEATURES AND FUNCTIONALITY

IMPACT LABEL FOR SAFETY BARRIERS		
BOPLAN FLIP 180 M		
IMPACT RATING	45°	90° PAS 13:2017 compliant
E80 < 80 kJ		
E60 < 60 kJ		
E50 < 50 kJ		
E40 < 40 kJ		
E35 < 35 kJ		
E30 < 30 kJ		
E25 < 25 kJ		
E20 < 20 kJ		
E15 < 15 kJ		
E10 < 10 kJ		
E5 < 5,0 kJ	4.9kJ	3.5kJ
E2 < 2,5 kJ		
DEFLECTION At maximum impact energy	D = NA	D = 197 mm
TEST CONDITIONS TEMPERATURE: 20°C IMPACT ANGLE: 90° - IMPACT HEIGHT: 125 mm STANDARD RAIL LENGTH: 1400 mm TEST FLOOR: CONCRETE C25/30 - 160 mm MANUFACTURER ANCHOR PULL OUT: 12.6kN	TEST VEHICLE WEIGHT: 3762 KG TYPE: BOPLAN IMPACT TEST VEHICLE SIZE (L x W x h): 3100 x 1100 x 1150 mm CONTACT AREA: STEEL BUMPER WIDTH: 1000 mm	BOPLAN TEST LAB Muiselstraat 12 8560 Moorsele Belgium
SUCCESS CRITERIA VEHICLE STOPPED - ASI (ACCELERATION SEVERITY INDEX) <0.5		

SIZE	
Height	180 mm
Profile section	180 mm x 150 mm (10 mm thick)
Standard rail length	see next page
REQUIREMENTS	
Compatibility	Below TB 400 / TB400 Plus / HP Plus - ...
Floor	Industrial concrete, flat surface
Concrete quality	minimum C25/30
Concrete floor plate thickness (mm)	minimum 150
Operational temperature	+5°C up to +40°C
Water and humidity	Zinc coated fixations: indoor and outdoor use in most environments



REFERENCE LIST - FLIP

CONNECTION PIECES			RAIL SETS				
Endpost	PL1800-0001-EPBL		Standard rail	700 mm	850 mm	PL1800-0700-0001YB	PL1800-0700-0001BY
			Standard rail	800 mm	950 mm	PL1800-0800-0001YB	PL1800-0800-0001BY
			Standard rail	900 mm	1050 mm	PL1800-0900-0001YB	PL1800-0900-0001BY
Midpost	PL1800-0001-MPBL		Standard rail	1000 mm	1150 mm	PL1800-1000-0001YB	PL1800-1000-0001BY
			Standard rail	1100 mm	1250 mm	PL1800-1100-0001YB	PL1800-1100-0001BY
			Standard rail	1200 mm	1350 mm	PL1800-1200-0001YB	PL1800-1200-0001BY
Corner post 90°	PL1800-0001-CPBL		Standard rail	1300 mm	1450 mm	PL1800-1300-0001YB	PL1800-1300-0001BY
			Standard rail	1400 mm	1550 mm	PL1800-1400-0001YB	PL1800-1400-0001BY
			Standard rail	1500 mm	1650 mm	PL1800-1500-0001YB	PL1800-1500-0001BY
Universal corner post	PL1800-0001-UCBL		Standard rail	1600 mm	1750 mm	PL1800-1600-0001YB	PL1800-1600-0001BY
			Standard rail	1700 mm	1850 mm	PL1800-1700-0001YB	PL1800-1700-0001BY
			Standard rail	1800 mm	1950 mm	PL1800-1800-0001YB	PL1800-1800-0001BY
Standard rail	1900 mm	2050 mm	PL1800-1900-0001YB	PL1800-1900-0001BY			
Standard rail	2000 mm	2150 mm	PL1800-2000-0001YB	PL1800-2000-0001BY			
Non Std rail	300 - 1299 mm	450 - 1449 mm	PL1801-1449-0001YB	PL1801-1449-0001BY			
Non Std rail	1301 - 1999 mm	1451 - 2149 mm	PL1801-2149-0001YB	PL1801-2149-0001BY			

The impact performance has not been tested for tube lengths >1400 mm.
Only use longer lengths for non - critical applications.

