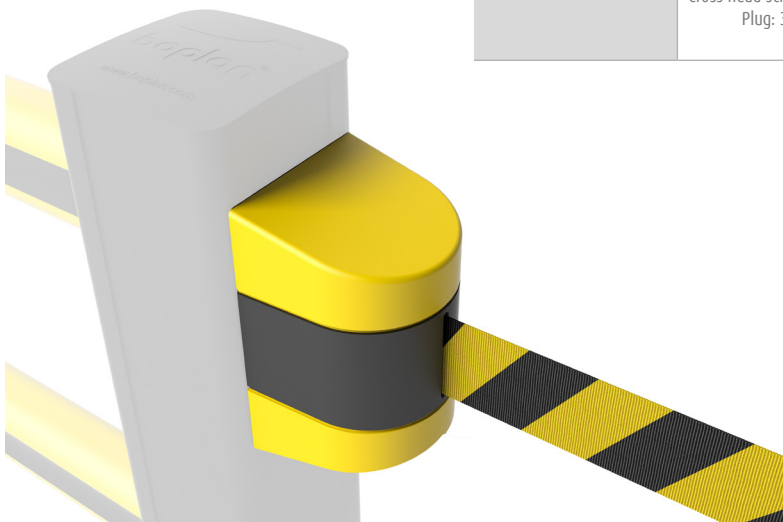




# BELT BARRIER BOPLAN FLEX IMPACT SPECIFICATION SHEET

Boplan reference: BB - ...  
Revision: 4 September 2020 2:08 PM



## PRODUCT SPECIFICATIONS

### APPLICATION

Environment	Quickly open and close restricted areas with the help of a belt barrier. Indoor use only.
Features	Automatic retracting mechanism Available in two lengths Highly visible because of the yellow / black strips on the webbing Easy to mount between walls, on a Boplan plastic post or between metal racks All fixations included, also magnets to mount to a metal structure
Operational temperature	-20°C up to +40°C
Attach to	A wall, rack beam, or other structure. 5 meter version: possible to attach to HP plus post (NOT to a HD light post). 10 meter version: not possible to attach to HP plus or HD light post.

### MATERIAL

Housing	ABS
Webbing	Nylon
Internal components	Steel and plastic (spring in stainless steel)

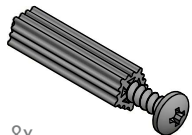
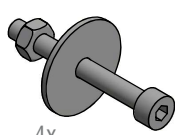
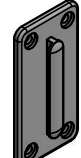
### STANDARD COLORS

Housing	Black body with yellow caps
Belt	Hazard (HZ) = Yellow / black stripes

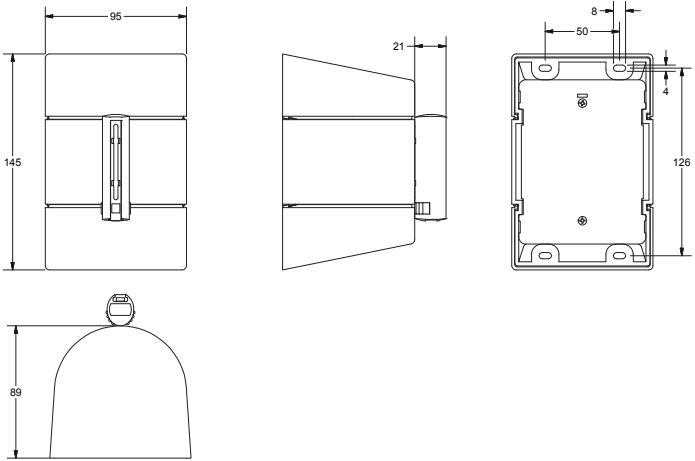
### SIZE AND PROPERTIES

	Belt Barrier - 5M	Belt Barrier - 10M
Outer dimensions	145(H) x 95 (W) x 90 (D)	167 (H) x 117 (W) x 109 (D)
Weight	490 gram	990 gram

### FIXATIONS (included)

Type	 8X Cross head screw ZC: 30mm x Ø4mm Plug: 30mm x Ø9mm	 4X Nut M4 - ZC Bolt M4x25mm - ZC Washer - ZC	 1X Wall clip 40mm x 80mm
------	---	--	---

**REFERENCE LIST - BELT BARRIER**

<p>BB0050-0050-HZ</p>	<p>Belt Barrier - 5M Color Belt: Hazard</p>	
<p>BB0100-0050-HZ</p>	<p>Belt Barrier - 10M Color Belt: Hazard</p>	