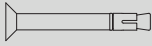


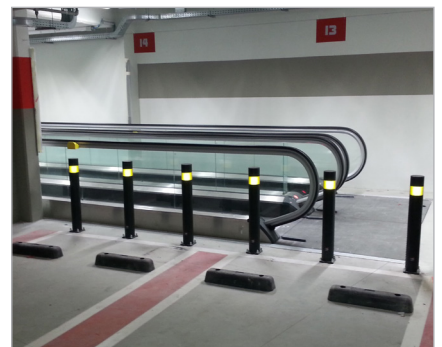
# BO LIGHT BOPLAN BOLLARD LIGHT SPECIFICATION SHEET

Revision: 23 January 2020 11:40 AM  
Boplan reference: B0125



PRODUCT SPECIFICATIONS		
APPLICATION		
Environment	The BO Light is the lightest in the series of impact-resistant bollards in Boplan's FLEX IMPACT® series. The BO Light is often selected to protect gates, access ways, corners, building façades, loading platforms and machines from collisions involving minor impact risk. Countersunk fixations avoid passing goods and vehicles get damaged.	
Advisory speed	Use for hand pallet trucks, warehouse trolley and other light vehicles at walking speed.	
MATERIAL		
	Polyolefin - UV resistant - Fire class HB* - Non conductive - Impervious to most chemicals**	
COLORS		
	Standard: Yellow Also available in black Also available with stripes	
BASEPLATES		
	Zinc Coated Steel Countersunk	Stainless steel Countersunk
Material	Steel 37	INOX (RVS 304)
Coating	Lacquered + electro plating	No lacquer / No coating
Color	Matt black	Natural color
FIXATIONS		
	ZINC COATED	INOX
CHAMFERED HEAD EXPANSION ANCHOR 	L = 85 ; Ø = 12 mm ; M8 4.8 kN max pull force	L = 85 ; Ø = 12 mm ; M8 4.3 kN max pull force

\*Fire class HB = Slow burning; classification according to UL94: US Standard for Safety of Flammability of Plastics ; Class E according to EN 13501-1  
\*\*Ask your local sales office for resistance to specific chemicals.



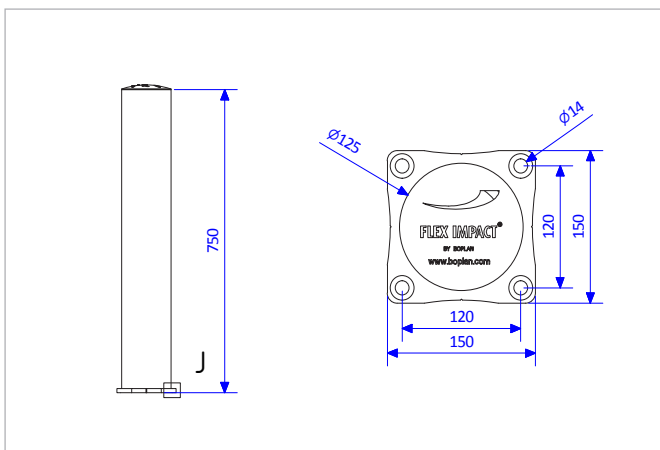
**FEATURES AND FUNCTIONALITY**

SIZE		
Height	300 mm 750 mm 1000 mm 250 mm - 1000 mm	
Profile section	Ø125 mm (10 mm thick)	
Baseplate	150 mm x 150 mm (10 mm thick)	
IMPACT PERFORMANCE		
Test conditions	Ambient temperature Height bollard Vehicle weight Floor Success criteria	20°C 1000mm 250 kg Industrial concrete Trolley stopped
90° impact	Maximum impact	500 Joule

REQUIREMENTS	
Concrete quality	minimum C25/30
Concrete floor plate thickness (mm)	minimum 150 mm
Concrete slab dimension around posts (mm)	400 (h) x 400 (w) x 300 (d)
Operational temperature	-10°C up to +40°C
Water and humidity	<b>Zinc coated:</b> Indoor and outdoor use in most environments. <b>RVS:</b> outdoor use or frequent exposure to water and humidity.

**REFERENCE LIST - BOLLARD LIGHT**

	ZINC COATED (ZC) Countersunk		STAINLESS STEEL (SS) Countersunk	
	YELLOW	MULTICOLOR	YELLOW	MULTICOLOR
	300 mm	B01250-0300-0001YEZ	B01250-0300-0001MCZ	B01250-0300-0001YES
750 mm	B01250-0750-0001YEZ	B01250-0750-0001MCZ	B01250-0750-0001YES	B01250-0750-0001MCS
1000 mm	B01250-1000-0001YEZ	B01250-1000-0001MCZ	B01250-1000-0001YES	B01250-1000-0001MCS
250 - 1000 mm	B01251-1000-0001YEZ	B01251-1000-0001MCZ	B01251-1000-0001YES	B01251-1000-0001MCS



STRIPES (B0 not included)			
	Black	White	Yellow
1 STRIPE	PA0300-0125-0001BL	PA0300-0125-0001WH	PA0300-0125-0001YE