

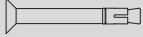


# BO IMPACT BOPLAN BOLLARD IMPACT SPECIFICATION SHEET

Revision: 3 December 2018 9:03 AM  
Boplan reference: B0200



PRODUCT SPECIFICATIONS			
APPLICATION			
Environment	Areas with frequent impact risks occurs Eg: in the vicinity of gates, access ways, corners and machines. A bollard can be used free standing or as an end post in a traffic barrier system.		
Advisory speed	4 km/h	For gross weight vehicle of 2500 kg	
	3 km/h	For gross weight vehicle of 5000 kg	
MATERIAL			
	Polyolefin - UV resistant - Fire class HB* - Non conductive - Impervious to most chemicals**		
COLORS			
	Standard: Yellow Also available in black and grey (multicolor) Also available with stripes		
BASEPLATES			
	Zinc Coated Steel Non - countersunk	Zinc Coated Steel COUNTERSUNK	Stainless steel Non - countersunk
Material	Steel 37	Steel 37	INOX (RVS 304)
Coating	Lacquered + electro plating	Lacquered + electro plating	No Itacquer / No coating
Color	Matt black	Matt black	Natural color
FIXATIONS			
	ZINC COATED		INOX
HEAVY DUTY EXPANSION ANCHOR 	L = 120 ; Ø = 20 mm ; M12 17 kN max pull force		L = 120 ; Ø = 20 mm ; M12 10.7 kN max pull force
THREADED ROD (WITH CHEMICAL ANCHOR) 	L = 120 ; Ø = 18 mm ; M16 20 kN max pull force		L = 120 ; Ø = 18 mm ; M16 20 kN max pull force
CHAMFERED HEAD EXPANSION ANCHOR 	L = 120 ; Ø = 20 mm M12 17.2 kN max pull force		L = 120 ; Ø = 20 mm M12 10.7 kN max pull force

\*Fire class HB = Slow burning; classification according to UL94: US Standard for Safety of Flammability of Plastics ; Class E according to EN 13501-1  
\*\*Ask your local sales office for resistance to specific chemicals.

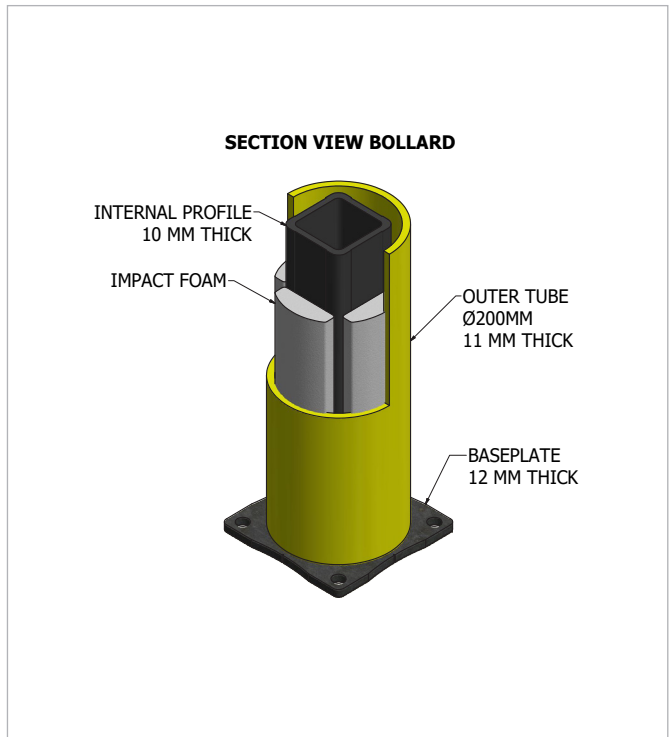


**FEATURES AND FUNCTIONALITY**

SIZE	
Height	450 mm 750 mm 1000 mm 1200 mm 250mm - 2500mm
Profile section post	Outer tube: Ø200 mm (11 mm thick) Inner profile: 112 mm x 112 mm (10 mm thick) Impact foam (between Outer tube and Inner profile)
Profile section rails (if used)	Rail 88 mm x 88 mm (7.5 mm thick)
	Rail 50 mm x 70 mm (6.0 mm thick)
Baseplate	230 mm x 230 mm (12 mm thick)

REQUIREMENTS	
Concrete quality	minimum C25/30
Concrete floor plate thickness (mm)	minimum 150 mm
Concrete slab dimension around posts (mm)	400 (h) x 400 (w) x 300 (d)
Operational temperature	-10°C up to +40°C
Water and humidity	<b>Zinc coated:</b> Indoor and outdoor use in most environments. <b>RVS:</b> outdoor use or frequent exposure to water and humidity.

IMPACT PERFORMANCE		
Test conditions	Ambient temperature Height bollard Fork lift weight Floor Success criteria	20°C 1200mm 2300kg Industrial concrete Fork lift stopped
90° impact	Maximum impact	3200 Joule
45° impact	Maximum impact	4500 Joule

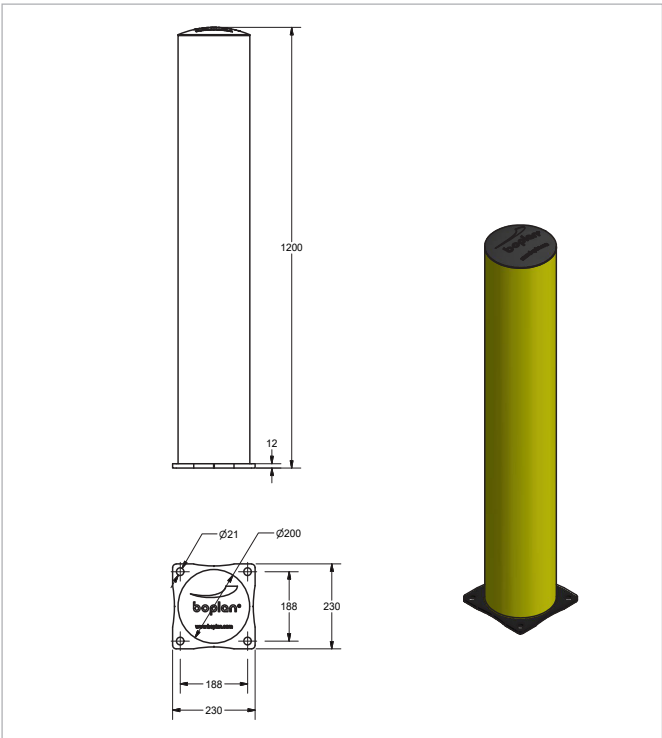


S = Stainless steel (=inox = RVS)  
 Z = Zinc coated (=galvanized)  
 C = chamfered  
 YE = Yellow  
 MC = Multicolor



## REFERENCE LIST - BOLLARD IMPACT

	ZINC COATED (ZC) Non - countersunk		ZINC COATED (ZC) COUNTERSUNK		STAINLESS STEEL (SS) Non - countersunk	
	YELLOW	MULTICOLOR	YELLOW	MULTICOLOR	YELLOW	MULTICOLOR
	450 mm	BO2000-0450-0001YEZ	BO2000-0450-0001MCZ	BO2000-0450-0001YEC	BO2000-0450-0001MCC	BO2000-0450-0001YES
600 mm	BO2000-0600-0001YEZ	BO2000-0600-0001MCZ	BO2000-0600-0001YEC	BO2000-0600-0001MCC	BO2000-0600-0001YES	BO2000-0600-0001MCS
750 mm	BO2000-0750-0001YEZ	BO2000-0750-0001MCZ	BO2000-0750-0001YEC	BO2000-0750-0001MCC	BO2000-0750-0001YES	BO2000-0750-0001MCS
1000 mm	BO2000-1000-0001YEZ	BO2000-1000-0001MCZ	BO2000-1000-0001YEC	BO2000-1000-0001MCC	BO2000-1000-0001YES	BO2000-1000-0001MCS
1200 mm	BO2000-1200-0001YEZ	BO2000-1200-0001MCZ	BO2000-1200-0001YEC	BO2000-1200-0001MCC	BO2000-1200-0001YES	BO2000-1200-0001MCS
250 - 1200 mm	BO2001-1200-0001YEZ	BO2001-1200-0001MCZ	BO2001-1200-0001YEC	BO2001-1200-0001MCC	BO2001-1200-0001YES	BO2001-1200-0001MCS
1201 - 1525 mm	BO2001-1525-0001YEZ	BO2001-1525-0001MCZ	BO2001-1525-0001YEC	BO2001-1525-0001MCC	BO2001-1525-0001YES	BO2001-1525-0001MCS
1600 - 2000 mm	BO2001-2000-0001YEZ	BO2001-2000-0001MCZ	BO2001-2000-0001YEC	BO2001-2000-0001MCC	BO2001-2000-0001YES	BO2001-2000-0001MCS
2100 - 2500 mm	BO2001-2500-0001YEZ	BO2001-2500-0001MCZ	BO2001-2500-0001YEC	BO2001-2500-0001MCC	BO2001-2500-0001YES	BO2001-2500-0001MCS

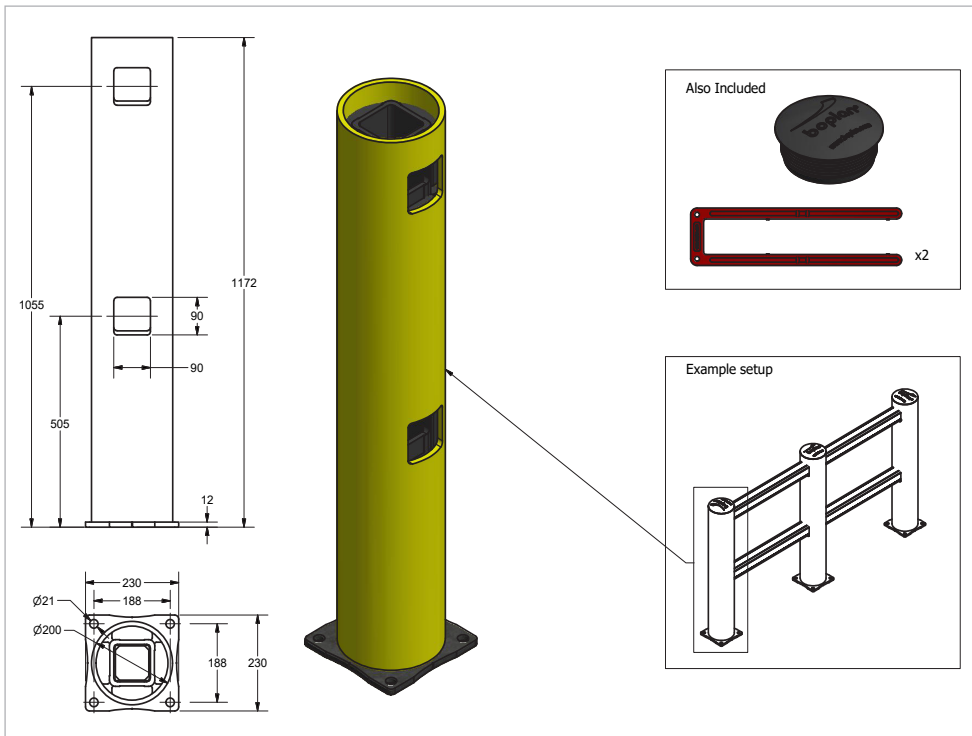


S = Stainless steel (=inox = RVS)  
 Z = Zinc coated (=galvanized)  
 C = chamfered  
 YE = Yellow  
 MC = Multicolor



**BOLLARD ENDOPOST (EP) - with rails 88**

		ZINC COATED (ZC) Non - countersunk		ZINC COATED (ZC) COUNTERSUNK		STAINLESS STEEL (SS) Non - countersunk	
		YELLOW	MULTICOLOR	YELLOW	MULTICOLOR	YELLOW	MULTICOLOR
2R	1200 mm	BO2000-1200-E208YEZ	BO2000-1200-E208MCZ	BO2000-1200-E208YEC	BO2000-1200-E208MCC	BO2000-1200-E208YES	BO2000-1200-E208MCS
	1201 - 1525 mm	BO2001-1500-E208YEZ	BO2001-1525-E208MCZ	BO2001-1500-E208YEC	BO2001-1525-E208MCC	BO2001-1500-E208YES	BO2001-1525-E208MCS
	1600 - 2000 mm	BO2001-2000-E208YEZ	BO2001-2000-E208MCZ	BO2001-2000-E208YEC	BO2001-2000-E208MCC	BO2001-2000-E208YES	BO2001-2000-E208MCS
	2100 - 2500 mm	BO2001-2500-E208YEZ	BO2001-2500-E208MCZ	BO2001-2500-E208YEC	BO2001-2500-E208MCC	BO2001-2500-E208YES	BO2001-2500-E208MCS
3R	1200 mm	BO2000-1200-E308YEZ	BO2000-1200-E308MCZ	BO2000-1200-E308YEC	BO2000-1200-E308MCC	BO2000-1200-E308YES	BO2000-1200-E308MCS
	1201 - 1525 mm	BO2001-1500-E308YEZ	BO2001-1525-E308MCZ	BO2001-1500-E308YEC	BO2001-1525-E308MCC	BO2001-1500-E308YES	BO2001-1525-E308MCS
	1600 - 2000 mm	BO2001-2000-E308YEZ	BO2001-2000-E308MCZ	BO2001-2000-E308YEC	BO2001-2000-E308MCC	BO2001-2000-E308YES	BO2001-2000-E308MCS
	2100 - 2500 mm	BO2001-2500-E308YEZ	BO2001-2500-E308MCZ	BO2001-2500-E308YEC	BO2001-2500-E308MCC	BO2001-2500-E308YES	BO2001-2500-E308MCS

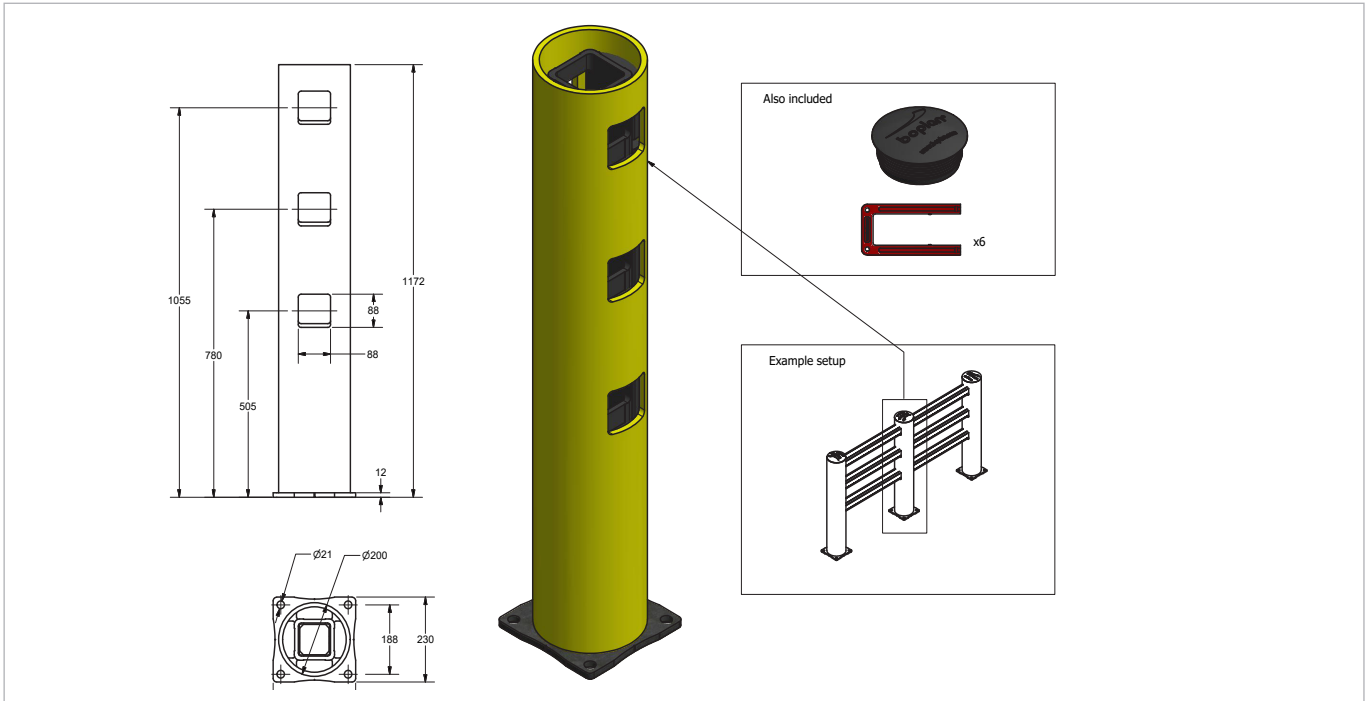


S = Stainless steel (=inox = RVS)  
 Z = Zinc coated (=galvanized)  
 C = chamfered  
 YE = Yellow  
 MC = Multicolor



**BOLLARD MIDPOST (MP) - with rails 88**

		ZINC COATED (ZC) Non - countersunk		ZINC COATED (ZC) COUNTERSUNK		STAINLESS STEEL (SS) Non - countersunk	
		YELLOW	MULTICOLOR	YELLOW	MULTICOLOR	YELLOW	MULTICOLOR
2R	1200 mm	BO2000-1200-M208YEZ	BO2000-1200-M208MCZ	BO2000-1200-M208YEC	BO2000-1200-M208MCC	BO2000-1200-M208YES	BO2000-1200-M208MCS
	1201 - 1525 mm	BO2001-1500-M208YEZ	BO2001-1525-M208MCZ	BO2001-1500-M208YEC	BO2001-1525-M208MCC	BO2001-1500-M208YES	BO2001-1525-M208MCS
	1600 - 2000 mm	BO2001-2000-M208YEZ	BO2001-2000-M208MCZ	BO2001-2000-M208YEC	BO2001-2000-M208MCC	BO2001-2000-M208YES	BO2001-2000-M208MCS
	2100 - 2500 mm	BO2001-2500-M208YEZ	BO2001-2500-M208MCZ	BO2001-2500-M208YEC	BO2001-2500-M208MCC	BO2001-2500-M208YES	BO2001-2500-M208MCS
3R	1200 mm	BO2000-1200-M308YEZ	BO2000-1200-M308MCZ	BO2000-1200-M308YEC	BO2000-1200-M308MCC	BO2000-1200-M308YES	BO2000-1200-M308MCS
	1201 - 1525 mm	BO2001-1500-M308YEZ	BO2001-1525-M308MCZ	BO2001-1500-M308YEC	BO2001-1525-M308MCC	BO2001-1500-M308YES	BO2001-1525-M308MCS
	1600 - 2000 mm	BO2001-2000-M308YEZ	BO2001-2000-M308MCZ	BO2001-2000-M308YEC	BO2001-2000-M308MCC	BO2001-2000-M308YES	BO2001-2000-M308MCS
	2100 - 2500 mm	BO2001-2500-M308YEZ	BO2001-2500-M308MCZ	BO2001-2500-M308YEC	BO2001-2500-M308MCC	BO2001-2500-M308YES	BO2001-2500-M308MCS

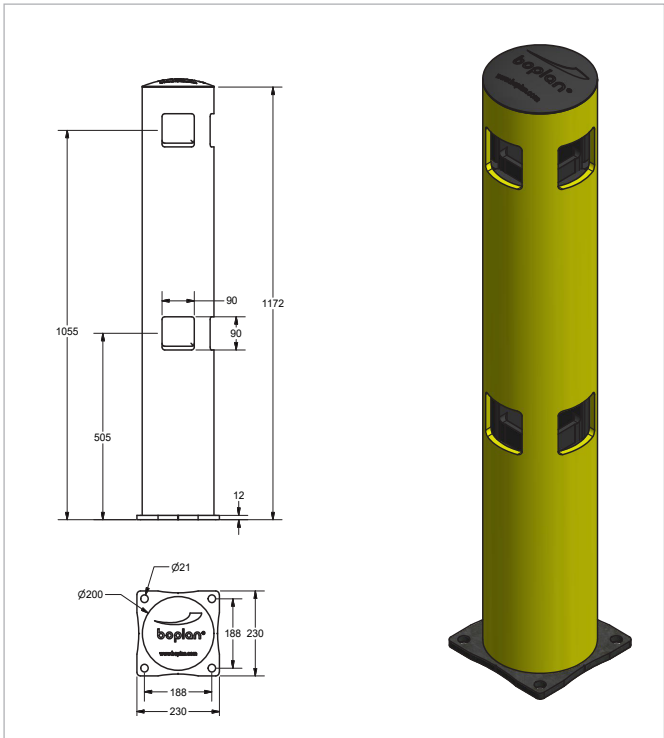


S = Stainless steel (=inox = RVS)  
 Z = Zinc coated (=galvanized)  
 C = chamfered  
 YE = Yellow  
 MC = Multicolor



**BOLLARD CORNER POST 90° (CP) - with rails 88**

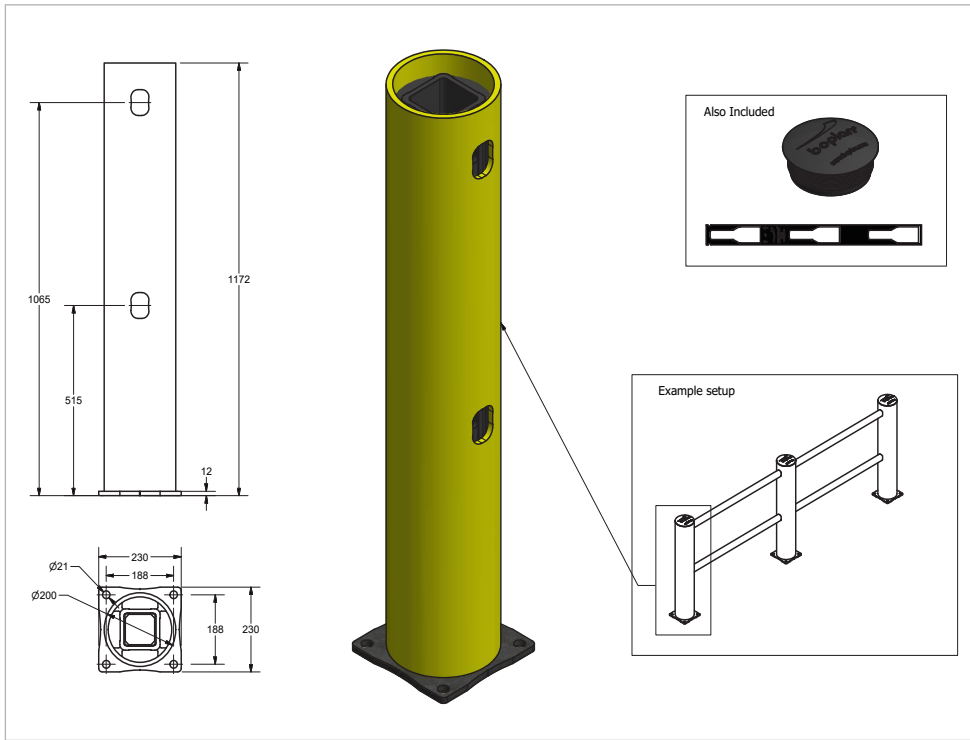
		ZINC COATED (ZC) Non - countersunk		ZINC COATED (ZC) COUNTERSUNK		STAINLESS STEEL (SS) Non - countersunk	
		YELLOW	MULTICOLOR	YELLOW	MULTICOLOR	YELLOW	MULTICOLOR
2R	1200 mm	B02000-1200-C298YEZ	B02000-1200-C298MCZ	B02000-1200-C298YEC	B02000-1200-C298MCC	B02000-1200-C298YES	B02000-1200-C298MCS
	1201 - 1525 mm	B02001-1500-C298YEZ	B02001-1525-C298MCZ	B02001-1500-C298YEC	B02001-1525-C298MCC	B02001-1500-C298YES	B02001-1525-C298MCS
	1600 - 2000 mm	B02001-2000-C298YEZ	B02001-2000-C298MCZ	B02001-2000-C298YEC	B02001-2000-C298MCC	B02001-2000-C298YES	B02001-2000-C298MCS
	2100 - 2500 mm	B02001-2500-C298YEZ	B02001-2500-C298MCZ	B02001-2500-C298YEC	B02001-2500-C298MCC	B02001-2500-C298YES	B02001-2500-C298MCS
3R	1200 mm	B02000-1200-C398YEZ	B02000-1200-C398MCZ	B02000-1200-C398YEC	B02000-1200-C398MCC	B02000-1200-C398YES	B02000-1200-C398MCS
	1201 - 1525 mm	B02001-1500-C398YEZ	B02001-1525-C398MCZ	B02001-1500-C398YEC	B02001-1525-C398MCC	B02001-1500-C398YES	B02001-1525-C398MCS
	1600 - 2000 mm	B02001-2000-C398YEZ	B02001-2000-C398MCZ	B02001-2000-C398YEC	B02001-2000-C398MCC	B02001-2000-C398YES	B02001-2000-C398MCS
	2100 - 2500 mm	B02001-2500-C398YEZ	B02001-2500-C398MCZ	B02001-2500-C398YEC	B02001-2500-C398MCC	B02001-2500-C398YES	B02001-2500-C398MCS



S = Stainless steel (=inox = RVS)  
 Z = Zinc coated (=galvanized)  
 C = chamfered  
 YE = Yellow  
 MC = Multicolor



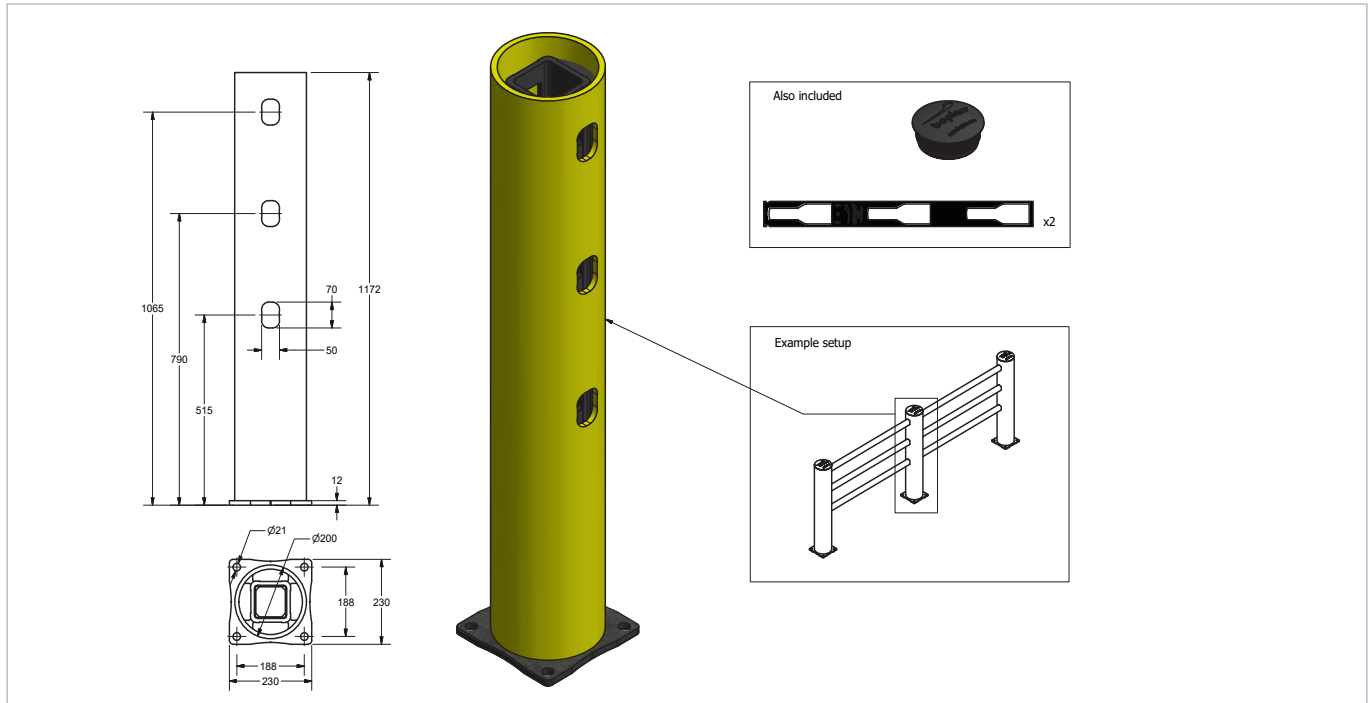
BOLLARD ENDPPOST (EP) - with handrails R50								
		ZINC COATED (ZC) Non - countersunk		ZINC COATED (ZC) COUNTERSUNK		STAINLESS STEEL (SS) Non - countersunk		
		YELLOW	MULTICOLOR	YELLOW	MULTICOLOR	YELLOW	MULTICOLOR	
HP	2R	1200 mm	BO2000-1200-E205HYEZ	BO2000-1200-E205HMCZ	BO2000-1200-E205HYEC	BO2000-1200-E205HMCC	BO2000-1200-E205HYES	BO2000-1200-E205HMCS
		1201 - 1525 mm	BO2001-1525-E205HYEZ	BO2001-1525-E205HMCZ	BO2001-1525-E205HYEC	BO2001-1525-E205HMCC	BO2001-1525-E205HYES	BO2001-1525-E205HMCS
		1600 - 2000 mm	BO2001-2000-E205HYEZ	BO2001-2000-E205HMCZ	BO2001-2000-E205HYEC	BO2001-2000-E205HMCC	BO2001-2000-E205HYES	BO2001-2000-E205HMCS
		2100 - 2500 mm	BO2001-2500-E205HYEZ	BO2001-2500-E205HMCZ	BO2001-2500-E205HYEC	BO2001-2500-E205HMCC	BO2001-2500-E205HYES	BO2001-2500-E205HMCS
3R		1200 mm	BO2000-1200-E305YEZ	BO2000-1200-E305MCZ	BO2000-1200-E305YEC	BO2000-1200-E305MCC	BO2000-1200-E305YES	BO2000-1200-E305MCS
		1201 - 1525 mm	BO2001-1500-E305YEZ	BO2001-1525-E305MCZ	BO2001-1500-E305YEC	BO2001-1525-E305MCC	BO2001-1500-E305YES	BO2001-1525-E305MCS
		1600 - 2000 mm	BO2001-2000-E305YEZ	BO2001-2000-E305MCZ	BO2001-2000-E305YEC	BO2001-2000-E305MCC	BO2001-2000-E305YES	BO2001-2000-E305MCS
		2100 - 2500 mm	BO2001-2500-E305YEZ	BO2001-2500-E305MCZ	BO2001-2500-E305YEC	BO2001-2500-E305MCC	BO2001-2500-E305YES	BO2001-2500-E305MCS
TB	2R	1200 mm	BO2000-1200-E205TYEZ	BO2000-1200-E205TMCZ	BO2000-1200-E205TYEC	BO2000-1200-E205TMCC	BO2000-1200-E205TYES	BO2000-1200-E205TMCS
		1201 - 1525 mm	BO2001-1500-E205TYEZ	BO2001-1500-E205TMCZ	BO2001-1500-E205TYEC	BO2001-1500-E205TMCC	BO2001-1500-E205TYES	BO2001-1500-E205TMCS
		1600 - 2000 mm	BO2001-2000-E205TYEZ	BO2001-2000-E205TMCZ	BO2001-2000-E205TYEC	BO2001-2000-E205TMCC	BO2001-2000-E205TYES	BO2001-2000-E205TMCS
		2100 - 2500 mm	BO2001-2500-E205TYEZ	BO2001-2500-E205TMCZ	BO2001-2500-E205TYEC	BO2001-2500-E205TMCC	BO2001-2500-E205TYES	BO2001-2500-E205TMCS



S = Stainless steel (=inox = RVS)  
 Z = Zinc coated (=galvanized)  
 C = chamfered  
 YE = Yellow  
 MC = Multicolor



BOLLARD MIDPOST (MP) - with handrails R50								
		ZINC COATED (ZC) Non - countersunk		ZINC COATED (ZC) COUNTERSUNK		STAINLESS STEEL (SS) Non - countersunk		
		YELLOW	MULTICOLOR	YELLOW	MULTICOLOR	YELLOW	MULTICOLOR	
HP	2R	1200 mm	<a href="#">BO2000-1200-M205HYEZ</a>	<a href="#">BO2000-1200-M205HMCZ</a>	<a href="#">BO2000-1200-M205HYEC</a>	<a href="#">BO2000-1200-M205HMCC</a>	<a href="#">BO2000-1200-M205HYES</a>	<a href="#">BO2000-1200-M205HMCS</a>
		1201 - 1525 mm	<a href="#">BO2001-1525-M205HYEZ</a>	<a href="#">BO2001-1525-M205HMCZ</a>	<a href="#">BO2001-1525-M205HYEC</a>	<a href="#">BO2001-1525-M205HMCC</a>	<a href="#">BO2001-1525-M205HYES</a>	<a href="#">BO2001-1525-M205HMCS</a>
		1600 - 2000 mm	<a href="#">BO2001-2000-M205HYEZ</a>	<a href="#">BO2001-2000-M205HMCZ</a>	<a href="#">BO2001-2000-M205HYEC</a>	<a href="#">BO2001-2000-M205HMCC</a>	<a href="#">BO2001-2000-M205HYES</a>	<a href="#">BO2001-2000-M205HMCS</a>
		2100 - 2500 mm	<a href="#">BO2001-2500-M205HYEZ</a>	<a href="#">BO2001-2500-M205HMCZ</a>	<a href="#">BO2001-2500-M205HYEC</a>	<a href="#">BO2001-2500-M205HMCC</a>	<a href="#">BO2001-2500-M205HYES</a>	<a href="#">BO2001-2500-M205HMCS</a>
3R		1200 mm	<a href="#">BO2000-1200-M305YEZ</a>	<a href="#">BO2000-1200-M305MCZ</a>	<a href="#">BO2000-1200-M305YEC</a>	<a href="#">BO2000-1200-M305MCC</a>	<a href="#">BO2000-1200-M305YES</a>	<a href="#">BO2000-1200-M305MCS</a>
		1201 - 1525 mm	<a href="#">BO2001-1500-M305YEZ</a>	<a href="#">BO2001-1525-M305MCZ</a>	<a href="#">BO2001-1500-M305YEC</a>	<a href="#">BO2001-1525-M305MCC</a>	<a href="#">BO2001-1500-M305YES</a>	<a href="#">BO2001-1525-M305MCS</a>
		1600 - 2000 mm	<a href="#">BO2001-2000-M305YEZ</a>	<a href="#">BO2001-2000-M305MCZ</a>	<a href="#">BO2001-2000-M305YEC</a>	<a href="#">BO2001-2000-M305MCC</a>	<a href="#">BO2001-2000-M305YES</a>	<a href="#">BO2001-2000-M305MCS</a>
		2100 - 2500 mm	<a href="#">BO2001-2500-M305YEZ</a>	<a href="#">BO2001-2500-M305MCZ</a>	<a href="#">BO2001-2500-M305YEC</a>	<a href="#">BO2001-2500-M305MCC</a>	<a href="#">BO2001-2500-M305YES</a>	<a href="#">BO2001-2500-M305MCS</a>
TB	2R	1200 mm	<a href="#">BO2000-1200-M205TYEZ</a>	<a href="#">BO2000-1200-M205TMCZ</a>	<a href="#">BO2000-1200-M205TYEC</a>	<a href="#">BO2000-1200-M205TMCC</a>	<a href="#">BO2000-1200-M205TYES</a>	<a href="#">BO2000-1200-M205TMCS</a>
		1201 - 1525 mm	<a href="#">BO2001-1500-M205TYEZ</a>	<a href="#">BO2001-1500-M205TMCZ</a>	<a href="#">BO2001-1500-M205TYEC</a>	<a href="#">BO2001-1500-M205TMCC</a>	<a href="#">BO2001-1500-M205TYES</a>	<a href="#">BO2001-1500-M205TMCS</a>
		1600 - 2000 mm	<a href="#">BO2001-2000-M205TYEZ</a>	<a href="#">BO2001-2000-M205TMCZ</a>	<a href="#">BO2001-2000-M205TYEC</a>	<a href="#">BO2001-2000-M205TMCC</a>	<a href="#">BO2001-2000-M205TYES</a>	<a href="#">BO2001-2000-M205TMCS</a>
		2100 - 2500 mm	<a href="#">BO2001-2500-M205TYEZ</a>	<a href="#">BO2001-2500-M205TMCZ</a>	<a href="#">BO2001-2500-M205TYEC</a>	<a href="#">BO2001-2500-M205TMCC</a>	<a href="#">BO2001-2500-M205TYES</a>	<a href="#">BO2001-2500-M205TMCS</a>

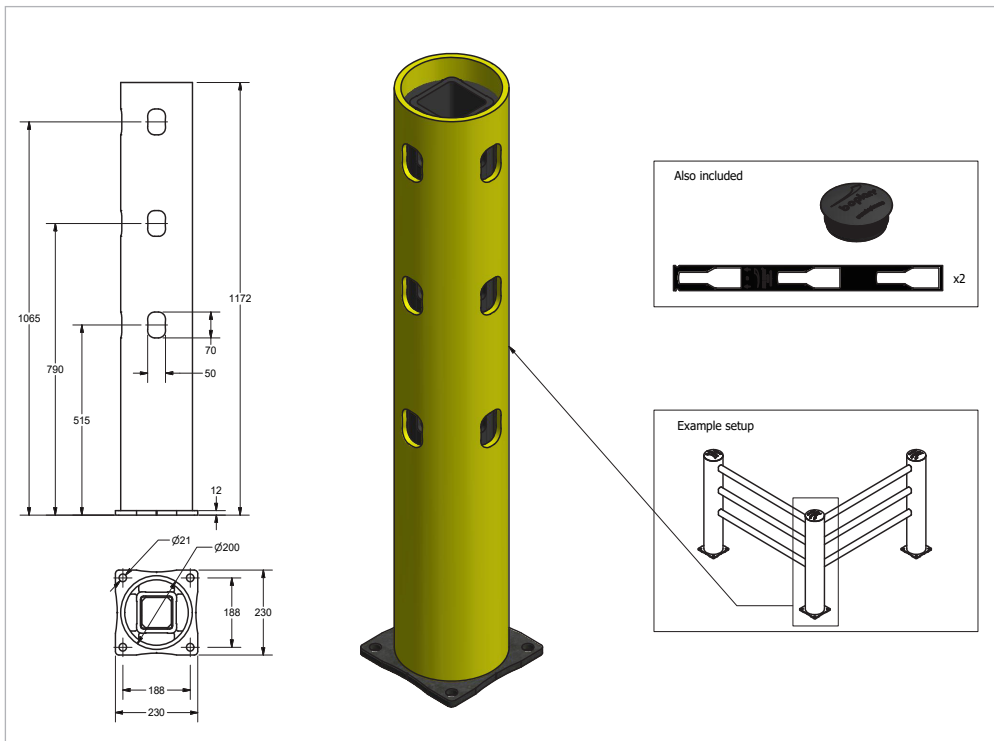




S = Stainless steel (=inox = RVS)  
 Z = Zinc coated (=galvanized)  
 C = chamfered  
 YE = Yellow  
 MC = Multicolor



BOLLARD CORNER POST 90° (CP) - with handrails R50							
		ZINC COATED (ZC) Non - countersunk		ZINC COATED (ZC) COUNTERSUNK		STAINLESS STEEL (SS) Non - countersunk	
		YELLOW	MULTICOLOR	YELLOW	MULTICOLOR	YELLOW	MULTICOLOR
2R	1200 mm	BO2000-1200-C295HYEZ	BO2000-1200-C295HMCZ	BO2000-1200-C295HYEC	BO2000-1200-C295HMCC	BO2000-1200-C295HYES	BO2000-1200-C295HMCS
	1201 - 1525 mm	BO2001-1525-C295HYEZ	BO2001-1525-C295HMCZ	BO2001-1525-C295HYEC	BO2001-1525-C295HMCC	BO2001-1525-C295HYES	BO2001-1525-C295HMCS
	1600 - 2000 mm	BO2001-2000-C295HYEZ	BO2001-2000-C295HMCZ	BO2001-2000-C295HYEC	BO2001-2000-C295HMCC	BO2001-2000-C295HYES	BO2001-2000-C295HMCS
	2100 - 2500 mm	BO2001-2500-C295HYEZ	BO2001-2500-C295HMCZ	BO2001-2500-C295HYEC	BO2001-2500-C295HMCC	BO2001-2500-C295HYES	BO2001-2500-C295HMCS
3R	1200 mm	BO2000-1200-C395YEZ	BO2000-1200-C395M CZ	BO2000-1200-C395YEC	BO2000-1200-C395MCC	BO2000-1200-C395YES	BO2000-1200-C395MCS
	1201 - 1525 mm	BO2001-1500-C395YEZ	BO2001-1525-C395M CZ	BO2001-1500-C395YEC	BO2001-1525-C395MCC	BO2001-1500-C395YES	BO2001-1525-C395MCS
	1600 - 2000 mm	BO2001-2000-C395YEZ	BO2001-2000-C395M CZ	BO2001-2000-C395YEC	BO2001-2000-C395MCC	BO2001-2000-C395YES	BO2001-2000-C395MCS
	2100 - 2500 mm	BO2001-2500-C395YEZ	BO2001-2500-C395M CZ	BO2001-2500-C395YEC	BO2001-2500-C395MCC	BO2001-2500-C395YES	BO2001-2500-C395MCS
TB 2R	1200 mm	BO2000-1200-C295TYEZ	BO2000-1200-C295TM CZ	BO2000-1200-C295TYEC	BO2000-1200-C295TMCC	BO2000-1200-C295TYES	BO2000-1200-C295TMCS
	1201 - 1525 mm	BO2001-1500-C295TYEZ	BO2001-1500-C295TM CZ	BO2001-1500-C295TYEC	BO2001-1500-C295TMCC	BO2001-1500-C295TYES	BO2001-1500-C295TMCS
	1600 - 2000 mm	BO2001-2000-C295TYEZ	BO2001-2000-C295TM CZ	BO2001-2000-C295TYEC	BO2001-2000-C295TMCC	BO2001-2000-C295TYES	BO2001-2000-C295TMCS
	2100 - 2500 mm	BO2001-2500-C295TYEZ	BO2001-2500-C295TM CZ	BO2001-2500-C295TYEC	BO2001-2500-C295TMCC	BO2001-2500-C295TYES	BO2001-2500-C295TMCS

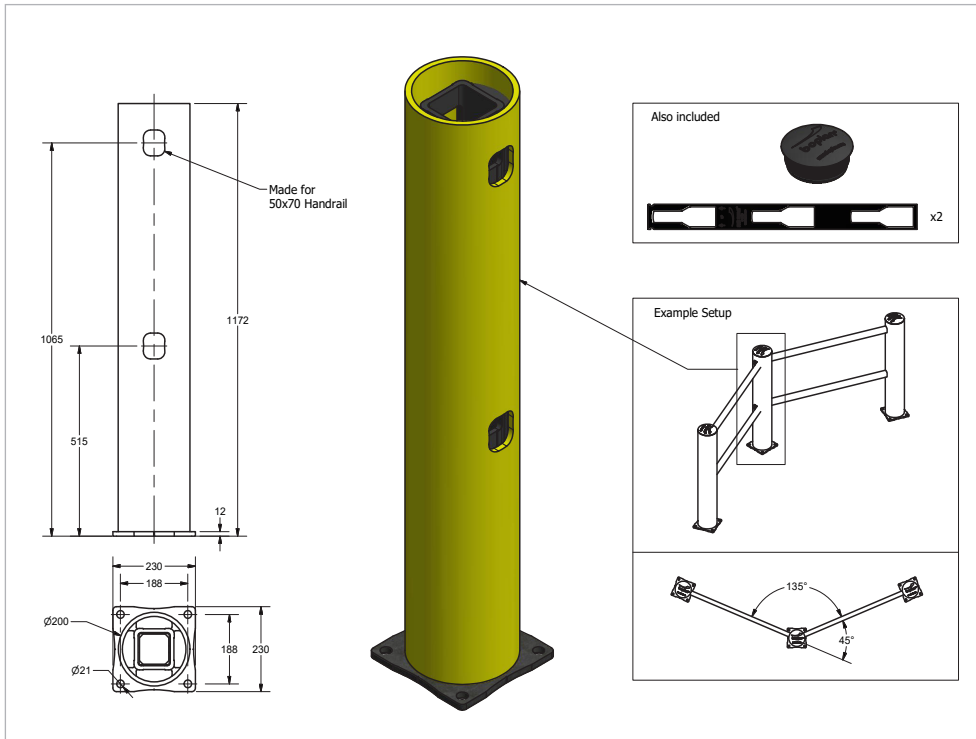


S = Stainless steel (=inox = RVS)  
 Z = Zinc coated (=galvanized)  
 C = chamfered  
 YE = Yellow  
 MC = Multicolor



**BOLLARD CORNER POST 45° (CP) - with handrails R50**

		ZINC COATED (ZC) Non - countersunk		ZINC COATED (ZC) COUNTERSUNK		STAINLESS STEEL (SS) Non - countersunk	
		YELLOW	MULTICOLOR	YELLOW	MULTICOLOR	YELLOW	MULTICOLOR
2R	1200 mm	BO2000-1200-C245HYEZ	BO2000-1200-C245HMCZ	BO2000-1200-C245HYEC	BO2000-1200-C245HMCC	BO2000-1200-C245HYES	BO2000-1200-C245HMCS
	1201 - 1525 mm	BO2001-1525-C245HYEZ	BO2001-1525-C245HMCZ	BO2001-1525-C245HYEC	BO2001-1525-C245HMCC	BO2001-1525-C245HYES	BO2001-1525-C245HMCS
	1600 - 2000 mm	BO2001-2000-C245HYEZ	BO2001-2000-C245HMCZ	BO2001-2000-C245HYEC	BO2001-2000-C245HMCC	BO2001-2000-C245HYES	BO2001-2000-C245HMCS
	2100 - 2500 mm	BO2001-2500-C245HYEZ	BO2001-2500-C245HMCZ	BO2001-2500-C245HYEC	BO2001-2500-C245HMCC	BO2001-2500-C245HYES	BO2001-2500-C245HMCS
3R	1200 mm	BO2000-1200-C345YEZ	BO2000-1200-C345MCZ	BO2000-1200-C345YEC	BO2000-1200-C345MCC	BO2000-1200-C345YES	BO2000-1200-C345MCS
	1201 - 1525 mm	BO2001-1500-C345YEZ	BO2001-1525-C345MCZ	BO2001-1500-C345YEC	BO2001-1525-C345MCC	BO2001-1500-C345YES	BO2001-1525-C345MCS
	1600 - 2000 mm	BO2001-2000-C345YEZ	BO2001-2000-C345MCZ	BO2001-2000-C345YEC	BO2001-2000-C345MCC	BO2001-2000-C345YES	BO2001-2000-C345MCS
	2100 - 2500 mm	BO2001-2500-C345YEZ	BO2001-2500-C345MCZ	BO2001-2500-C345YEC	BO2001-2500-C345MCC	BO2001-2500-C345YES	BO2001-2500-C345MCS
TB 2R	1200 mm	BO2000-1200-C245TYEZ	BO2000-1200-C245TMCZ	BO2000-1200-C245TYEC	BO2000-1200-C245TMCC	BO2000-1200-C245TYES	BO2000-1200-C245TMCS
	1201 - 1525 mm	BO2001-1500-C245TYEZ	BO2001-1500-C245TMCZ	BO2001-1500-C245TYEC	BO2001-1500-C245TMCC	BO2001-1500-C245TYES	BO2001-1500-C245TMCS
	1600 - 2000 mm	BO2001-2000-C245TYEZ	BO2001-2000-C245TMCZ	BO2001-2000-C245TYEC	BO2001-2000-C245TMCC	BO2001-2000-C245TYES	BO2001-2000-C245TMCS
	2100 - 2500 mm	BO2001-2500-C245TYEZ	BO2001-2500-C245TMCZ	BO2001-2500-C245TYEC	BO2001-2500-C245TMCC	BO2001-2500-C245TYES	BO2001-2500-C245TMCS



S = Stainless steel (=inox = RVS)  
 Z = Zinc coated (=galvanized)  
 C = chamfered  
 YE = Yellow  
 MC = Multicolor



STRIPES			
	Black	White	Yellow
1 STRIPE	PA0300-0200-0001BL	PA0300-0200-0001WH	PA0300-0200-0001YE
2 STRIPES	PA0300-0200-0002BL	PA0300-0200-0002WH	PA0300-0200-0002YE
3 STRIPES	PA0300-0200-0003BL	PA0300-0200-0003WH	PA0300-0200-0003YE



Remark: Stripes cannot be ordered separately



### REMOVABLE BASE PLATE (SLIDER)

PA0140-0275-0315  
 For situations when a post needs to be removed regularly.  
 Important remark: The slider has an orientation.  
 The opening needs to be directed towards the traffic.